

RED INDICATES ORIGINAL

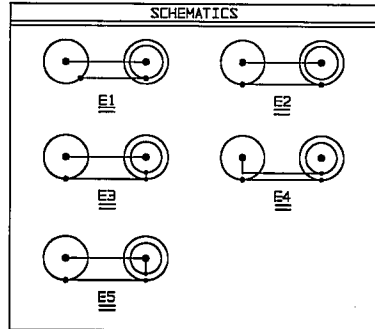
DWG SIZE
D

DATA CONTAINED IN THIS DOCUMENT IS PROPRIETARY TO TROMPETER ELECTRONICS, INC. AND SHALL NOT BE DISCLOSED, COPIED OR USED FOR REPRODUCTION OR MANUFACTURE WITHOUT EXPRESS WRITTEN PERMISSION.

REV		ED	DESCRIPTION	DWN	APPROVED	DATE
E	12308		SH 2, ITEM 21 WAS B-1373-4, SEE ECO	DKC	JAM NAM	5/18/98

P2 CONN TYPE	FIG NO	P1 CONN TYPE								
		PL95				LPL95				
		E1	E2	E3	E5	E1	E2	E3	E5	
		DASH NO								
BJ89	1A	-1	-2	-3	-73	-4	-5	-6	-85	-97
BJ89	1B	-7	-8	-9	-74	-10	-11	-12	-86	-98
BJ89	1A	-13	-14	-15	-75	-16	-17	-18	-87	-99
BJ89F	2A	-19	-20	-21	-76	-22	-23	-24	-88	-100
BJ89F	2B	-25	-26	-27	-77	-28	-29	-30	-89	-101
BJ89F	2A	-31	-32	-33	-78	-34	-35	-36	-90	-102
CJ80	3A	-37	-38	-39	-79	-40	-41	-42	-91	-103
CJ80	3B	-43	-44	-45	-80	-46	-47	-48	-92	-104
CJ80	3A	-49	-50	-51	-81	-52	-53	-54	-93	-105
PL80	4A	-55	-56	-57	-82	-58	-59	-60	-94	-106
PL80	4B	-61	-62	-63	-83	-64	-65	-66	-95	-107
PL80	4A	-67	-68	-69	-84	-70	-71	-72	-96	-108

INCH	MM
.005	0.13
.030	0.76
.120	3.04
.250	6.35
.685	17.40
.690	17.48
.690	17.53
.695	17.65
.755	19.18
.765	19.43
.827	21.00
.844	21.44
1.000	25.40
1.077	27.38
3.248	82.45
3.416	86.77



- EXAMPLE OF COMPLETE MODEL NO:
AD - PL95 - E1 - BJ89
ADAPTER (P1) CONN TYPE (P2) CONN TYPE SCHEMATIC
- EXAMPLE OF COMPLETE PART NO:
12-13-1
BASIC PART NO DASH NO
- BETWEEN SERIES ADAPTER, 50 & 75 OHM "N" TYPE PLUG TO 2-LUG, 3-LUG AND THREADED 80 SERIES, "D" HOLE AND FLANGE MOUNT RECEPTACLES AND PLUGS
- FINISH: TFS-1A (NICKEL)
- ALL DIM ARE IN INCHES

FIG 1A(P1)
-1 SHOWN
-8 SHOWN
FIG 1B(P1)

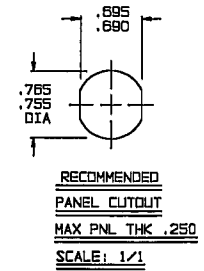
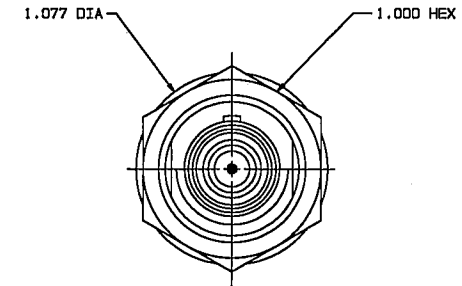
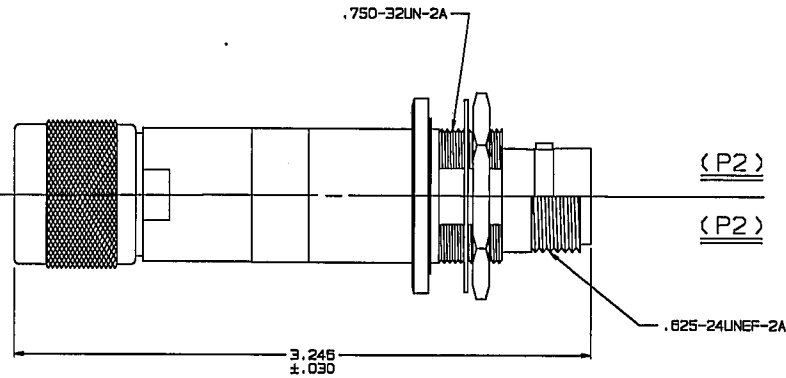


FIG 2A(P1)
-21 SHOWN
-26 SHOWN
FIG 2B(P1)

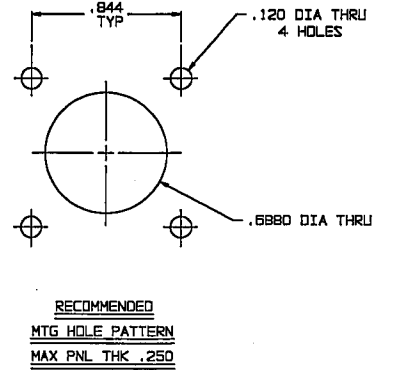
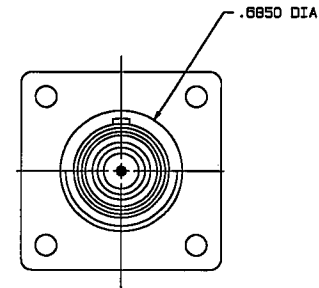
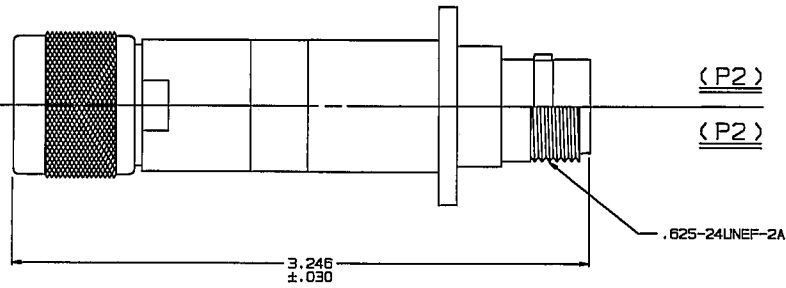


FIG 3A(P1)
-40 SHOWN
-43 SHOWN
FIG 3B(P1)

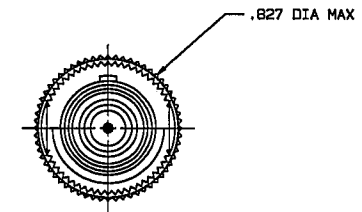
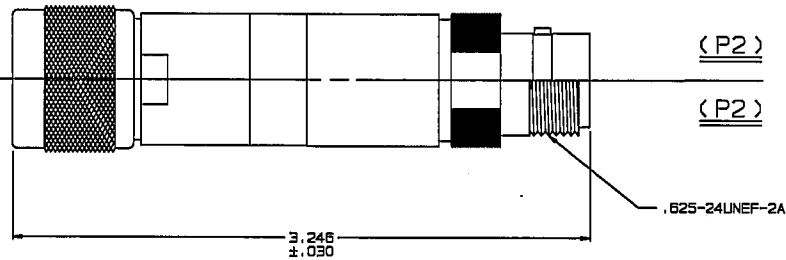
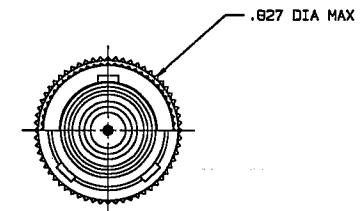
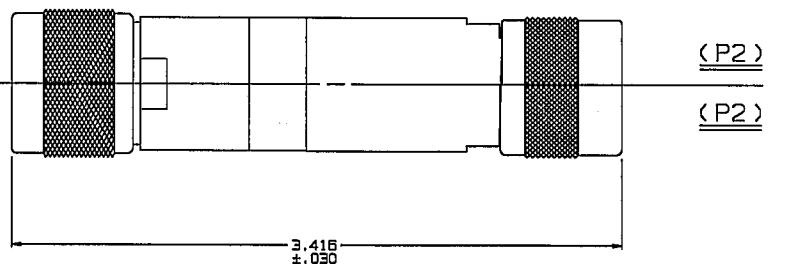


FIG 4A(P1)
-55 SHOWN
-61 SHOWN
FIG 4B(P1)



QTY	DESCRIPTION	PART NUMBER	ITEM
TOL UNLESS SPECIFIED .XX ± .XXX ± .005 .XXXX ± ANGLES ±	TROMPETER ELECTRONICS, INC.	ADAPTERS; L/PL95 SERIES TO COMPLETE *80* SERIES	
DWN DKC 3-18-98	MATERIAL	CODE IDENT	DRAWING NO.
CHK JAM 4-16-98		14949	12-13
ENGR			E
APPR JAM 5/18/98	SCALE 2/1	DATE 2-20-87	SHEET 1 OF 2