

HC-A16-I-PT-F - Contact insert



1585388

<https://www.phoenixcontact.com/us/products/1585388>

Please be informed that the data shown in this PDF document is generated from our Online Catalog. Please find the complete data in the user documentation. Our General Terms of Use for Downloads are valid.



Contact insert, number of positions: 16+PE, size: D25, number of connections per position: 1, Socket, Push-in connection, 250 V, 16 A, 0.14 mm² ... 2.5 mm²

Your advantages

- Easy installation without tools, even when mounted, with push-in connection technology
- Shortest installation time compared to other connection technologies
- Quick and effortless wiring, in particular when space is tight
- Automatic cabling with robots possible
- Safe wiring and operation with color-coded actuators
- Shock and vibration-resistant in accordance with DIN EN 61373
- Cost-effective and fast coding with plastic profiles

Commercial Data

Item number	1585388
Packing unit	1 pc
Minimum order quantity	1 pc
Sales Key	BF61
Product Key	BF7ABB
Catalog Page	Page 521 (C-2-2019)
GTIN	4046356285117
Weight per Piece (including packing)	59.2 g
Weight per Piece (excluding packing)	59.2 g
Customs tariff number	85366990
Country of origin	CN

HC-A16-I-PT-F - Contact insert



1585388

<https://www.phoenixcontact.com/us/products/1585388>

Technical Data

Notes

General	only use flexible conductors with ferrules
General	Connectors may be operated only when there is no load/voltage.
General	for HC-D25 / HC-D 50 housing

Mounting

Assembly instructions	To ensure correct use, installation in housing with IP54 protection or better is required for plastic coding profiles: 4 pcs.
-----------------------	--

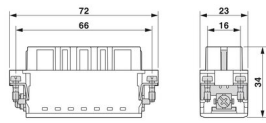
Product properties

Type	D25 D50
Product type	Contact insert with a fixed no. of positions
Number of positions	16
Connection profile	16+PE
Contact numbering	1 - 16
Number of connections per position	1
Contact type	rolled
Series	HC-A
Screwdriver blade	0.5 x 3.5 mm

Insulation characteristics

Overvoltage category	III
Degree of pollution	3

Dimensions

Dimensional drawing	
Width	23 mm
Height	31.5 mm
Length	72 mm
Drill hole distance, horizontal	66 mm
Drill hole distance, vertical	16 mm

Mechanical characteristics

Contact diameter	2.5 mm
------------------	--------

Connection data

Connection technology

HC-A16-I-PT-F - Contact insert



1585388

<https://www.phoenixcontact.com/us/products/1585388>

Connection technology	Push-in connection
Number of connections per position	1

Conductor connection

Conductor cross section	0.14 mm ² ... 2.5 mm ²
Connection cross section AWG	26 ... 14
Tightening torque	0.7 Nm ... 1 Nm (PE connection) 0.5 Nm ... 0.8 Nm (Mounting screws for mounting in the HEAVYCON housing)
Stripping length of the individual wire	8 mm

Electrical properties

Rated voltage (III/3)	250 V
Rated surge voltage	4 kV 4 kV
Rated current	16 A

Mechanical properties

Mechanical data

Insertion/withdrawal cycles	≥ 500
-----------------------------	-------

Material specifications

Color	light grey
Flammability rating according to UL 94	V0
Contact material	Copper alloy
Contact surface material	Ag
Contact carrier material	PC
Standards/regulations	PC: Fire protection in rail vehicles - requirement sets R22, R23, and R24 acc. to DIN EN 45545-2 (Risk level HL1 - HL3)

Environmental and real-life conditions

Ambient conditions

Ambient temperature (operation)	-40 °C ... 125 °C (including heating up of contacts)
---------------------------------	--

Standards and regulations

Testing

Standards/regulations	PC: Fire protection in rail vehicles - requirement sets R22, R23, and R24 acc. to DIN EN 45545-2 (Risk level HL1 - HL3)
-----------------------	---

HC-A16-I-PT-F - Contact insert

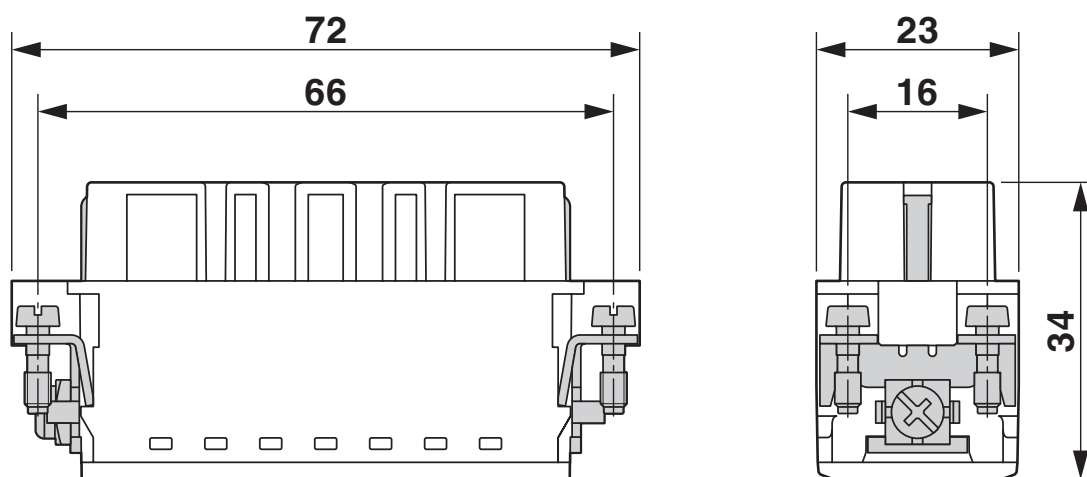


1585388

<https://www.phoenixcontact.com/us/products/1585388>

Drawings

Dimensional drawing



Female insert

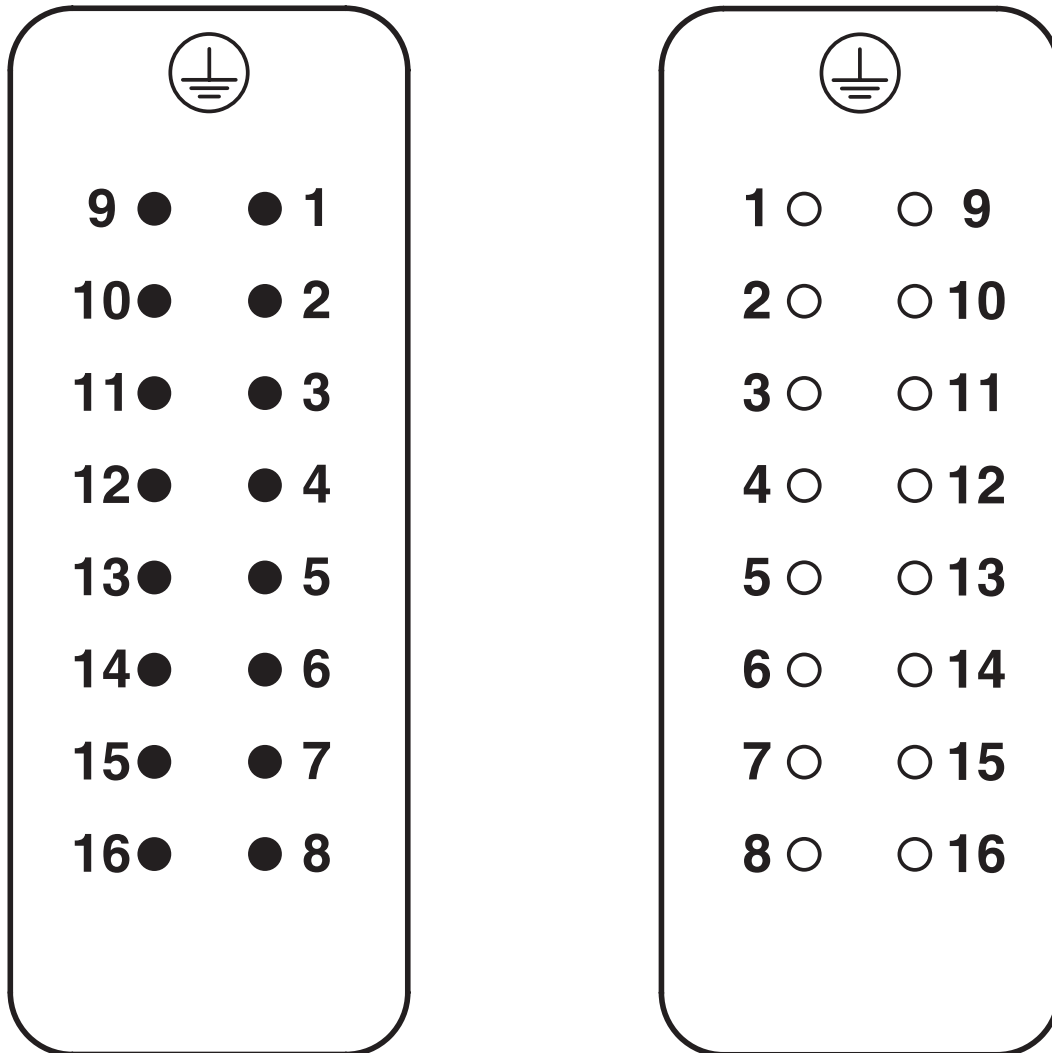
HC-A16-I-PT-F - Contact insert



1585388

<https://www.phoenixcontact.com/us/products/1585388>

Schematic diagram



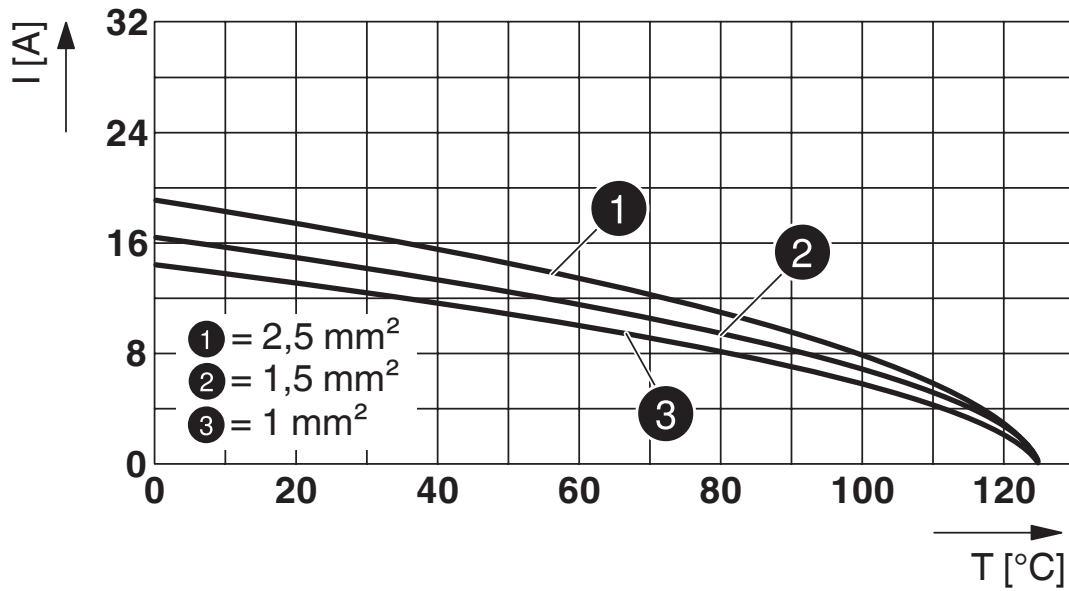
Connector pin assignment, connection side

HC-A16-I-PT-F - Contact insert

1585388

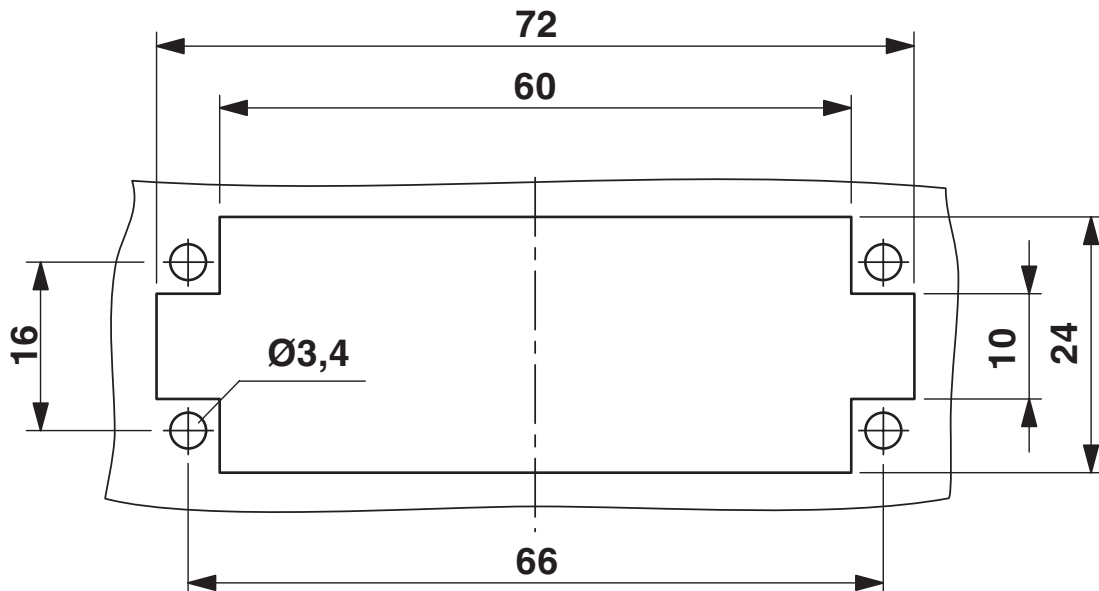
<https://www.phoenixcontact.com/us/products/1585388>

Diagram



Derating diagram

Dimensional drawing



Mounting cutout when used without housing

HC-A16-I-PT-F - Contact insert




1585388

<https://www.phoenixcontact.com/us/products/1585388>

Approvals

 CSA Approval ID: 13631	Nominal Voltage U_N	Nominal Current I_N	Cross Section AWG	Cross Section mm^2
	600 V	13 A	- 14	-

 UL Recognized Approval ID: E118976	Nominal Voltage U_N	Nominal Current I_N	Cross Section AWG	Cross Section mm^2
	600 V	16 A	- 14	-

 EAC Approval ID: EAC-Zulassung
--

 EAC Approval ID: RU C-DE.BL08.B.00511

 UL Recognized Approval ID: E468743	Nominal Voltage U_N	Nominal Current I_N	Cross Section AWG	Cross Section mm^2
	600 V	16 A	-	-

HC-A16-I-PT-F - Contact insert



1585388

<https://www.phoenixcontact.com/us/products/1585388>

Classifications

ECLASS

ECLASS-11.0	27440205
ECLASS-12.0	27440205
ECLASS-13.0	27440205

ETIM

ETIM 8.0	EC000438
----------	----------

UNSPSC

UNSPSC 21.0	39121500
-------------	----------

HC-A16-I-PT-F - Contact insert



1585388

<https://www.phoenixcontact.com/us/products/1585388>

Environmental Product Compliance

China RoHS	Environmentally friendly use period: unlimited = EFUP-e
	No hazardous substances above threshold values

HC-A16-I-PT-F - Contact insert

1585388

<https://www.phoenixcontact.com/us/products/1585388>



Accessories

CP-HC-S - Coding profile

1410916

<https://www.phoenixcontact.com/us/products/1410916>

Coding profile, for contact inserts HC-BB... / HC-A10... / HC-A16...



HC-CB - Coding bolt

1772722

<https://www.phoenixcontact.com/us/products/1772722>

Coding pin, prevents mismatching of up to six connectors with an identical number of positions



HC-A16-I-PT-F - Contact insert

1585388

<https://www.phoenixcontact.com/us/products/1585388>



HC-CST - Coding element

1676857

<https://www.phoenixcontact.com/us/products/1676857>



Coding peg for coding up to 16 connectors

HC-CBU - Coding element

1676860

<https://www.phoenixcontact.com/us/products/1676860>



Coding socket for coding up to 16 connectors

HC-A16-I-PT-F - Contact insert

1585388

<https://www.phoenixcontact.com/us/products/1585388>



HC-A-PE-PT - Adapter

1054712

<https://www.phoenixcontact.com/us/products/1054712>



PE adapter with PT connection, for 1 PE connection, for HC-A10 / HC-A16 / HC-D15 / HC-D25 series contact inserts

HC-A-PES - Screw

1584868

<https://www.phoenixcontact.com/us/products/1584868>



PE screw for contact inserts of A series

HC-A16-I-PT-F - Contact insert

1585388

<https://www.phoenixcontact.com/us/products/1585388>



CRIMPFOX CENTRUS 6S - Crimping pliers

1213144

<https://www.phoenixcontact.com/us/products/1213144>



Crimping pliers, for uninsulated and insulated ferrules, DIN 46228 Part 1 and 4, from 0.14 mm² ... 6 mm², also for TWIN ferrules up to 2 x 4 mm², automatic cross section adjustment, lateral insertion, equipped with fall protection

CRIMPFOX 6 - Crimping pliers

1212034

<https://www.phoenixcontact.com/us/products/1212034>



Crimping pliers, for ferrules without insulating collar according to DIN 46228 Part 1 and ferrules with insulating collar according to DIN 46228 Part 4, 0.25 mm² ... 6.0 mm², lateral entry, trapezoidal crimp

HC-A16-I-PT-F - Contact insert

1585388

<https://www.phoenixcontact.com/us/products/1585388>



CF CRIMPHANDY 0,5 - Electrical crimping tool

1212463

<https://www.phoenixcontact.com/us/products/1212463>



Mobile handheld device, battery-powered, for processing on-tape ferrules 0.5 mm² with functional end, suitable for PVC insulated conductors (H05V-K), incl. battery, charger, CUTFOX 12 cable cutter, waste guide plate 2, service tool for error correction, and one strip of ferrules 0.5 mm², packed in a robust case.

CF CRIMPHANDY 0,75 - Electrical crimping tool

1212464

<https://www.phoenixcontact.com/us/products/1212464>



Mobile handheld device, battery-powered, for processing on-tape ferrules 0.75 mm² with functional end, suitable for PVC insulated conductors (H05V-K), incl. battery, charger, CUTFOX 12 cable cutter, waste guide plate 2, service tool for error correction, and one strip of ferrules 0.75 mm², packed in a robust case.

HC-A16-I-PT-F - Contact insert

1585388

<https://www.phoenixcontact.com/us/products/1585388>



CF CRIMPHANDY 1,0 - Electrical crimping tool

1212465

<https://www.phoenixcontact.com/us/products/1212465>



Mobile handheld device, battery-powered, for processing on-tape ferrules 1.0 mm² with functional end, suitable for PVC insulated conductors (H05V-K), incl. battery, charger, CUTFOX 12 cable cutter, waste guide plate 2, service tool for error correction, and one strip of ferrules 1.0 mm², packed in a robust case.

CF CRIMPHANDY 1,5 - Electrical crimping tool

1212466

<https://www.phoenixcontact.com/us/products/1212466>



Mobile handheld device, battery-powered, for processing on-tape ferrules 1.5 mm² with functional end, suitable for PVC insulated conductors (H07V-K), incl. battery, charger, CUTFOX 12 cable cutter, waste guide plate 2, service tool for error correction, and one strip of ferrules 1.5 mm², packed in a robust case.

HC-A16-I-PT-F - Contact insert

1585388

<https://www.phoenixcontact.com/us/products/1585388>



HC-A16-I-PT-M - Contact insert

1585375

<https://www.phoenixcontact.com/us/products/1585375>



Contact insert, number of positions: 16+PE, size: D25, number of connections per position: 1, Pin, Push-in connection, 250 V, 16 A, 0.14 mm² ... 2.5 mm²

Phoenix Contact 2023 © - all rights reserved

<https://www.phoenixcontact.com>

Phoenix Contact USA
586 Fulling Mill Road
Middletown, PA 17057, United States
(+717) 944-1300
info@phoenixcon.com