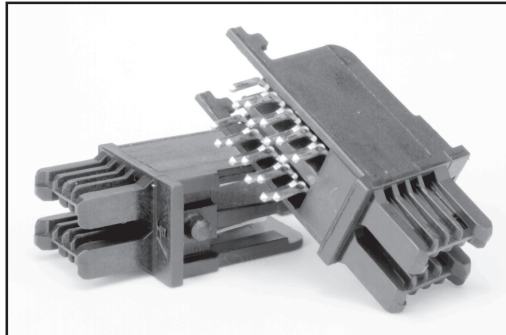
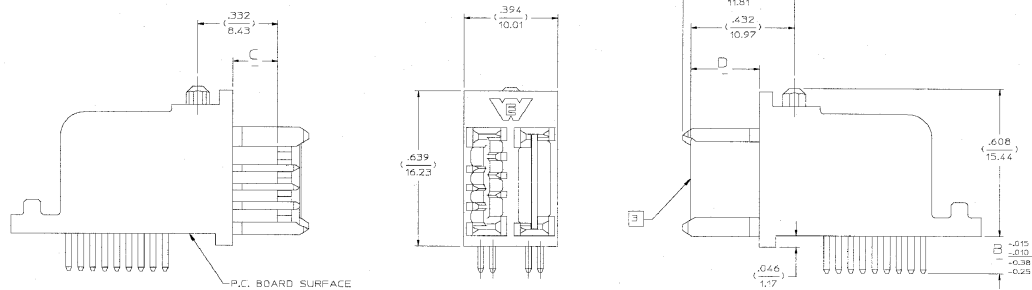


POWER MODULE

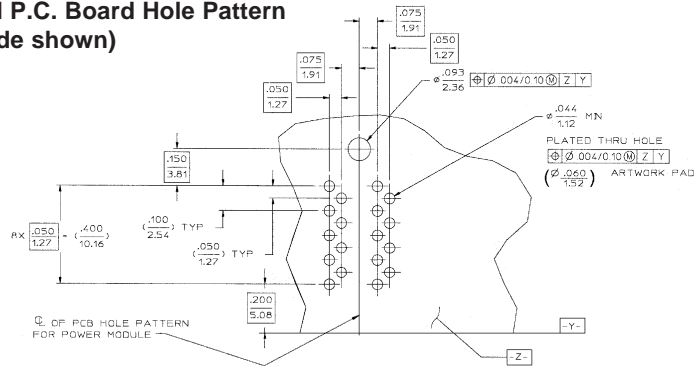


Winchester Electronics understands the needs of our customers for more and more power in their systems. To satisfy these needs, we now offer a 30 Amp power contact in the HD+® connector system that takes no additional real estate. Each power module consists of two contacts that can carry up to 30 Amps each to give you **60 Amps per module!**

Part Number HRP420302△△ Shown



Recommended P.C. Board Hole Pattern (component side shown)



ORDERING INFORMATION

H RP 42

Step 1
Series Code:
High Density

Step 2
Connector Type:
RP = Right Angle, Power Module

Step 3
Module Type:
42 = 4 Row, HD+2™

Step 4
Blade Height:

Code	Description	C	D
01	VLOW/VLOW		(.187/4.75)
02	VLOW/LOW	(.187/4.75)	(.227/5.76)
03	VLOW/HIGH		(.287/7.29)
04	LOW/VLOW		(.187/4.75)
05	LOW/LOW	(.227/5.76)	(.227/5.76)
06	LOW/HIGH		(.287/7.29)
07	HIGH/VLOW		(.187/4.75)
08	HIGH/LOW	(.287/7.29)	(.227/5.76)
09	HIGH/HIGH		(.287/7.29)

Step 5
Tail Length:

Code	B
01	.125
02	.150

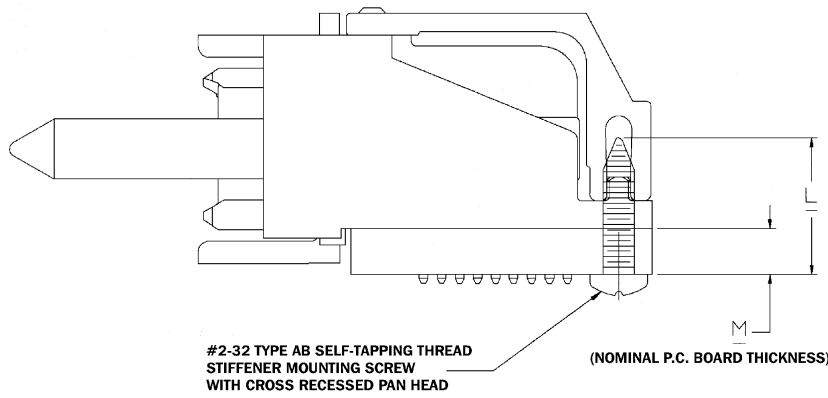
Step 6
Selective Plating Pin Contact:
See selective plating chart below

Selective Plating Chart

Code	Description	Mating Area	Solder Tail Area
GJ	Blade Contacts	.000050 0.00127 Min Gold	.000100 0.00254 Min Tin-Lead

MOUNTING SCREWS

Typical Final Assembly Connector Shown Assembled To P.C. Board

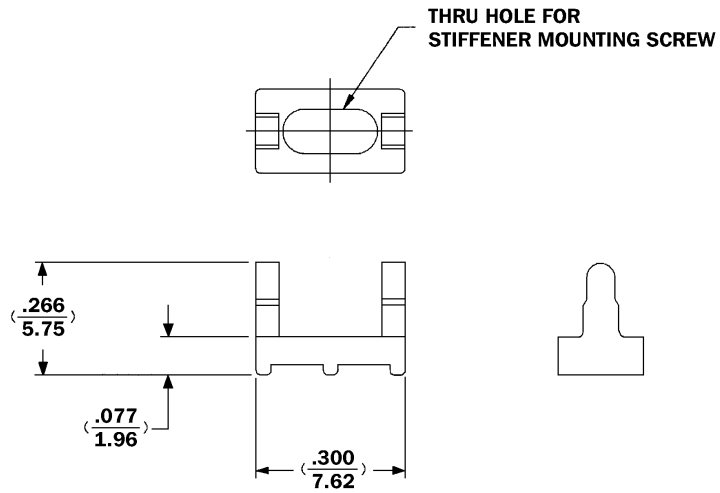


113069-1	.375 9.53	.094 TO .166 2.38 4.22
113069	.312 7.92	.031 TO .093 0.79 2.36
PART NO	L	M

Mounting screw part number 113069-1 shown in final connector assembly

MOUNTING SPACER

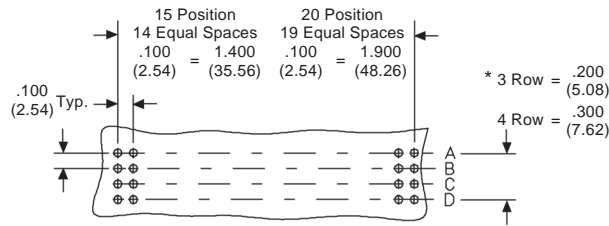
Consult Factory For Use On Stiffeners Containing Unsupported Spans



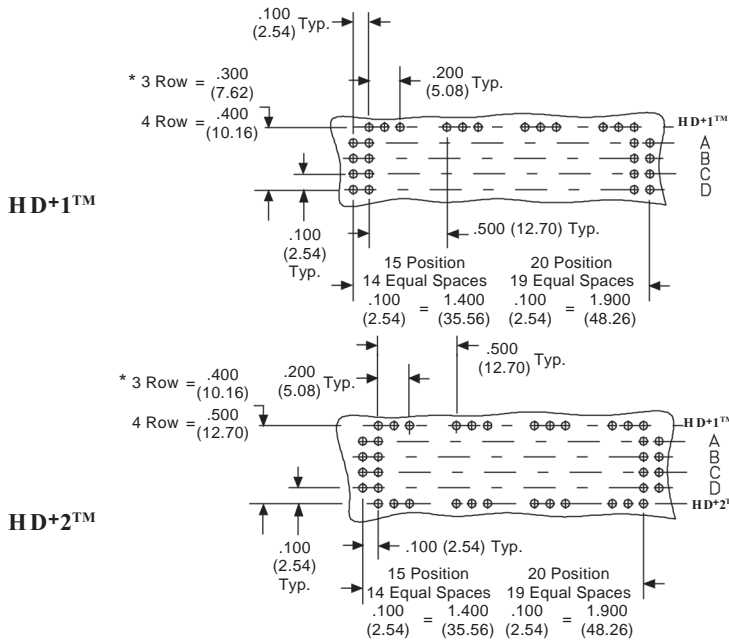
Part Number 113000 Shown

Pin Module 3 and 4 Row 15 and 20 Positions

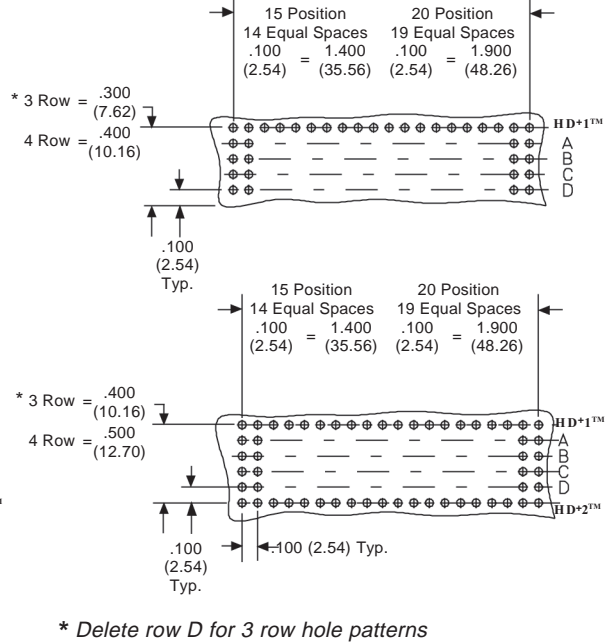
HD+® — Code 0



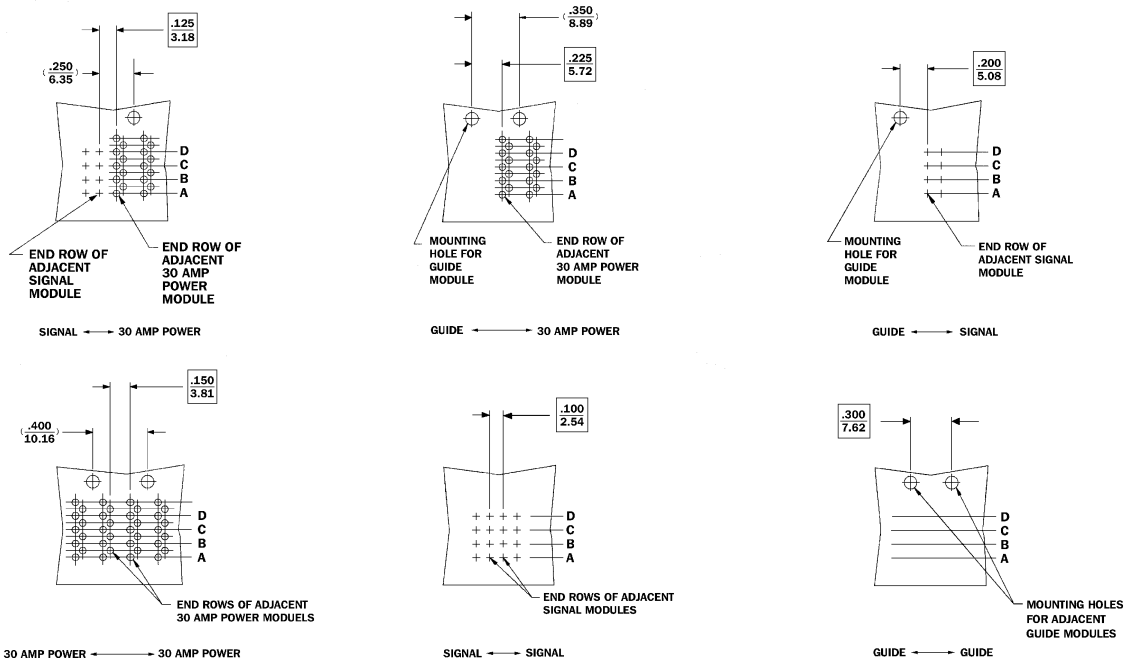
HD+1™ & HD+2™ Contact — Code 1, 2 or 5



HD+1™ & HD+2™ Contact — Code 3, 4 or 6

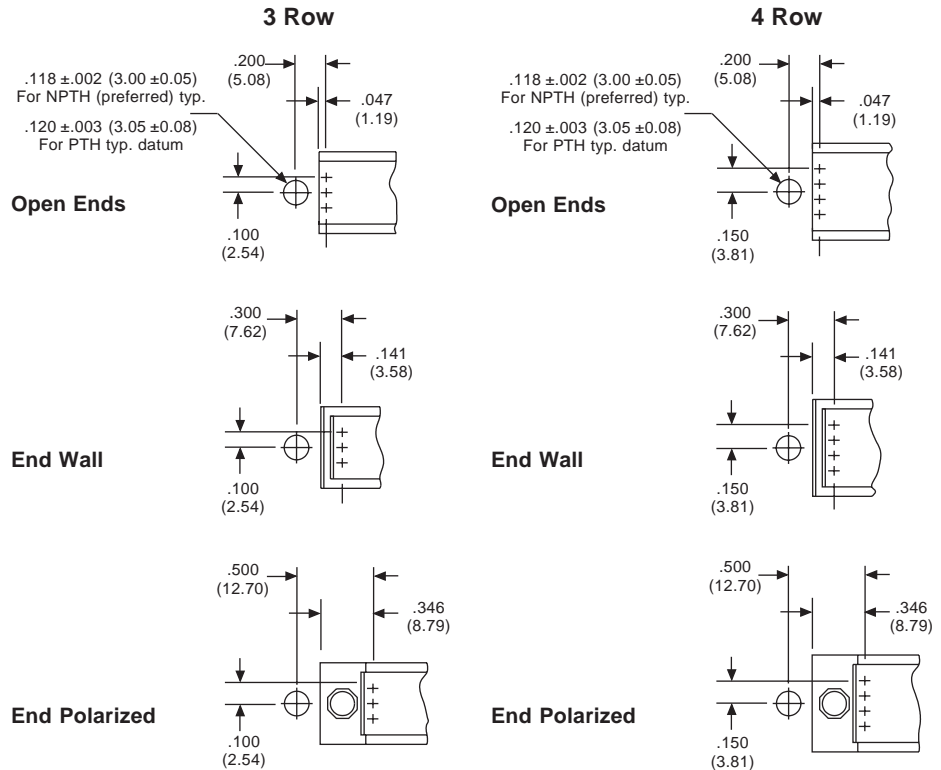


Right Angle HD+®



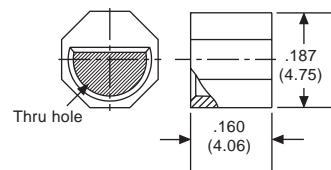
Recommended Mounting Hole Patterns

Guide pin holes are shown at the minimum spacing required for guide pin modules to be end stackable.



Note: Refer to Litton Electronic System Packaging **HD+®** Backpanel Design Guide for accessory configurations not shown.

Polarization Bushing

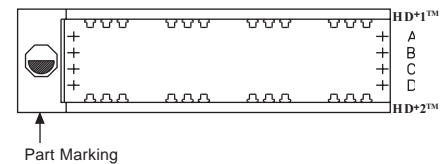


Part Number 113037-2

Material: Sintered stainless steel. Order separately under part number **113037-2**. Bushing press fits into pin connector with installation tool part number **107-43240**.

Removal Tool: Part number **107-43241**

Consult factory to order bushings preassembled into pin connector.



Code A Shown

Note: Orientation with respect to row designation for mating connectors.

Polarization Style			
Code	Clocking Position	Code	Clocking Position
A		E	
B		F	
C		G	
D		H	