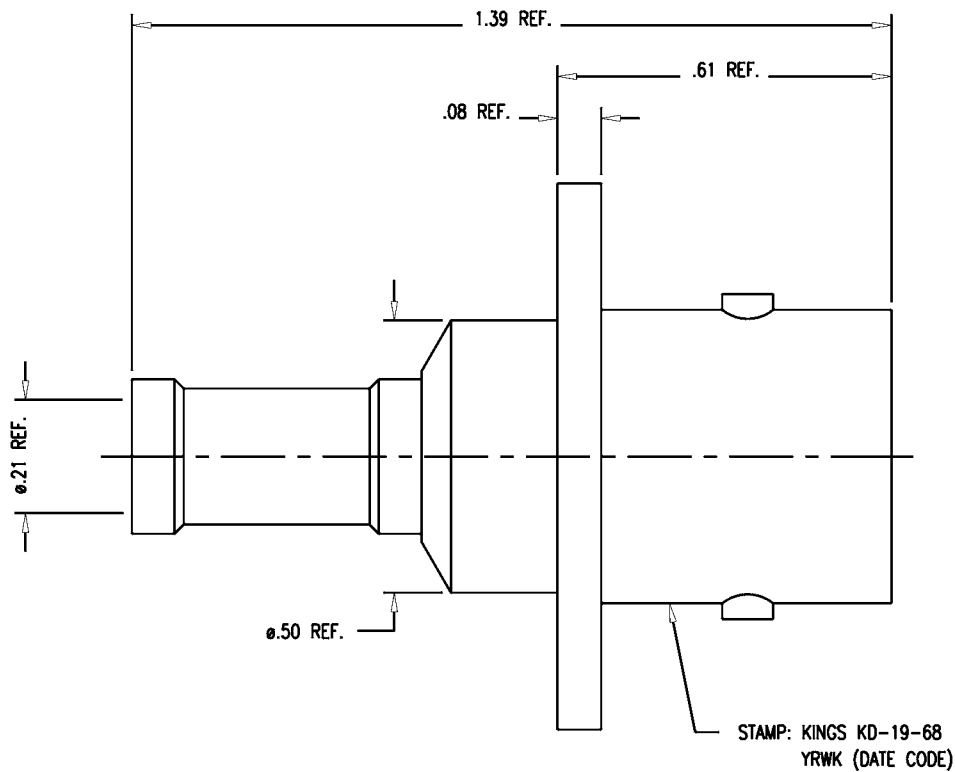
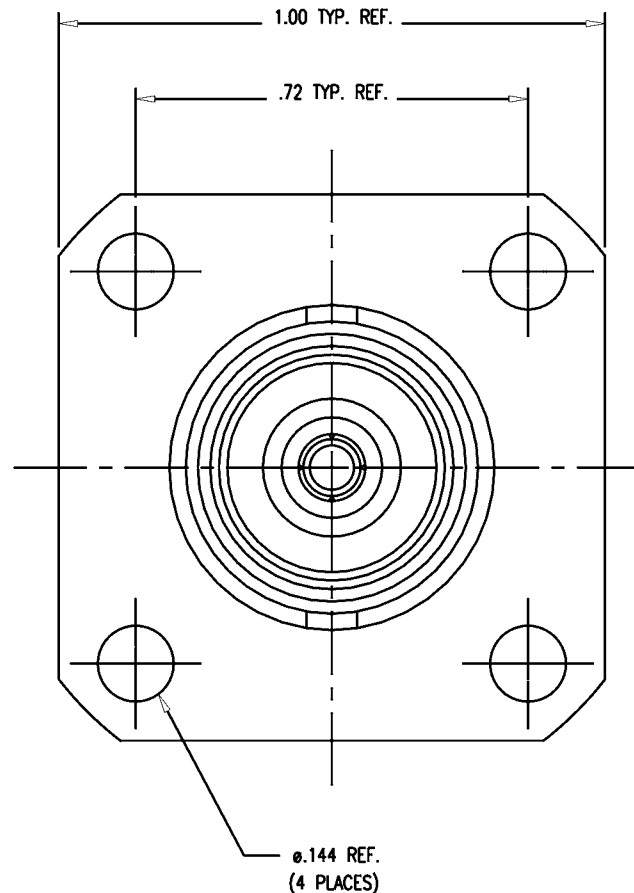


SD



NOTES:

- FOR USE WITH RG-58C/U, BA 5903 & RAYCHEM 09-058 CABLE.
- FOR CABLING INSTRUCTIONS SEE CP-5406.
- FOR CRIMPING USE DIE KTH-2101.
- INTERFACE PER MIL-STD-348, FIG. 302-2.
- MARK PACKAGE: KINGS KD-19-68
YRWK (DATE CODE)
- MATERIALS:
INSULATOR-TEFLON, ASTM-D-1457
K-GRIP SLEEVE-COMMERCIAL BRONZE, ALLOY 220
CENTER CONTACT-BER. COP., ASTM-B-196
ALL OTHER METAL PARTS-BRASS, ASTM-B16
- FINISHES:
CENTER CONTACT-GOLD PLATE PER MIL-G-45204
ALL OTHER METAL PARTS-KINGS TARNISH RESISTANT NICKEL FINISH (TR-5)
- ELECTRIAL CHARACTERISTICS:
NOMINAL IMPEDANCE-50 OHMS
FREQUENCY RANGE-DC TO 11 GHZ
WORKING VOLTAGE-1000 VRMS

KD-19-68
(SHEET 1 OF 2)

REVISIONS

ISSUE	CHANGES
7	CN 37543 B REDRAWN KH 01/22/98

00000E43

SCALE 4:1

APPROX SURFACE AREA

USED ON

REF: BOEING

JK, PNL, C

DRAWN JL DATE 11/12/75

DESIGN LJ DATE 11/22/75

APPR. DATE

KINGS
ELECTRONICS CO., INC.
TUCKAHOE, NEW YORK 10707

KD-19-68
(SHEET 1 OF 2)

SD