

Futurebus+ central arbitration controller

FB2012A

GENERAL DESCRIPTION OF THE FB2012A

The FB2012A is the central arbitration controller for the Futurebus+ product family. When a module needs to send data to or obtain data from another module, it must first gain tenure of the bus. The FB2012A controls or arbitrates tenure of the bus to one module at a time.

The FB2012A includes BTL drivers and receivers for signals that use the Futurebus+ backplane. Since the request and grant lines are point-to-point, they need to be terminated only at the receiver. Request lines are terminated at the FB2012A, and grant lines are terminated at the individual Futurebus+ modules. If stub lengths to the FB2012A create problems for the RE* and PE* signals, an external BTL receiver may be used for RE* and an external BTL driver may be sourced by the TTL PE* signal. If the external BTL receiver is inverting, the resulting TTL signal (RE*) must be inverted as well.

GENERAL DESCRIPTION OF THE FUTUREBUS+ CENTRAL ARBITRATION PROTOCOL

A requesting module asserts either a level-1 (RQH*) or a level-0 (RQL*) request to obtain bus mastership. A low-priority (level-0) request may become a high-priority request by leaving the low-priority request asserted while also asserting the corresponding high-priority (level-1) request.

A module may release the request(s) anytime after a grant is received from the FB2012A if the need for a bus transaction vanishes. Once a request is made, it may not be removed until the corresponding grant has been received (according to IEEE 896.1). (The FB2012A gives the user the option to release a request before the corresponding grant is asserted or to follow IEEE 896.1.)

A requesting module becomes the bus master only after it receives the bus grant and the current bus master releases its tenure (the current bus master has released its request, but may still be in the middle of a transaction). This condition is indicated by the continued assertion of ET*. When the current bus master has finished its transaction and has released the address/data bus, it releases ET*. Once the module with the asserted bus grant detects the release of ET*, it becomes the bus master and may begin its transaction. The bus master's request(s) must remain asserted until it asserts ET*. Refer to FUNCTIONAL WAVEFORMS.

The central arbiter asserts PE* to indicate that a preemptive condition exists and that the current bus master should relinquish the bus. The definition of the preemptive condition is described in the FUNCTIONAL DESCRIPTION section below.

FEATURES

- The Philips Semiconductors Central Arbitration Controller is compatible with the IEEE P896.1 Futurebus+ standard
- 14 level-1 first-come-first-served requests
- 14 level-0 first-come-first-served requests
- 14 bus grants
- Priority preemption
- Timing for Futurebus+ RE* signal
 - Bus initialization
 - System reset
- 68-pin PLCC package

QUICK REFERENCE DATA

SYMBOL	PARAMETER		TYPICAL	UNIT
t _{PLH}	Propagation delay		1.4	ns
t _{PHL}	RQXn to GRn		5.4	
C _O	Output capacitance		6	pF
I _{OL}	Output current	TTL outputs	4	mA
		BTL outputs	80	
I _{CC}	Supply current		80	mA

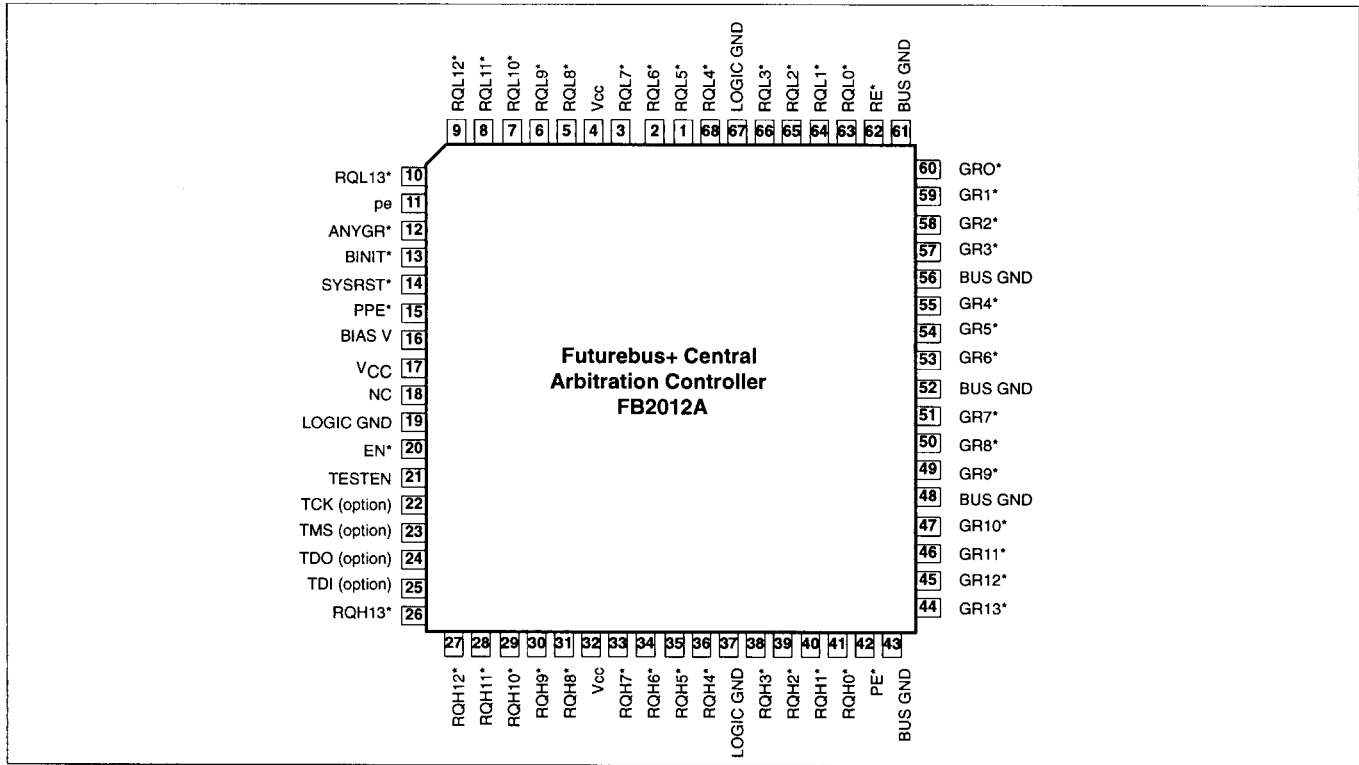
ORDERING INFORMATION

PACKAGE	COMMERCIAL RANGE V _{CC} = 5V±10%; T _{amb} = 0 to +70°C	INDUSTRIAL RANGE V _{CC} = 5V±10%; T _{amb} = -40 to +85°C	DWG No.
68-pin PLCC	FB2012AA	FB2012AA	0398E

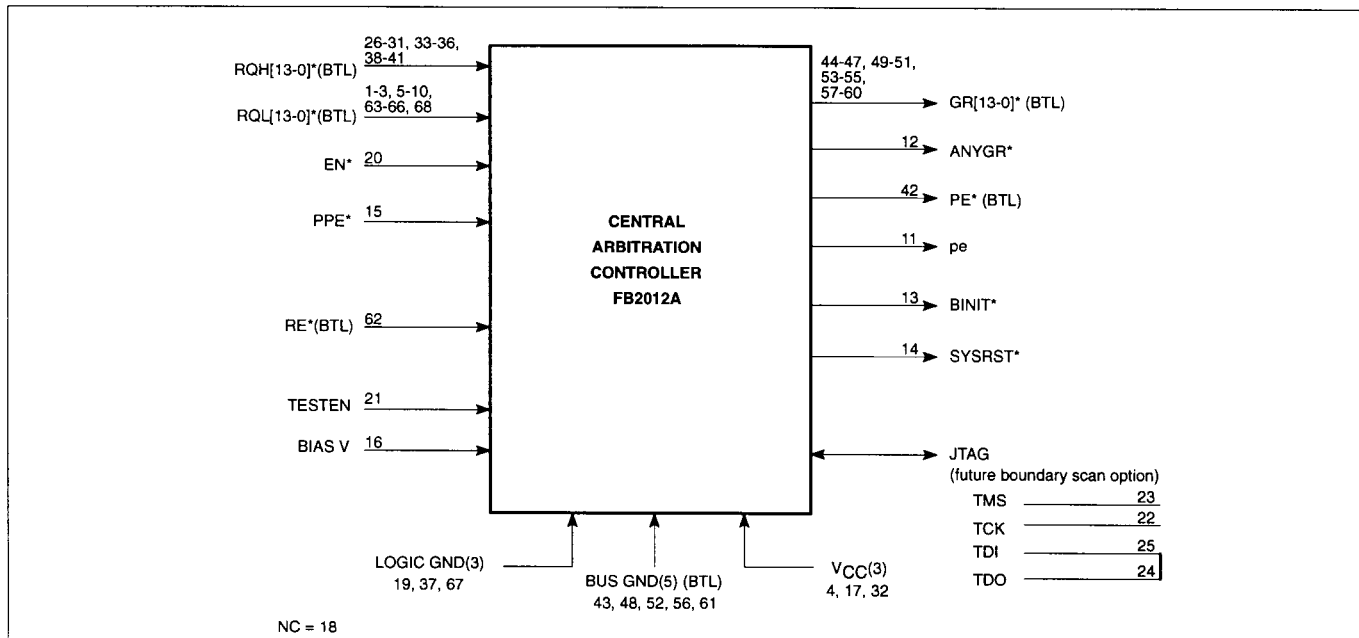
Futurebus+ central arbitration controller

FB2012A

PIN CONFIGURATION



LOGIC DIAGRAM



Futurebus+ central arbitration controller

FB2012A

FUNCTIONAL DESCRIPTION OF THE FB2012A

The FB2012A has two priority levels, each with 14 inputs. For ease of labeling, the two priority levels, labeled RQ1* and RQ0* in the Futurebus+ 896.1 specification, are labeled RQHn* (level-1) and RQLn* (level-0), respectively, on the FB2012A, where 'n' is the module number from 0 through 13. The assignment of a module to a particular request line has no significance; all requests (of a particular priority level) are treated identically. Once asserted, a request should remain asserted until the corresponding grant is received (according to IEEE 896.1). (If the user chooses to release a request before the corresponding grant is asserted, he may do so; the FB2012A allows this option.) Level-0 and level-1 requests may be asserted simultaneously. Refer to FUNCTIONAL WAVEFORMS for general functionality.

A grant will become active only after any metastable conditions involving its request(s) are resolved. Only one of the 14 grant lines will be active at a time. The order of serviced requests for each level is first-come-first-served (FCFS) — the request that has been asserted the longest receives the grant. However, level-0 requests are serviced only when no level-1 requests are asserted.

The grant outputs are enabled when the EN* input is Low. However, when EN* is released while a grant is active, the grant will remain active until the corresponding request(s) are released. Also, whenever a grant is asserted, the ANYGR* output signal will also be asserted.

The FB2012A has two preemption modes:

1. If the PPE* input is asserted (priority preemption mode), PE* and pe will be asserted whenever there is a level-1 request that is not being serviced while another grant is asserted. That is, the preemption lines will be asserted if more than one level-1 request is asserted or if a level-0 request is being serviced when a level-1 request(s) is asserted.
2. If PPE* is not asserted, PE* and pe will be asserted whenever two or more requests, regardless of their priority levels, are asserted. (Assertion of a level-1 request and a level-0 request from the same module is considered as a single request.)

The action taken by a module when PE* (and pe) are asserted is strictly up to the designer.

The FB2012A monitors RE* to detect the signaling of the bus initialize and system reset conditions. If the RE* input is asserted less than 2.0ms, neither BINIT* (bus initialize) nor SYSRST* (system reset) will be asserted. If RE* is asserted longer than 2.0ms, BINIT* may be asserted; and after 3.9ms BINIT* is guaranteed to be asserted. If RE* is asserted longer than 30ms, SYSRST* may be asserted; and after 60ms SYSRST* is also guaranteed to be asserted. If asserted, BINIT* and SYSRST* will be released after RE* has been released at least 60ns and no more than 140ns.

When BINIT* is asserted, future grants are disabled in the same way that they are disabled in response to the de-assertion of the EN* signal. (Normally all requests are removed during bus initialization). When SYSRST* is asserted, PE* (and pe) will also be forced into the asserted state independently of pre-emption conditions. After RE* has been continuously released for at least

1μs and for not more than 2.2μs, the grants are re-enabled and PE* (with pe) is released from its forced assertion, if it had entered one. (In some systems, the assertion of PE* for at least 1μs after the release of RE* (following system reset) is a condition that signals the presence of a central arbiter.)

To accommodate the possibility of a system requirement for redundant and removable FB2012A, a BIAS V input is provided to bias the internal BTL circuitry. This way the redundant FB2012A may be live inserted without disrupting system operation.

For designs with a single FB2012A, the BIAS V input should be connected to V_{CC}.

METASTABILITY CHARACTERISTICS OF THE FB2012A

One of the concerns when dealing with an asynchronous arbiter is understanding what would happen when competing requests arrive at the same time. Input requests are processed by a bank of mutual-exclusion elements. A mutual-exclusion element (ME) is a state-holding device that arbitrates between a pair of inputs. This is the point at which metastabilities can occur. The design of the ME precludes anomalous signaling by suppressing output assertion until metastabilities are resolved.

To determine the Mean Time Between Unacceptable Delays (MTBUD) the following formula is used:

$$\text{MTBUD} = \frac{\exp\left(\frac{t'}{\tau}\right)}{(T_0)(f_{r1}f_{r2})}$$

t' is the maximum acceptable delay between the request edge (RQXn) and the corresponding grant output signal (GR*); and f_{rx} is the frequency of the request inputs.

The central arbiter has metastability characteristics of τ of 93ps, T₀ of 2.3E33 seconds, and a normal propagation of 8.76ns measured at room temperature and 5V V_{CC}. (Those unfamiliar with these parameters may consult Philips Semiconductors application note AN219, "A Metastability Primer".)

The following example shows that at an individual ME, metastability induced delays of appreciable size are extremely rare.

Assume that there are two possible requests and the average request frequency for each is 250kHz. From the formula above, with a t' of 10.76ns (8.76ns + 2ns), the MTBUD is calculated to be 341 hours. If t' was 12.76ns, the MTBUD would be about 85 million years. Notice that 12.76ns is only an additional four nanosecond delay above the normal propagation delay. (This example assumes that a module may make a request immediately upon releasing tenure.)

The example illustrates only two modules competing for the bus. In real systems more request channels are active and more MEs are involved. If 'n' channels are active, then n(n-1)/2 MEs are active. Note, however, that any metastabilities that occur while a grant is active undesired delay would be noticed.

It is difficult to imagine that a user would ever experience a grant delay that cannot be tolerated.

Futurebus+ central arbitration controller

FB2012A

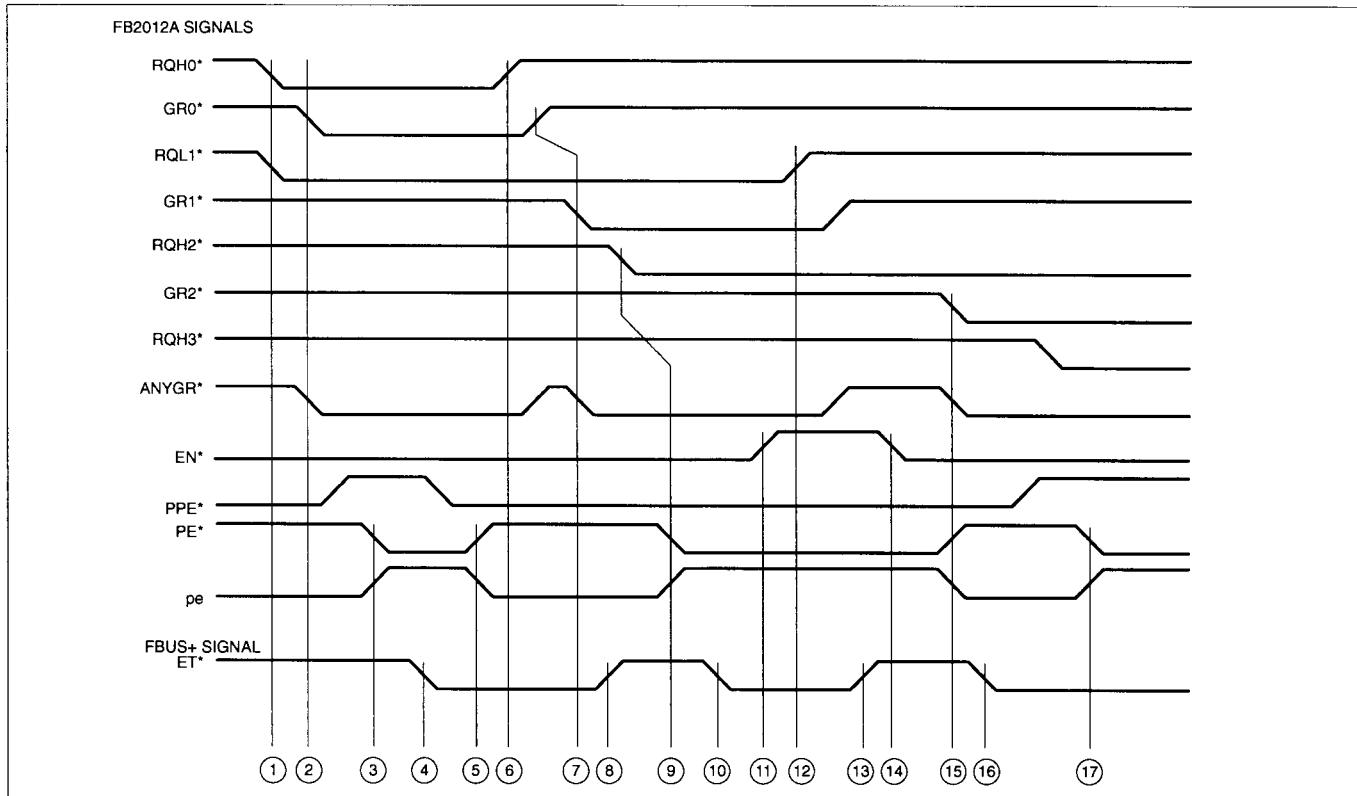
PIN DESCRIPTION

SYMBOL	TYPE	PIN NUMBER	FROM/TO	FUNCTION
RQH[13-0]*	I-BTL	26, 27, 28, 29, 30, 31, 33, 34, 35, 36, 38, 39, 40, 41	Futurebus+	These are level 1 requests. Grants are allocated on a first-come-first-served (FCFS) basis. The request that has been asserted the longest receives the grant.
RQL[13-0]*	I-BTL	10, 9, 8, 7, 6, 5, 3, 2, 1, 68, 66, 65, 64, 63	Futurebus+	These are level 0 requests. Level 0 requests are serviced when no level 1 requests are asserted. Requests are serviced according to the order of assertion (FCFS). The request that has been asserted the longest receives the grant.
GR[13-0]*	O-BTL	44, 45, 46, 47, 49, 50, 51, 53, 54, 55, 57, 58, 59, 60	Futurebus+	Each GRn* corresponds to an RQHn* and RQLn*. Once asserted a request must remain asserted until its corresponding grant is asserted. A grant GRn* is de-asserted when both the corresponding RQHn* and RQLn* are de-asserted. (Open-collector)
ANYGR*	O-TTL	12	Module	If any GR* pin is asserted ANYGR* is also asserted.
BINIT*	O-TTL	13	Module	Signals other controllers to initialize their Futurebus+ signals. This pin is driven Low after RE* is Low has been asserted for more than 2.0ms. Will return High after RE* has been released for at least 60ms.
EN*	I-TTL	20	Module	When high, all GR* lines that are not asserted will remain not asserted. An asserted GRn* will remain asserted until both the associated RQHn* line and RQLn* line are released.
pe	O-TTL	11	Futurebus+	pe is the inverted TTL equivalent of the BTL PE* pin.
PE*	O-BTL	42	Futurebus+	When PPE* is Low, PE* will be asserted whenever there is a level-1 request that is not being serviced while another grant is asserted. When PPE* is High, PE* will be asserted if more than one request (level-1 and/or level-0) is asserted. If level-1 and level-0 requests from the same module (i.e., RQH1 and RQL1), they are considered as one request. (PE* is Open-collector)
PPE*	I-TTL	15	Module	
RE*	I-BTL	62	Futurebus+	Futurebus+ reset.
SYSRST*	O-TTL	14	Module	Indicates a system reset has been signaled on the Futurebus. (Open-collector)
TESTEN	I-TTL	21	Tester	Used only for out-of-board testing (users should hold this pin low).
BIAS V	I-TTL	16		Low current input to properly bias the BTL drivers during live insertion or withdrawal. If live insertion or withdrawal is not a design consideration, this pin should be connected to V _{CC} .
LOGIC GND	G-TTL	19, 37, 67		TTL ground.
BUS GND	G-BTL	43, 48, 52, 56, 61		BTL ground.
V _{CC}	V	4, 17, 32		Power supply.
JTAG[TDI, TDO, TMS, TCK]	I/O-TTL	25, 24, 23, 22	Module	These four pins are reserved for future implementation of the JTAG standard. TDI and TDO are shorted together. TMS and TCK are not connected.
NC	NC	18		No connect (reserved for future use).

Futurebus+ central arbitration controller

FB2012A

FUNCTIONAL WAVEFORMS



1. Module 0 and module 1 make request (**RQH0** and **RQL1**) — grant given to module 0 due to level-1 priority request.
2. Central Arbitration Controller asserts **GR0*** and **ANYGR***.
3. The preemption outputs (**PE*** and **pe**) are asserted indicating that multiple modules are requesting grants.
4. The current bus master, module 0, asserts **et*** after beginning a transaction.
5. The priority preemption input (**PPE***) has gone low which causes the preemption outputs (**PE*** and **pe**) to be released.
6. Module 0 finishes its need for bus tenure and releases its request.
7. The Central Arbitration Controller detects the release of the module 0 request and releases the corresponding grant. The Module 1 request is then serviced — **GR1*** is asserted (and **ANYGR*** also). Module 1 is now the bus master elect.
8. The bus master (module 0) releases **et*** to indicate to module 1 that it, module 1, is the new bus master.
9. A new level-1 request is received from module 2. Since **PPE*** is asserted it causes **PE*** and **pe** to be asserted indicating that there is an unserved level-1 request.
10. Module 1 asserts **et*** after beginning a transaction.
11. The **EN*** pin is released blocking service to any unserved requests. The asserted grant (**GR1***) remains asserted until the corresponding requests are released.
12. Module 1 releases its request. Because **EN*** is High no new grants are asserted.
13. Module 1 releases **et***.
14. **EN*** is again asserted.
15. The module 2 grant (**GR2***) becomes asserted. **PE*** and **pe** are released because the level-1 request is now serviced.
16. Module 2, now the bus master, asserts **et*** after beginning a transaction.
17. When module 3 asserts its request, **PE*** and **pe** become asserted because now two requests are asserted at the same time (and **PPE*** is High).

Futurebus+ central arbitration controller

FB2012A

ABSOLUTE MAXIMUM RATINGS

Operation beyond the limits set forth in this table may impair the useful life of the device. Unless otherwise noted, these limits are over the operating free-air temperature range.

SYMBOL	PARAMETER	RATING	UNIT
V_{CC}	Supply voltage	-0.5 to +7.0	V
V_{IN}	Input voltage	-1.2 to +7.0	V
I_{IN}	Input current	-18 to +5	mA
V_{OUT}	Voltage applied to output in High output state	-0.5 to + V_{CC}	V
I_{OUT}	Current applied to output in Low output state	TTL outputs except SYSRST*	8
		SYSRST*	24
		GR0* - GR13, PE*	80
T_{amb}	Operating free-air temperature range	0 to +70	°C
T_{STG}	Storage range	-65 to +150	°C

RECOMMENDED OPERATING CONDITIONS

SYMBOL	PARAMETER	LIMITS		UNIT
		Min	Max	
V_{CC}	DC supply voltage	4.5	5.5	V
V_{IH}	High-level input voltage	TTL inputs	2.0	V
		RQX0* - RQX13*, RE*	1.62	V
V_{IL}	Low-level input voltage	TTL inputs	0.8	V
		RQX0* - RQX13*, RE*	1.47	V
I_{IK}	Input diode current		-18	mA
I_{OH}	High level output current	TTL except SYSRST*	-1	mA
I_{OL}	Low-level output current	TTL except SYSRST*	4	mA
		SYSRST*	24	
		GR0* - GR13, PE*	80	
C_O	Output capacitance	GRn*, PE*	7	pF
T_{amb}	Operating free-air temperature range	0	+70	°C

Futurebus+ central arbitration controller

FB2012A

DC ELECTRICAL CHARACTERISTICS

Over recommended operating free-air temperature range unless otherwise noted.

SYMBOL	PARAMETER		TEST CONDITIONS ¹	LIMITS			UNIT
				MIN	TYP ²	MAX	
I _{OH}	High level output current	SYSRST*	V _{CC} = MAX, V _{IL} = MAX, V _{IH} = MIN, V _{OH} = 4.5V			100	μA
	High level output current	GRn*, PE*	V _{CC} = MAX, V _{IL} = MAX, V _{IH} = MIN, V _{OH} = 2.1V			100	μA
I _{OFF}	Power-off output current	GRn*, PE*	V _{CC} = 0.0V, V _{IL} = MAX, V _{IH} = MIN, V _{OH} = 2.1V			100	μA
V _{OH}	High level output voltage	ANYGR*, BINIT, pe ⁴	V _{CC} = MIN, V _{IL} = MAX, V _{IH} = MIN, I _{OH} = -1mA	2.5	2.85		V
V _{OL}	Low level output voltage	ANYGR*, BINIT, pe ⁴	V _{CC} = MIN, V _{IL} = MAX, V _{IH} = MIN, I _{OL} = 4mA		0.33	0.5	V
		SYSRST*	V _{CC} = MIN, V _{IL} = MAX, V _{IH} = MIN, I _{OL} = 24mA		0.33	0.5	
		GRn*, PE*	V _{CC} = MIN, V _{IL} = MAX, V _{IH} = MIN, I _{OL} = 80mA	.75	1.0	1.10	
V _{IK}	Input clamp voltage		V _{CC} = MIN, I _I = I _{IK}			-1.2	V
I _I	Input current at maximum input voltage	EN*, PPE*, TESTEN	V _{CC} = MAX, V _I = GND or 5.5V			±50	μA
		RQXn*, RE*				±100	
I _{OS}	Short circuit output current ³	ANYGR*, BINIT, pe	V _{CC} = MAX, V _O = 0V	-30		-100	mA
I _{CC}	Supply current (total)		V _{CC} = MAX, Outputs High or Low		80	120	mA

NOTES:

- For conditions shown as MIN or MAX, use the appropriate value specified under recommended conditions for the applicable type.
- All typical values are at V_{CC} = 5V, T_A = 25°C.
- Not more than one output should be shorted at a time. For testing I_{OS}, the use of high-speed test apparatus and/or sample-and-hold techniques are preferable in order to minimize internal heating and more accurately reflect operational values. Otherwise, prolonged shorting of a High output may raise the chip temperature well above and thereby cause invalid readings in other parameter tests. In any sequence of parameter test, I_{OS} tests should be performed last.
- Due to test equipment limitations, actual test conditions are V_{IH} = 1.8V and V_{IL} = 1.3V for BTL inputs.

LIVE INSERTION SPECIFICATIONS

SYMBOL	PARAMETER		TEST CONDITIONS ¹	LIMITS			UNIT
				MIN	TYP ²	MAX	
V _{BIASV}	Bias pin voltage		V _{CC} = 0 to 5.25V, B _n = 0 to 2.0V	4.5		5.5	V
I _{BIASV}	Bias pin DC current		V _{CC} = 0 to 4.75V, B _n = 0 to 2.0V, Bias V = 4.5 to 5.5V			1	mA
			V _{CC} = 4.5 to 5.5V, B _n = 0 to 2.0V, Bias V = 4.5 to 5.5V			10	
√B _n	Bus voltage during prebias		B ₀ -B ₈ = 0V, Bias V = 5.0V	1.62		2.1	V
I _{LM}	Fall current during prebias		B ₀ -B ₈ = 2V, Bias V = 4.5 to 5.5V	1			μA
I _{HM}	Rise current during prebias		B ₀ -B ₈ = 1V, Bias V = 4.5 to 5.5V	-1			μA
I _{Bn} PEAK	Peak bus current during insertion		V _{CC} = 0 to 5.25V, B ₀ to B ₈ = 0 to 2.0V, Bias V = 4.5 to 5.5V, OEB ₀ = 0.8V, t _r = 2ns			10	mA
I _{OL} OFF	Power up current		V _{CC} = 0 to 5.25V, OEB ₀ = 0.8V			100	μA
			V _{CC} = 0 to 2.2V, OEB ₀ = 0 to 5V			100	
t _{GR}	Input glitch rejection		V _{CC} = 5.0V		1.35	1.0	ns

Futurebus+ central arbitration controller

FB2012A

AC ELECTRICAL CHARACTERISTICS

SYMBOL	PARAMETER	TEST CONDITION	TTL LIMITS					UNIT
			T _{amb} = +25°C V _{CC} = 5V C _L = 50pF R _L = 500Ω			T _{amb} = 0 - +70°C V _{CC} = 5V ±10% C _L = 50pF R _L = 500Ω		
			MIN	TYP	MAX	MIN	MAX	
t _{PLH} t _{PHL}	Propagation delay RQHn* or RQLn* to pe (PPE* = High)	Waveform 2	5.3 4.5	10.2 9.4	12.0 11.8	4.3 3.3	12.3 12.1	ns
t _{PLH}	Propagation delay RQHn* to pe (PPE* = Low)	Waveform 2	5.1	8.4	10.5	4.2	10.9	ns
t _{PHL}	Propagation delay RQHa* to pe (PPE* = Low) ¹	Waveform 2	5.5	8.5	10.2	4.8	11.5	ns
t _{PLH} t _{PHL}	Propagation delay RQHn* or RQLn* to ANYGR*	Waveform 1	3.7 5.0	8.6 9.7	10.5 12.0	3.0 4.2	11.0 12.2	ns
t _{PHL}	Propagation delay EN* to ANYGR*	Waveform 1	6.6	9.0	10.6	5.2	10.9	ns
SYMBOL	PARAMETER	TEST CONDITIONS	TTL LIMITS					UNIT
			T _{amb} = +25°C V _{CC} = 5V C _D = 30pF R _U = 16.5Ω			T _{amb} = 0 - +70°C V _{CC} = 5V ±10% C _D = 30pF R _U = 16.5Ω		
			MIN	TYP	MAX	MIN	MAX	
t _{PLH} t _{PHL}	Propagation delay RGHn* or RQLn* to GRn*	Waveform 1	2.0 2.0	5.2 8.6	7.0 11.5	2.0 2.0	7.5 11.9	ns
t _{PHL}	Propagation delay RGHa* or RQLa* to GRb* ¹	Waveform 2	4.5	12.0	15.3	4.3	15.5	ns
t _{PLH} t _{PHL}	Propagation delay RQHn* or RQLn* to PE* (PPE* = High)	Waveform 1	3.0 2.7	9.3 8.4	11.9 10.2	2.0 2.0	12.4 10.5	ns
t _{PHL}	Propagation delay RQHn* to PE* (PPE* = Low)	Waveform 1	2.6	7.0	8.7	1.7	8.9	ns
t _{PLH}	Propagation delay RGHa* to PE* (PPE* = Low) ¹	Waveform 1	3.7	8.3	10.0	3.6	10.3	ns
t _{PHL}	Propagation delay EN* to GRn*	Waveform 1	2.6	6.9	8.4	2.0	8.8	ns

NOTE:

1. RQHa or RQLa represent requests that already have a corresponding GRa* grant asserted. GRb* represents a grant not yet asserted, but GRb* becomes asserted when GRa* is released, if RQHb and/or RQLb are asserted.

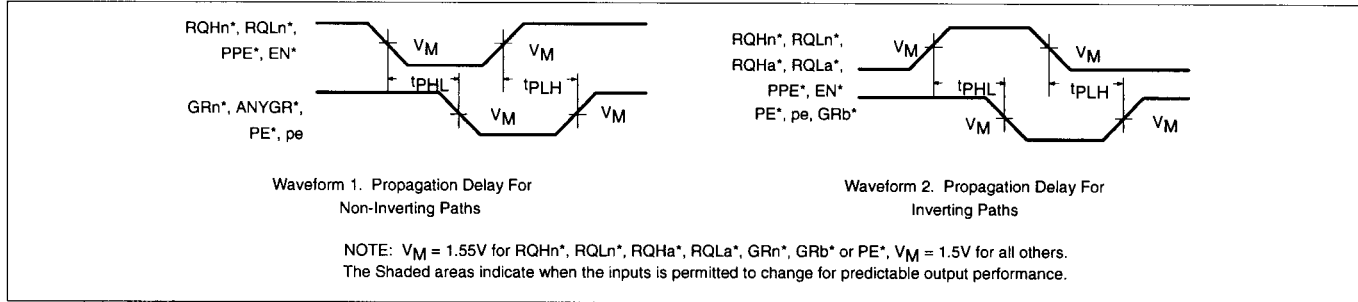
AC SETUP REQUIREMENTS

SYMBOL	PARAMETER	TEST CONDITION	TTL LIMITS					UNIT
			T _{amb} = +25°C V _{CC} = 5V C _D = 30pF R _U = 16.5Ω C _L = 50pF R _L = 500Ω			T _{amb} = 0 - +70°C V _{CC} = 5V ±10% C _D = 30pF R _U = 16.5Ω C _L = 50pF R _L = 500Ω		
			MIN	TYP	MAX	MIN	MAX	
t _{w(L)}	RE* pulse width, Low (to assert BINIT*)		2.0		3.9	2.0	3.9	ms
t _{w(L)}	RE* pulse width, Low (to assert SYSRST*)		30.0		60	30.0	60	ms
t _{rec}	Recovery time RE* to BINIT* or SYSRST*		60.0	100	140	60.0	140	ns
t _{rec}	Recovery time RE* to GRn*		1.0		2.2	1.0	2.2	μs

Futurebus+ central arbitration controller

FB2012A

AC WAVEFORMS



TEST CIRCUIT AND WAVEFORMS

