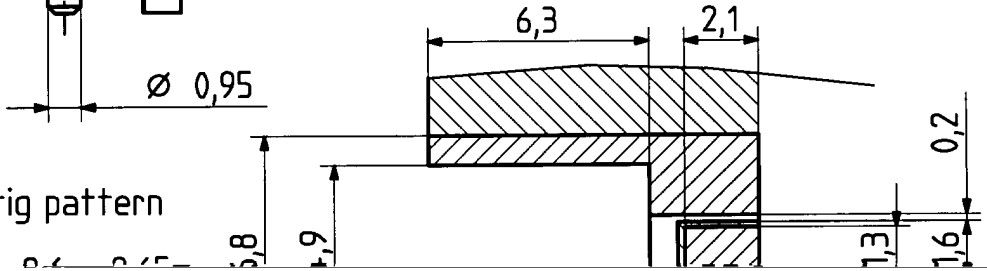
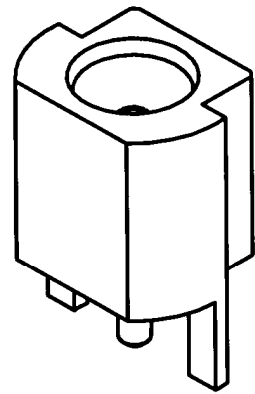
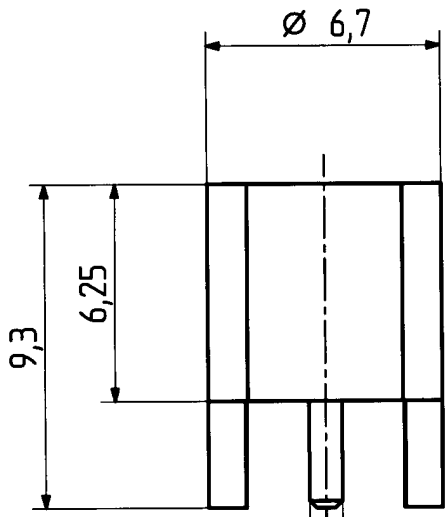
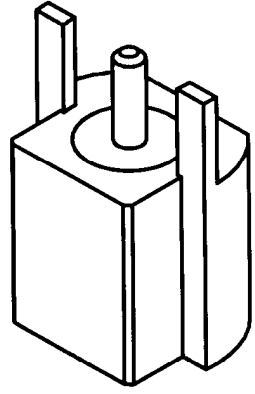
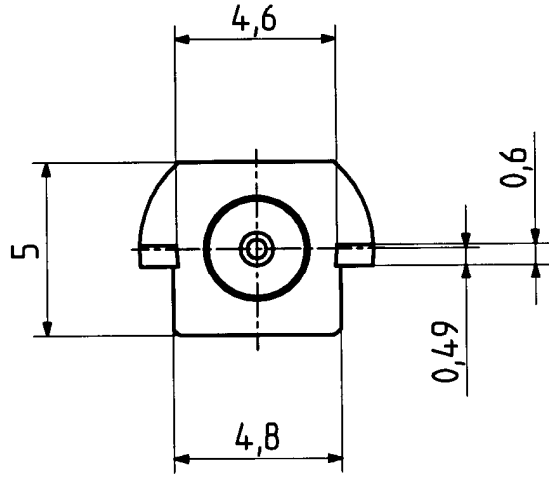


This drawing is copyright. Information contained thereon is supplied in confidence and must not be used for any other purpose than which it was supplied, or be reproduced without written permission of the owners.

type : 82 MCX-S50-0-22

	date	sign
drawn	20.10.99	4728/TuB
checked	21.10.99	4728/TuB
approved	21.10.99	4728/TuB



Coplanar mountig pattern

Material FR4 er=4,6)

+ = pattern

= lands (Tree of solder mask)

iges Eigentum und darf
iligung weder kopiert,
nen oder Konkurrenz-
den.
eichnung ist unser ge
ohne ausdrückliche E
fältigt, noch Dritter
zugänglich gemacht v

H+S 701 448.05

scale
5 : 1

HUBER + SUHNER RFX

drawing number 4.13.24124	Index b
OZ drawing : OZ.95.4.13.0740	

dimensions in mm