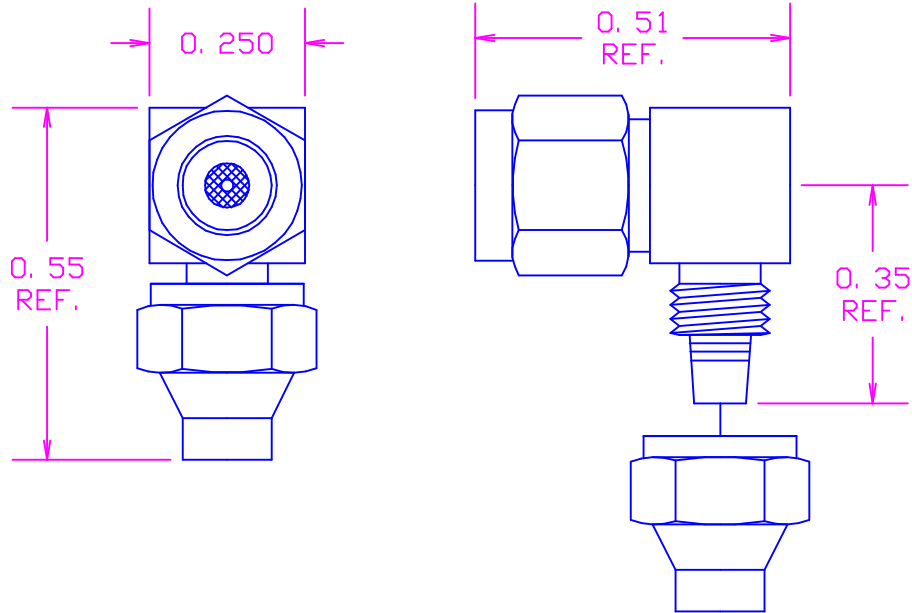
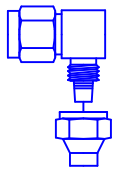


DATE	SYM	REVISION RECORD	AUTH.	DR.	CK.
10/15/98	-	ISSUED		NT	GH



MATERIAL: BODY- BRASS PER ASTM B16,  
 ALLOY C 36000, 1/2 HARD  
 CONTACT- BERYLLIUM COPPER PER ASTM B196  
 INSULATION- TFE FLUOROCARBON PER L-P-403  
 FINISH: CONTACT- .00005"MIN. GOLD PER MIL-G-45204  
 TYPE 1, GRADE C, CLASS 2, OVER .00005" GOLD  
 BODY- GOLD PLATED  
 FREQUENCY: 50 OHMS REF.  
 CABLE: RG 316, RG188

ACTUAL SIZE



TOLERANCES REF. ONLY	CONCORD ELECTRONICS CORPORATION		
DECIMAL + -	P/N	SCALE	30 GREAT JONES ST. NEW YORK N. Y. 10012
FRACTIONAL + -	TITLE SMC RIGHT ANGLE PLUG		
+ -	DATE 10/14/98	DRAWING NUMBER 800-1004-3B	