

**IE-AD-M12XRJ45-180****Weidmüller Interface GmbH & Co. KG**

Klingenbergstraße 26

D-32758 Detmold

Germany

www.weidmueller.com



M12 X-type Cat 6 <sub>A</sub> field-assembled connectors and PCB sockets

**General ordering data**

Version	Adapter, RJ45, M12, Cat.6 <sub>A</sub> / Class E <sub>A</sub> (ISO/IEC 11801 2010), IP67, M12 socket to RJ45 socket
Order No.	<a href="#">1400620000</a>
Type	IE-AD-M12XRJ45-180
GTIN (EAN)	4050118202526
Qty.	1 pc(s).

Creation date July 14, 2021 7:33:53 AM CEST

Catalogue status 02.07.2021 / We reserve the right to make technical changes.

**IE-AD-M12XRJ45-180****Weidmüller Interface GmbH & Co. KG**

Klingenbergstraße 26

D-32758 Detmold

Germany

www.weidmueller.com

**Technical data****Dimensions and weights**

Wall thickness, min.	0.9 mm	Wall thickness, max.	3 mm
Net weight	62 g		

**Temperatures**

Operating temperature	-25 °C...85 °C
-----------------------	----------------

**Environmental Product Compliance**

REACH SVHC	Lead 7439-92-1
------------	----------------

**General Info**

Connection 1	RJ45	Connection 2	M12
Description of article	Adapter, straight	Configuration	M12 socket to RJ45 socket
Housing main material	Zinc diecast	Category	Cat.6 <sub>A</sub> / Class E <sub>A</sub> (ISO/IEC 11801 2010)
Connection thread	M12	Contact material	Copper alloy
Contact surface	Gold-plated	Shielding	360°; shield contact
Protection degree	IP67	Plugging cycles	≥ 100 (M12), 750 (RJ45)

**Electrical properties**

Insulation strength	100 MΩ	Rated voltage	50 V
---------------------	--------	---------------	------

**General standards**

Certificate no. (cULus)	E471884	Connector standard	IEC 61076-2-109, IEC 60603-7-51
-------------------------	---------	--------------------	---------------------------------

**Classifications**

ETIM 6.0	EC000313	ETIM 7.0	EC000313
ETIM 8.0	EC000313	ECLASS 9.0	27-44-03-20
ECLASS 9.1	19-17-01-25	ECLASS 10.0	27-44-03-20
ECLASS 11.0	27-44-03-20		

**Approvals**

Approvals



ROHS	Conform
UL File Number Search	E471884

## IE-AD-M12XRJ45-180

**Weidmüller Interface GmbH & Co. KG**  
Klingenbergstraße 26  
D-32758 Detmold  
Germany

[www.weidmueller.com](http://www.weidmueller.com)

## Technical data

### Downloads

Approval/Certificate/Document of Conformity	<a href="#">DUXR.E316369</a> <a href="#">PROFINET Manufacturer's Declaration</a>
Engineering Data	<a href="#">STEP</a>
Product Change Notification	<a href="#">20200827 Technische Änderung zu M12-X-codeRJ45 Adapter</a> <a href="#">20200827 Technical change to M12 X-codeRJ45 adapter</a>
User Documentation	<a href="#">MAN IE GUIDE DE</a> <a href="#">MAN IE GUIDE EN</a> <a href="#">Manual</a>
Catalogues	<a href="#">Catalogues in PDF-format</a>
Brochures	<a href="#">FL FIELDWIRING EN</a> <a href="#">PI PROFINET CABLING EN</a> <a href="#">PI PROFINET CABLING EN</a>

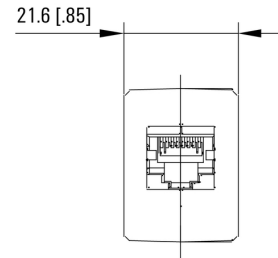
**IE-AD-M12XRJ45-180**

**Weidmüller Interface GmbH & Co. KG**  
 Klingenbergstraße 26  
 D-32758 Detmold  
 Germany

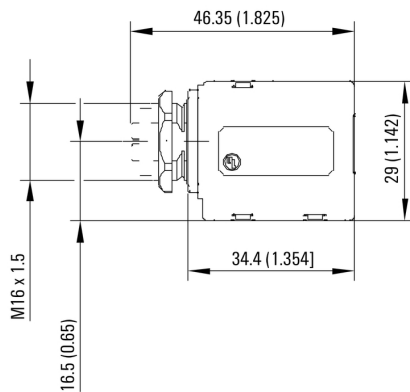
www.weidmueller.com

**Drawings**

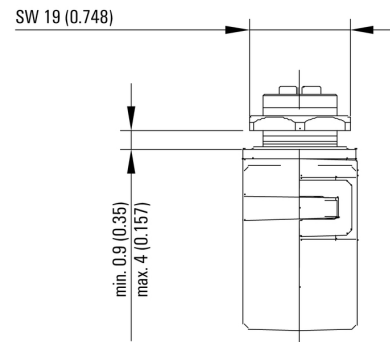
**Dimensioned drawing**



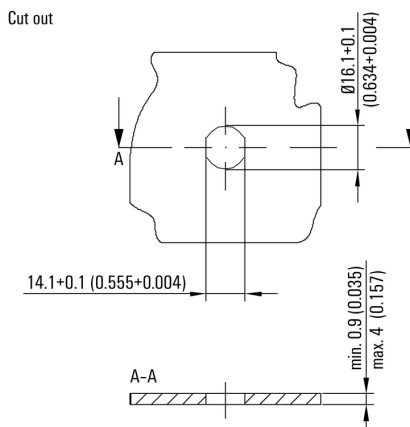
**Dimensioned drawing**



**Dimensioned drawing**



**Installation cut-out**



**IE-AD-M12XRJ45-180**

**Weidmüller Interface GmbH & Co. KG**  
Klingenbergstraße 26  
D-32758 Detmold  
Germany

[www.weidmueller.com](http://www.weidmueller.com)

**Drawings**

**Wiring**

