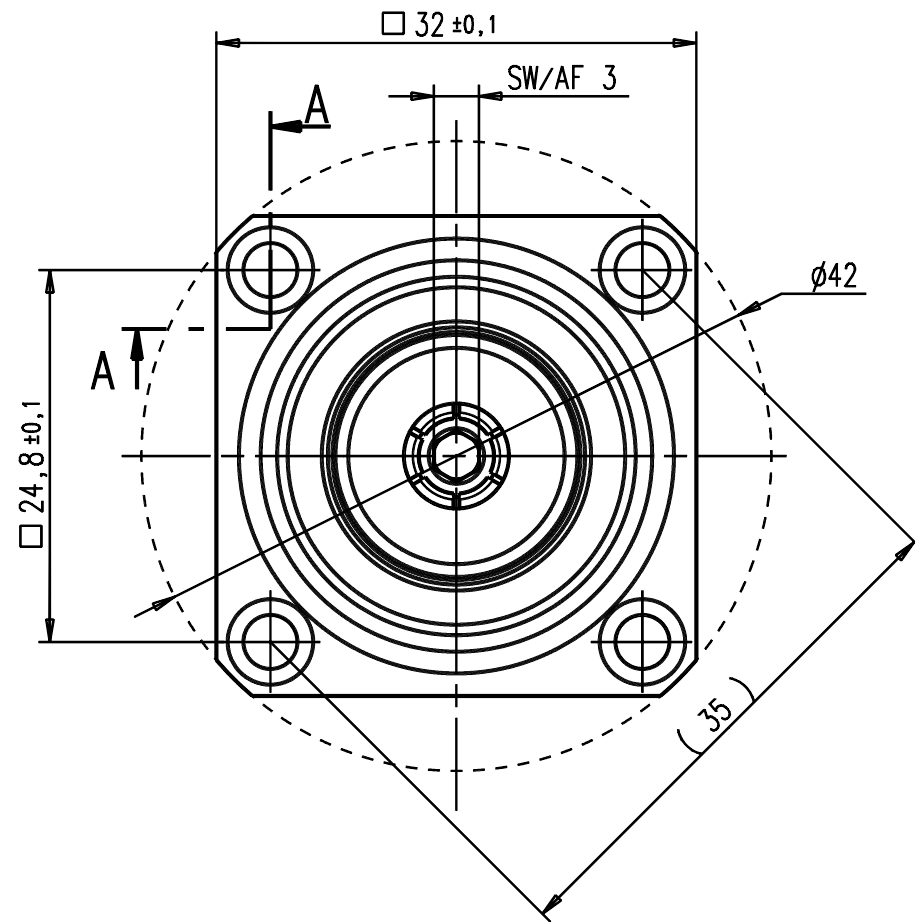
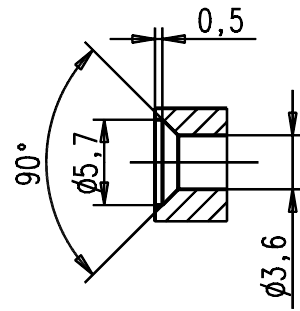
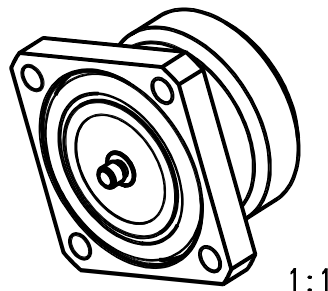
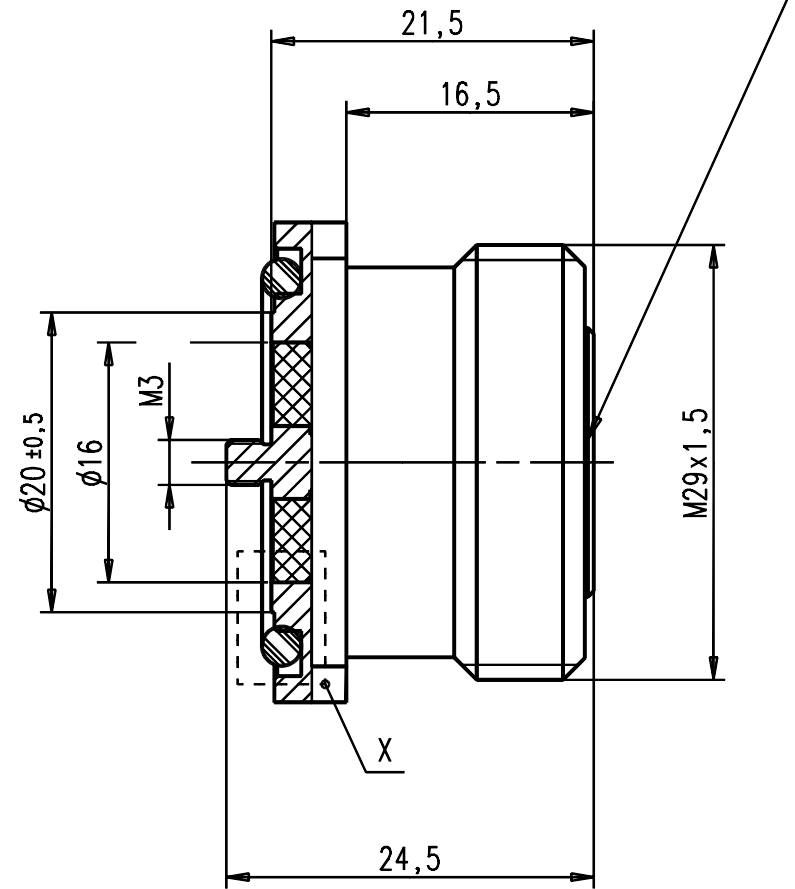


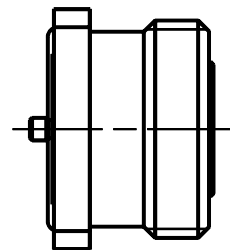
section AA
2:1 (4x)



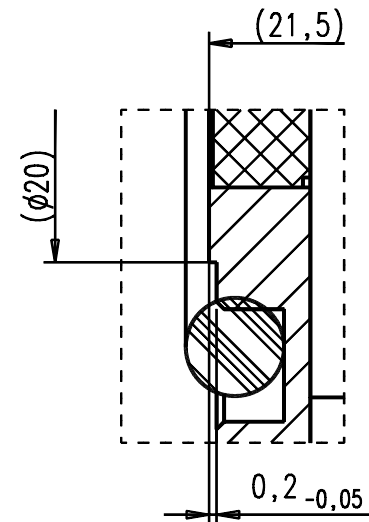
Steckbereich nach IEC 169-4
Mating area acc.to IEC 169-4



1:1



1:1



section X
5:1

Part	Material	Surface
Housing	Copper alloy	Ag 3-5µm
Centre Contact	Bronze	Ag 5-8µm
Insulator	PTFE	
Sealing	Silicone/EPDM	
Mating face sealed: IP68		
Contact captivation torque: min. 45Ncm		

					general tolerance	ISO 2768
					ISO 2768	mH
					date	name
					generate	08.08.03 Mayer
					checked	
					Norm	
					42110	
design	b	M3 6h --> M3	24.11.05	Mayer		scale: 2:1 Assembly instruction: Stripping dimension: 7/16-Chassisbuchse 7/16-Bulkhead jack
design	a	el. optimiert	27.08.03	Mayer		
nr.	rev.	alteration	date	name		

scale: 2:1		Rev. b
3706.08.2018.19'		