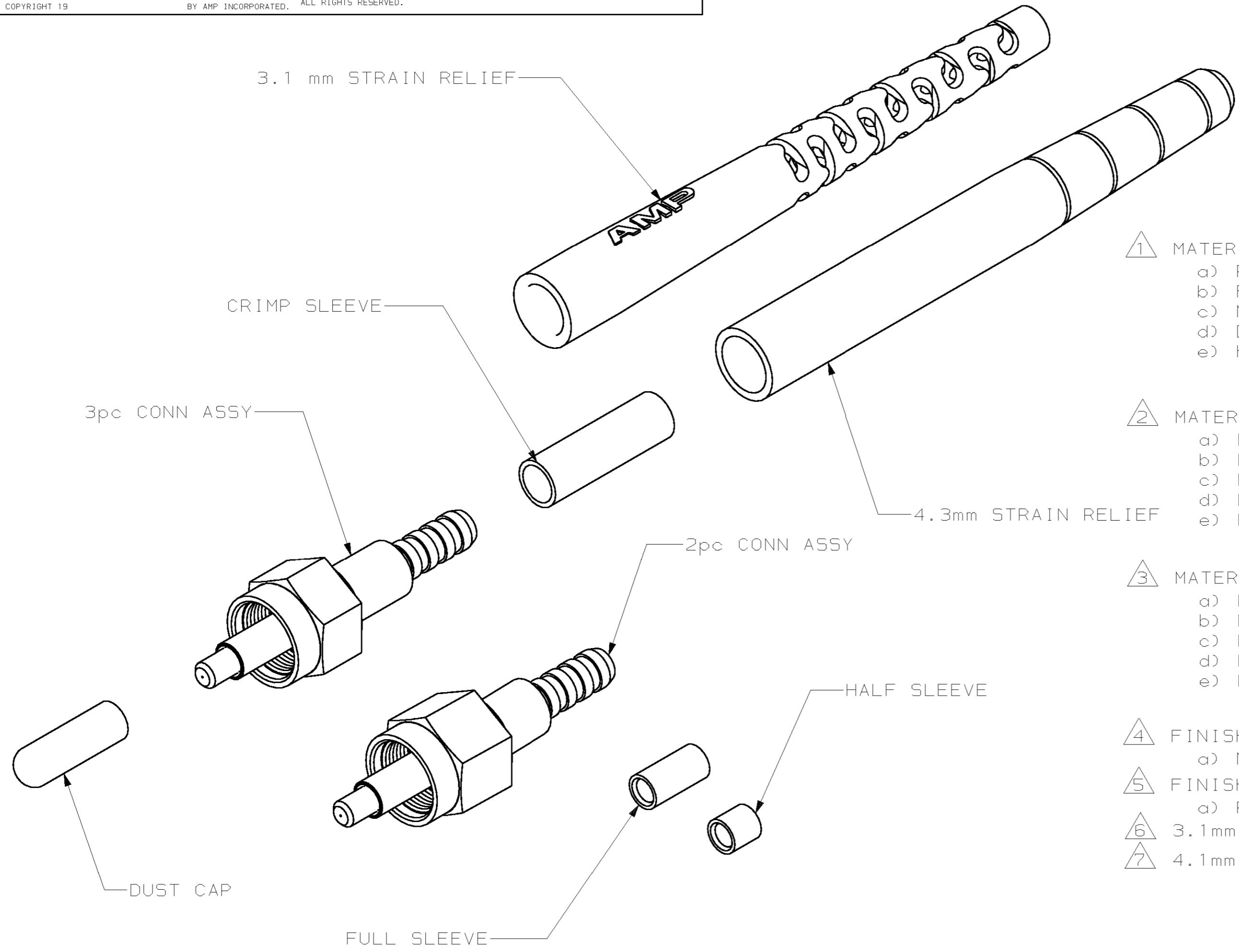
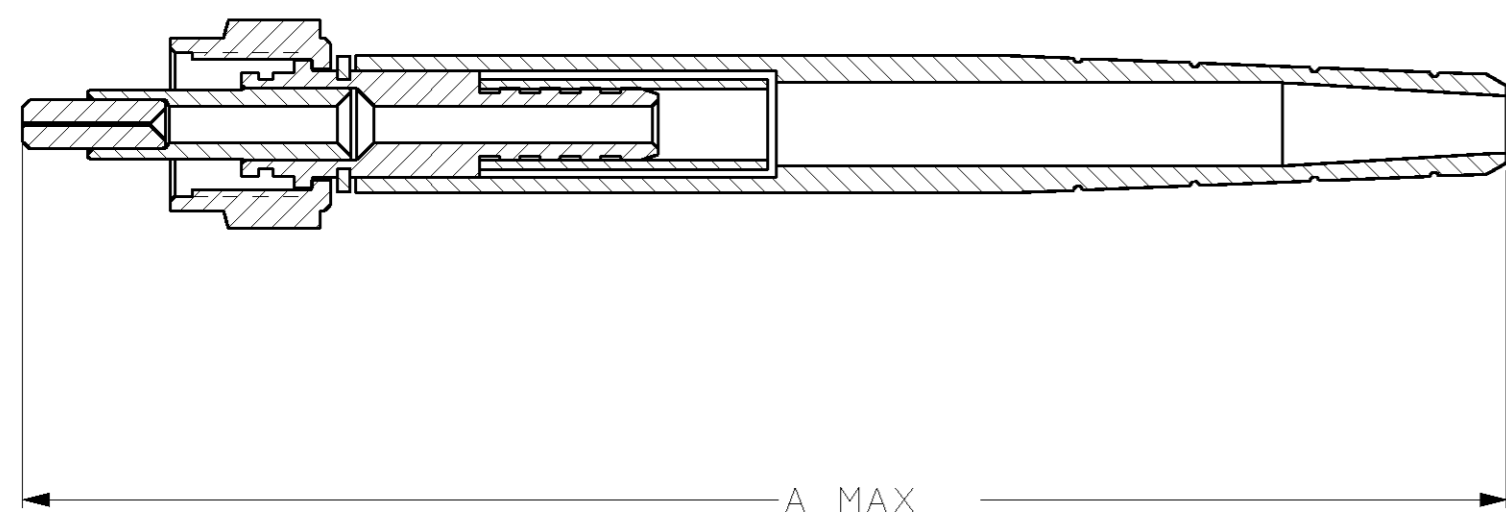


THIS DRAWING IS UNPUBLISHED. RELEASED FOR PUBLICATION .19
 © COPYRIGHT 19 BY AMP INCORPORATED. ALL RIGHTS RESERVED.

LOC	DIST	REVISIONS			
P	LTR	DESCRIPTION	DATE	DWN	APVD
CE	16	D	REVISED PER 0A00-0247-00	29MAR2000	TA 5B



- ① MATERIAL
 - a) REAR BODY, MID BODY: SST
 - b) FERRULE: CERAMIC
 - c) NUT, CRIMP SLEEVE: BRASS
 - d) DUST CAP: VINYL, COLOR, RED
 - e) HALF & FULL SLEEVE: DELRIN, COLOR, WHITE
- ② MATERIAL
 - a) BODY: SST
 - b) FERRULE: CERAMIC
 - c) NUT, CRIMP SLEEVE: BRASS
 - d) DUST CAP: VINYL, COLOR, RED
 - e) HALF & FULL SLEEVE: DELRIN, COLOR, WHITE
- ③ MATERIAL
 - a) REAR BODY, NUT, CRIMP SLEEVE: BRASS
 - b) MID BODY: SST
 - c) FERRULE: CERAMIC
 - d) DUST CAP: VINYL, COLOR, RED
 - e) HALF & FULL SLEEVE: DELRIN, COLOR, WHITE
- ④ FINISH
 - a) NUT, CRIMP SLEEVE: NICKEL PLATE
- ⑤ FINISH
 - a) REAR BODY, NUT, CRIMP SLEEVE: NICKEL PLATE
- ⑥ 3.1mm STRAIN RELIEF: THERMOPLASTIC ELASTOMER, CLR, BLK
- ⑦ 4.1mm STRAIN RELIEF: VINYL, COLOR, BLACK



Dimension	Material	Hole Size	Cable Size	Finish	Material	Part Number
68.86 [2.711]	⑤	125µm	3.1mm MAX	⑤	③	504015-9
66.72 [2.627]	⑦	140µm	4.3mm MAX	④	②	504015-6
68.86 [2.711]	⑥	140µm	3.1mm MAX	④	①	504015-5
66.72 [2.627]	⑦	125µm	4.3mm MAX	④	②	504015-2
68.86 [2.711]	⑥	125µm	3.1mm MAX	④	①	504015-1
A MAX	BOOT	HOLE SIZE	CABLE SIZE	FINISH	MATERIAL	PART NUMBER

OBSOLETE

THIS DRAWING IS A CONTROLLED DOCUMENT.

DWN	R.HILEMAN	8-28-92
CHK	P.YEAGER	9-28-92
APVD	S.BUCHTER	9-28-92

AMP Incorporated
Harrisburg, PA 17105-3608

AMP

CONNECTOR KIT,
CERAMIC SMA (906)

SIZE	A2	CAGE CODE	00779	DRAWING NO	C-504015	RESTRICTED TO	-
SCALE	NTS	SHEET	1	OF	1	REV	D

CUSTOMER DRAWING