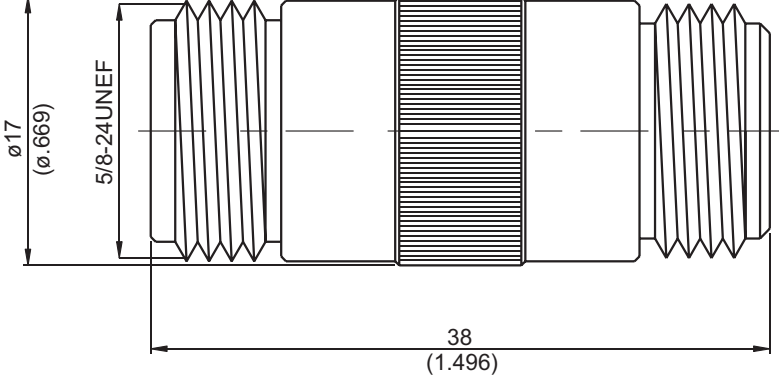


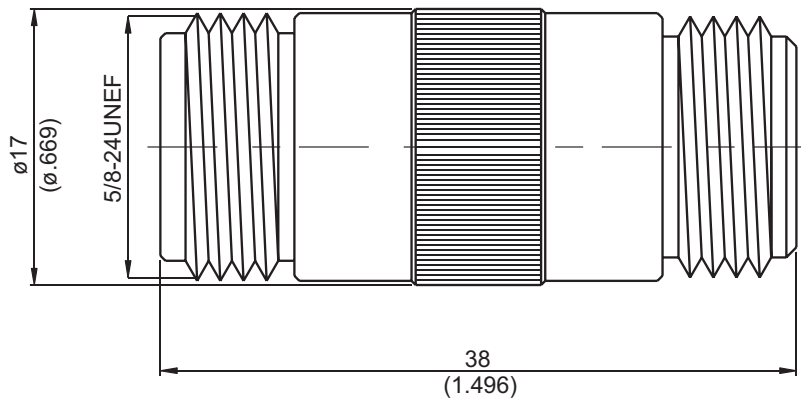
| AD-N8N8 | N Jack To N Jack | 50Ω | | | | | | | | | | | | |
|---|------------------|--|-------------|----------|----------------------|-------------|-----------------|---------------------------------------|-----------|--------|------|------|-------|--|
|  | | | | | | | | | | | | | | |
| <p>Typical VSWR</p> <table border="1" style="margin: auto; border-collapse: collapse;"> <thead> <tr> <th>Part Number</th> <th>1 GHz</th> <th>2 GHz</th> <th>3 GHz</th> <th>4 GHz</th> </tr> </thead> <tbody> <tr> <td>AD-N8N8</td> <td>1.03</td> <td>1.09</td> <td>1.14</td> <td>1.31</td> </tr> </tbody> </table> | | | Part Number | 1 GHz | 2 GHz | 3 GHz | 4 GHz | AD-N8N8 | 1.03 | 1.09 | 1.14 | 1.31 | | |
| Part Number | 1 GHz | 2 GHz | 3 GHz | 4 GHz | | | | | | | | | | |
| AD-N8N8 | 1.03 | 1.09 | 1.14 | 1.31 | | | | | | | | | | |
| <table border="1" style="width: 100%; border-collapse: collapse;"> <thead> <tr> <th style="width: 15%;">Parts</th> <th style="width: 20%;">Material</th> <th style="width: 65%;">Plating (Micro-inch)</th> </tr> </thead> <tbody> <tr> <td>Contact Pin</td> <td>Phosphor Bronze</td> <td>Gold 10 Over Nickel 50 Over Copper 50</td> </tr> <tr> <td>Insulator</td> <td>Teflon</td> <td></td> </tr> <tr> <td>Body</td> <td>Brass</td> <td>Tin-Zinc-Copper-Alloy 100 Over Copper 50</td> </tr> </tbody> </table> | | | Parts | Material | Plating (Micro-inch) | Contact Pin | Phosphor Bronze | Gold 10 Over Nickel 50 Over Copper 50 | Insulator | Teflon | | Body | Brass | Tin-Zinc-Copper-Alloy 100 Over Copper 50 |
| Parts | Material | Plating (Micro-inch) | | | | | | | | | | | | |
| Contact Pin | Phosphor Bronze | Gold 10 Over Nickel 50 Over Copper 50 | | | | | | | | | | | | |
| Insulator | Teflon | | | | | | | | | | | | | |
| Body | Brass | Tin-Zinc-Copper-Alloy 100 Over Copper 50 | | | | | | | | | | | | |
| <p>Weight: 45.42 g</p> | | | | | | | | | | | | | | |

Notice: JYEBAO reserves the right to make modifications deemed appropriate.

AD-N8N8-75

N Jack To N Jack

75Ω



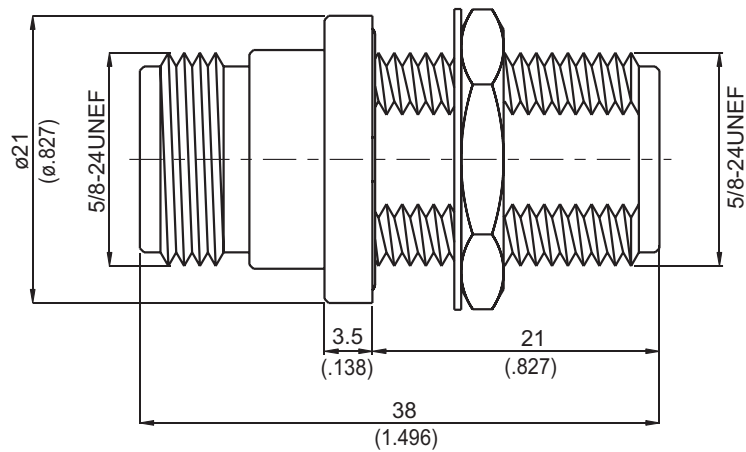
| Parts | Material | Plating (Micro-inch) |
|-------------|-----------------|--|
| Contact Pin | Phosphor Bronze | Gold 10 Over Nickel 50 Over Copper 50 |
| Insulator | Teflon | |
| Body | Brass | Tin-Zinc-Copper-Alloy 100 Over Copper 50 |

Weight: 43.12 g

Notice: JYEBAO reserves the right to make modifications deemed appropriate.

AD-N8N8-BF

N Jack To N Jack For Bulkhead 50Ω



Typical VSWR

| Part Number | 1 GHz | 2 GHz | 3 GHz | 4 GHz | 5 GHz | 6 GHz | 7GHz | 8 GHz |
|-------------|-------|-------|-------|-------|-------|-------|------|-------|
| AD-N8N8-BF | 1.02 | 1.08 | 1.09 | 1.33 | 1.33 | 1.33 | 1.33 | 1.34 |

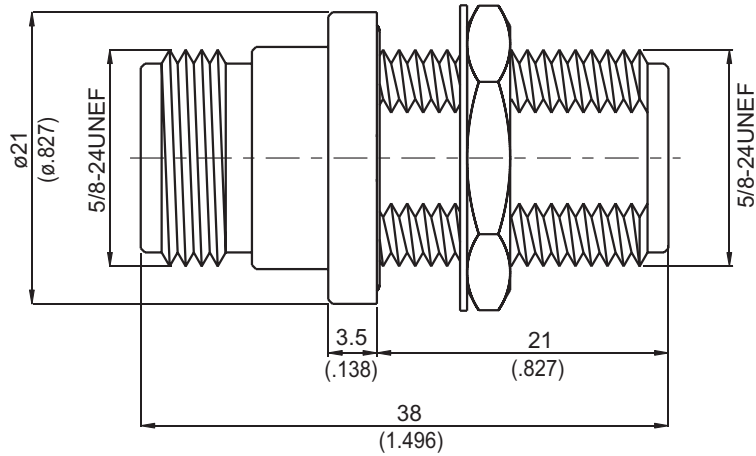
| Parts | Material | Plating (Micro-inch) |
|-------------|-----------------|---------------------------------------|
| Hex Nut | Brass | Tin-Zinc-Copper 100 over Copper 50 |
| Lock Washer | Brass | Tin-Zinc-Copper 100 over Copper 50 |
| Gasket | Silicone | |
| Contact Pin | Phosphor Bronze | Gold 10 Over Nickel 50 Over Copper 50 |
| Insulator | Teflon | |
| Body | Brass | Tin-Zinc-Copper 100 over Copper 50 |

Weight: 46.5 g

Notice: JYEBAO reserves the right to make modifications deemed appropriate.

AD-N9N9-BF

**N Reverse Polarity Jack To N Reverse Polarity Jack
For Bulkhead 50Ω**



Typical VSWR

| Part Number | 1 GHz | 2 GHz | 3 GHz | 4 GHz | 5 GHz | 6 GHz | 7GHz | 8 GHz | 9 GHz | 10 GHz |
|-------------|-------|-------|-------|-------|-------|-------|------|-------|-------|--------|
| AD-N9N9-BF | 1.03 | 1.06 | 1.06 | 1.21 | 1.29 | 1.29 | 1.29 | 1.29 | 1.34 | 1.34 |

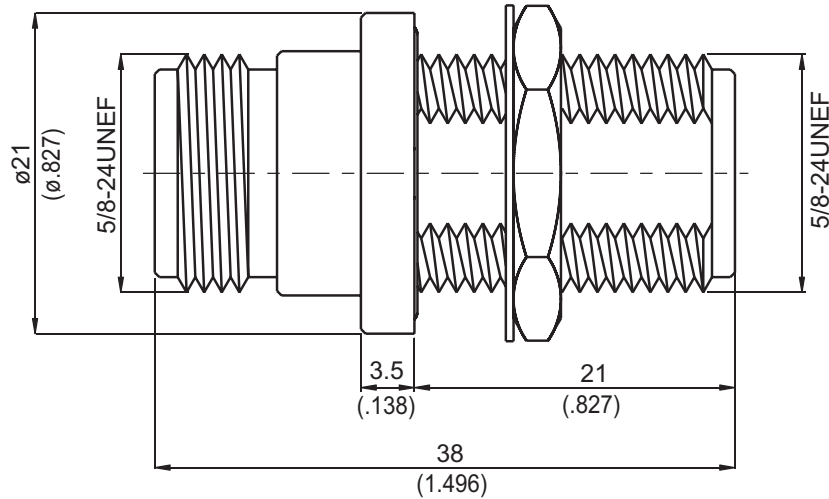
| Parts | Material | Plating (Micro-inch) |
|-------------|----------|--|
| Hex Nut | Brass | Tin-Zinc-Copper-Alloy 100 over Copper 50 |
| Lock Washer | Brass | Tin-Zinc-Copper-Alloy 100 over Copper 50 |
| Gasket | Silicone | |
| Contact Pin | Brass | Gold 10 Over Nickel 50 Over Copper 50 |
| Insulator | Teflon | |
| Body | Brass | Tin-Zinc-Copper 100 over Copper 50 |

Weight:

Notice: JYEBAO reserves the right to make modifications deemed appropriate.

AD-N8N8-BF-75

N Jack To N Jack For Bulkhead 75Ω



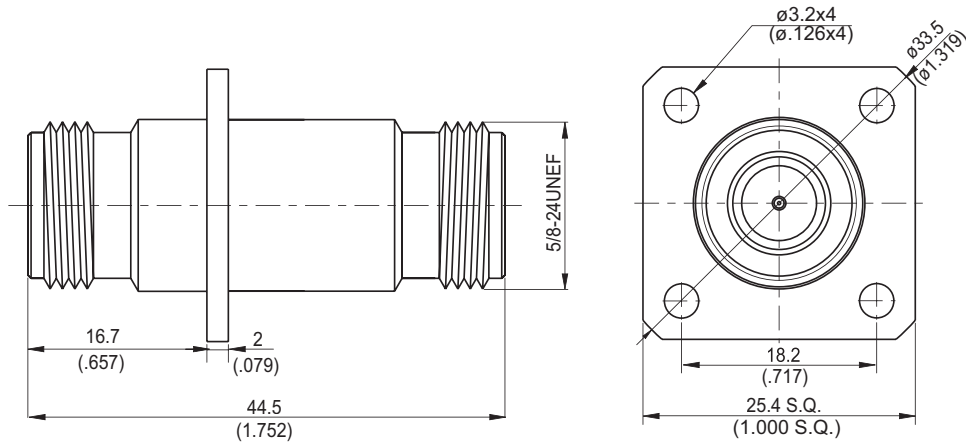
| Parts | Material | Plating (Micro-inch) |
|-------------|-----------------|--|
| Hex Nut | Brass | Tin-Zinc-Copper-Alloy 100 over Copper 50 |
| Lock Washer | Brass | Tin-Zinc-Copper-Alloy 100 over Copper 50 |
| Gasket | Silicone | |
| Contact Pin | Phosphor Bronze | Gold 10 Over Nickel 50 Over Copper 50 |
| Insulator | Teflon | |
| Body | Brass | Tin-Zinc-Copper-Alloy 100 over Copper 50 |

Weight: 46.42 g

Notice: JYEBAO reserves the right to make modifications deemed appropriate.

AD-N8N8-P4

N Jack To N Jack For Panel Receptacle 50Ω



Typical VSWR

| Part Number | 1 GHz | 2 GHz | 3 GHz | 4 GHz | 5 GHz | 6 GHz | 7GHz |
|-------------|-------|-------|--------|--------|--------|--------|--------|
| AD-N8N8-P4 | 1.04 | 1.04 | 1.04 | 1.06 | 1.12 | 1.12 | 1.12 |
| | 8 GHz | 9 GHz | 10 GHz | 11 GHz | 12 GHz | 13 GHz | 14 GHz |
| | 1.12 | 1.22 | 1.28 | 1.34 | 1.34 | 1.34 | 1.34 |

| Parts | Material | Plating (Micro-inch) |
|-------------|------------------|--|
| Contact Pin | Beryllium Copper | Gold 10 Over Nickel 50 Over Copper 50 |
| Contact Pin | Phosphor Bronze | Gold 10 Over Nickel 50 Over Copper 50 |
| Insulator | Teflon | |
| Body | Brass | Tin-Zinc-Copper-Alloy 100 over Copper 50 |

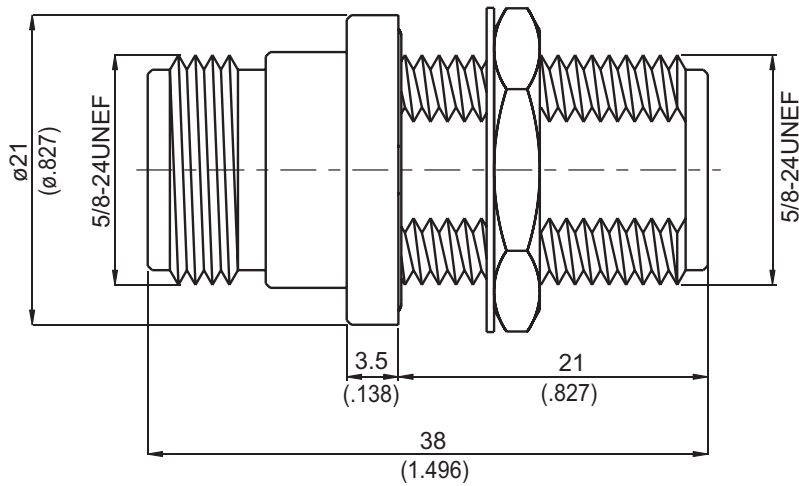
Weight: 60.27 g

Notice: JYEBAO reserves the right to make modifications deemed appropriate.

AD-N8N8-BF-75

N Jack To N Jack For Bulkhead

75Ω



| Parts | Material | Plating (Micro-inch) |
|-------------|-----------------|---------------------------------------|
| Hex Nut | Brass | Tin-Zinc-Copper 100 over Copper 50 |
| Lock Washer | Brass | Tin-Zinc-Copper 100 over Copper 50 |
| Gasket | Silicone | |
| Contact Pin | Phosphor Bronze | Gold 10 Over Nickel 50 Over Copper 50 |
| Insulator | Teflon | |
| Body | Brass | Tin-Zinc-Copper 100 over Copper 50 |

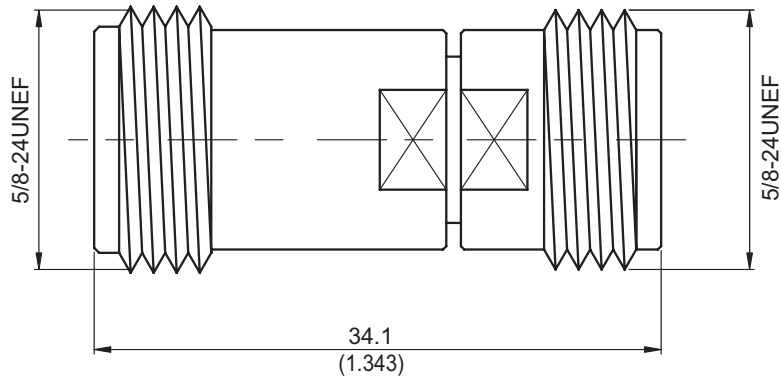
Weight: 46.42 g

Notice: JYEBAO reserves the right to make modifications deemed appropriate.

ADS-N8N8

N Jack To N Jack

50Ω



Typical VSWR:

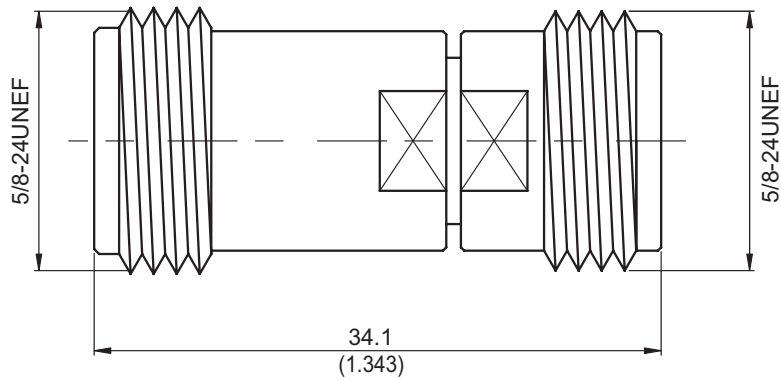
| Part Number | 1 GHz | 2 GHz | 3 GHz | 4 GHz | 5 GHz | 6 GHz | 7 GHz | 8 GHz | 9 GHz |
|-------------|--------|--------|--------|--------|--------|--------|--------|--------|--------|
| ADS-N8N8 | 1.02 | 1.02 | 1.03 | 1.1 | 1.12 | 1.19 | 1.19 | 1.19 | 1.19 |
| | 10 GHz | 11 GHz | 12 GHz | 13 GHz | 14 GHz | 15 GHz | 16 GHz | 17 GHz | 18 GHz |
| | 1.19 | 1.19 | 1.19 | 1.19 | 1.19 | 1.23 | / | / | / |

| Parts | Material | Plating (Micro-inch) |
|--------------|------------------|---------------------------------------|
| Center Pin 1 | Beryllium Copper | Gold 10 Over Nickel 50 Over Copper 50 |
| Center Pin 2 | Phosphor Bronze | Gold 10 Over Nickel 50 Over Copper 50 |
| Insulator | Teflon | |
| Body | Stainless | Passivated |

Weight:

ADS-N8N8-75

Stainless N Jack To N Jack 75Ω



| Parts | Material | Plating (Micro-inch) |
|------------|------------------|---------------------------------------|
| Center Pin | Beryllium Copper | Gold 10 Over Nickel 50 Over Copper 50 |
| Center Pin | Beryllium Copper | Gold 10 Over Nickel 50 Over Copper 50 |
| Insulator | Teflon | |
| Body | Stainless | Passivated |

Weight:

Notice: JYEBAO reserves the right to make modifications deemed appropriate.