

# Types VIZ-15 and VIZ-15G Indoor voltage transformers

## Product features

- 25 kV indoor
- 150 kV BIL, 60 Hertz
- Primary volts: 12000 - 34500

## Application

The VIZ-15 and VIZ-15G indoor voltage transformers are designed for service in metalclad switchgear and are used for metering, relaying, or control power. Both units are available in single, double, and tapped secondary designs with two accuracy and thermal rating options.

## Construction features

The primary and secondary coils are wound using special winding and shielding techniques for improved voltage stress distribution. The coils are designed to withstand continuous operation at either 1.1 or 1.25 times the line-to-line voltage level for Z burden units and the line-to-ground voltage level for Y burden units. For some line-to-ground voltage units, a short-time withstand voltage of 1.9 is available upon request.

Each coil is insulated with mylar film to provide a high dielectric strength between layers. The coils and core are combined to create a complete winding structure that is assembled to a support frame. The entire assembly is vacuum cast in polyurethane for added insulation and protection.

## Fuse classifications

These units are available in three fuse classifications: mounted fuse with hardware, unfused with hardware, or unfused without hardware. Optional fuse kits are offered to convert unfused styles to fused styles.

Consult your ABB sales representative concerning overvoltage conditions for designs above the standard rated voltage factor of 1.25.



## Baseplate

The baseplate is constructed of corrosion-resistant aluminum and is secured to the encapsulated base support.

## Mounting

The VIZ-15 and VIZ-15G can be mounted in upright or cantilever positions.

## Curves

Type curves are available upon request.

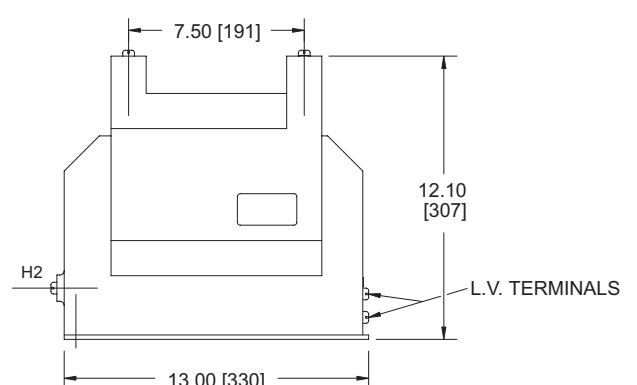
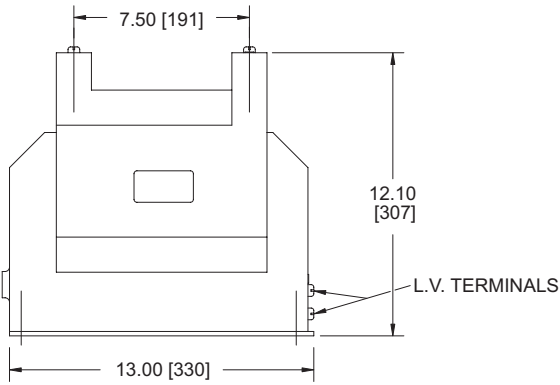
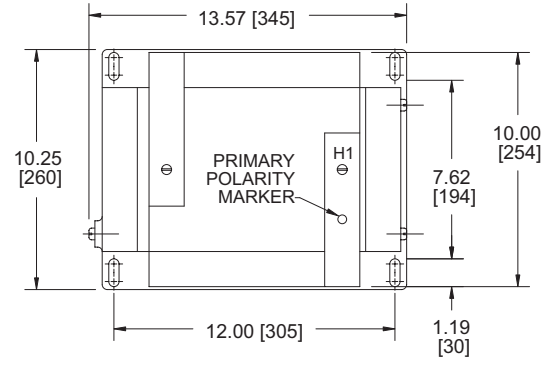
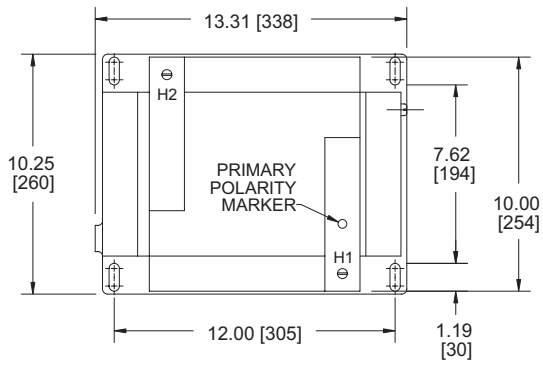
## Test reports

Test reports are stored electronically and can be e-mailed in various formats at the time of shipment.

## Standards

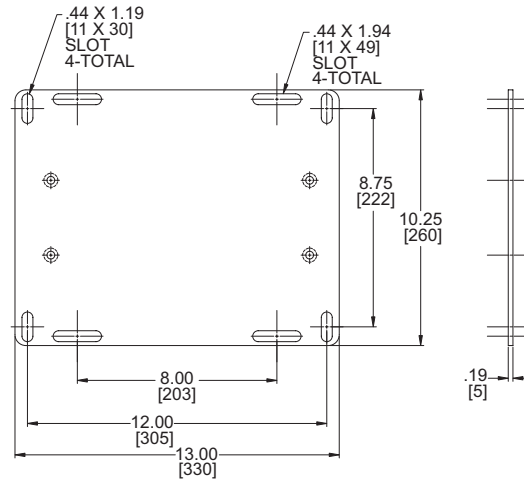
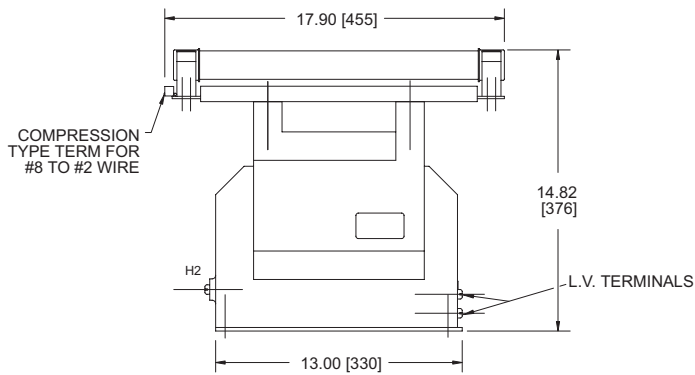
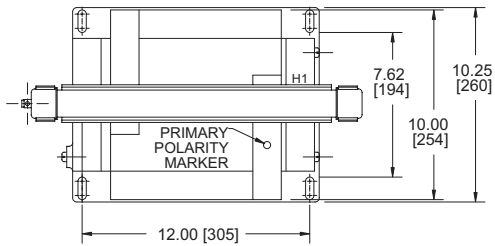
This unit can be tested to all applicable IEEE, CSA, or IEC standards as requested.

## Unit dimensions



Type VIZ-15, unfused (approximate weight 120 lbs.)

Type VIZ-15G, unfused (approximate weight 120 lbs.)



Type VIZ-15G, fused (approximate weight 122 lbs.)

Types VIZ-15 and -15G baseplate

## Selection guide

Primary voltage	Secondary voltage	Winding ratio	IEEE metering accuracy	Rated voltage factor	Thermal rating		Style number
					30° C	55° C	
<b>Type VIZ-15 (unfused)</b>							
24000/24000Y	120	200:1	0.3Z	1.1	2000	1500	9628A34G05
24940/24940Y	120	207.83:1	0.3Z	1.1	2000	1500	9628A34G03
26400/26400Y	120	220:1	0.3Z	1.1	2000	1500	9628A34G06
27600/27600Y	115	240:1	0.3Z	1.1	2000	1500	9628A34G01
34500/34500Y	115	300:1	0.3Z	1.1	2000	1500	9628A34G02
<b>Type VIZ-15G (unfused)</b>							
12000/20780GY	120	100:1	0.3Z	1.1	2000	1500	9629A81G01
14400/24940GY	120	120:1	0.3Z	1.1	2000	1500	9629A81G02
19920/34500GY	120	166:1	0.3Z	1.1	2000	1500	9629A81G03
24000/24000GY	120	200:1	0.3Z	1.1	2000	1500	9629A81G04
<b>Type VIZ-15G (fused)</b>							
12000/20780GY	120	100:1	0.3Z	1.1	2000	1500	9629A82G01
14400/24940GY	120	120:1	0.3Z	1.1	2000	1500	9629A82G02
16100/27900GY	115	140:1	0.3Z	1.1	2000	1500	9629A82G03
24000/24000GY	120	200:1	0.3Z	1.1	2000	1500	9629A82G04
18000/18000GY	120	150:1	0.3Z	1.1	2000	1500	9629A98G10
20125/34500GY	115	175:1	0.3Z	1.1	2000	1500	9629A98G01
20125/34500GY	67.08	300:1	0.3Z	1.1	2000	1500	9629A98G02
26400/26400GY	120	220:1	0.3Z	1.1	2000	1500	9629A98G06
27600/27600GY	115	240:1	0.3Z	1.1	2000	1500	9629A98G03
34500/34500GY	115	300:1	0.3Z	1.1	2000	1500	9629A98G04
<b>Type VIZ-15G (double secondary, fused)</b>							
16100/16100GY	115 & 115	140 & 140:1	0.3Z	1.1	2000	1500	9629A99G02

Note: 50 Hz styles available

Additional styles available upon request. Contact your ABB sales representative or call +1-252-827-3212 for more information.

## Optional accessories

Fuse kits to convert unfused VIZ-15 or VIZ-15G to fused style:

- VIZ-15 fuse kit: 9628A05G86  
Contains two CLE-PT fuses -  
0.5, 25.5 kV (style # 50C5225G04) and hardware
- VIZ-15G fuse kit : 9628A05G89  
Contains one CLE-PT fuse -  
0.5, 25.5 kV (style # 50C5225G04) and hardware

For more information please contact:

**ABB Inc.**

**Medium Voltage Distribution Components**

3022 NC 43 North

Pinetops, NC 27864

USA

Phone: +1 252 827 3212

Fax: +1 252 827 4286

**[www.abb.com/mediumvoltage](http://www.abb.com/mediumvoltage)**

**Note:**

The information contained in this document is for general information purposes only. While ABB strives to keep the information up to date and correct, it makes no representations or warranties of any kind, express or implied, about the completeness, accuracy, reliability, suitability, or availability with respect to the information, products, services, or related graphics contained in the document for any purpose. Any reliance placed on such information is therefore strictly at your own risk. ABB reserves the right to discontinue any product or service at any time.

Copyright 2005 ABB.

All rights reserved.