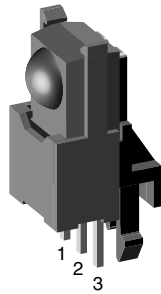
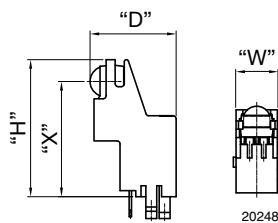


## Side View Holder: D = 8.6 mm, H = 13.2 mm, W = 7.2 mm, X = 9.6 mm



17274



20248

### FEATURES

- Material categorization: for definitions of compliance please see [www.vishay.com/doc?99912](http://www.vishay.com/doc?99912)



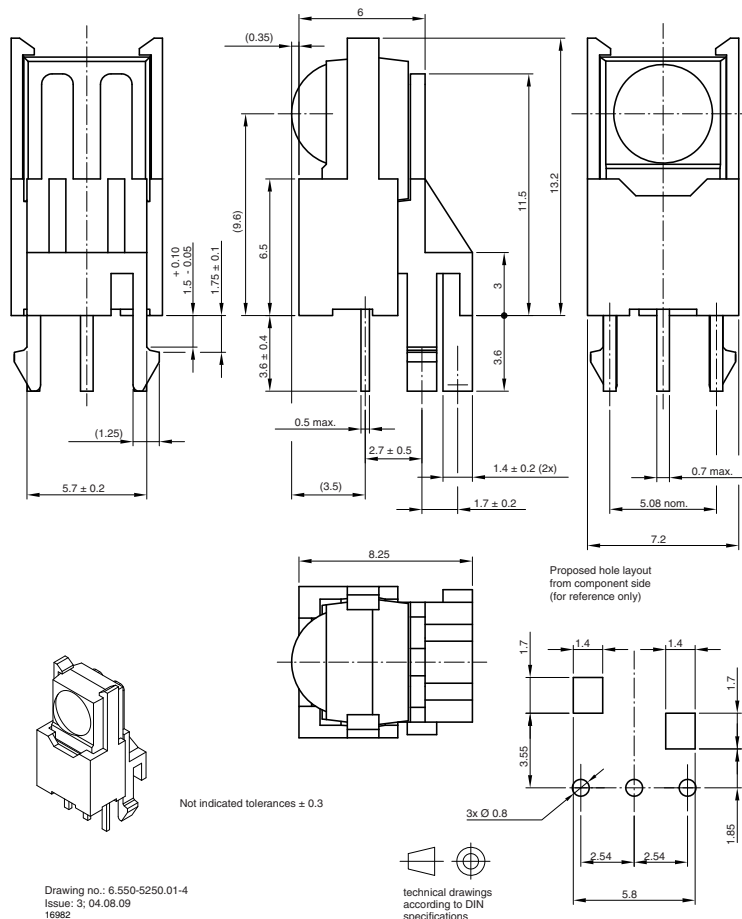
**RoHS**  
COMPLIANT  
HALOGEN  
**FREE**  
**GREEN**  
(5-2008)

### AVAILABLE FOR

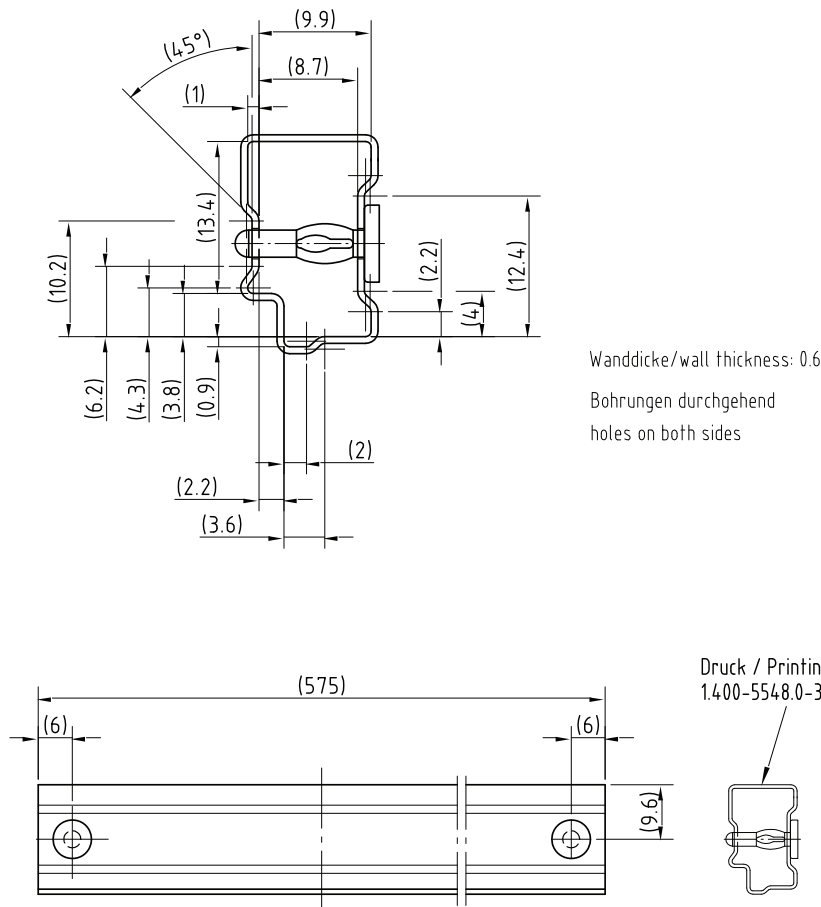
- Mold

NAME	LENS AXIS (X)	VIEW	TYPE	HEIGHT (H)	WIDTH (W)	DEPTH (D)
IV1	9.6	Side	Holder	13.2	7.2	8.6

### MECHANICAL DIMENSIONS in millimeters



**PACKAGING DIMENSIONS** in millimeters

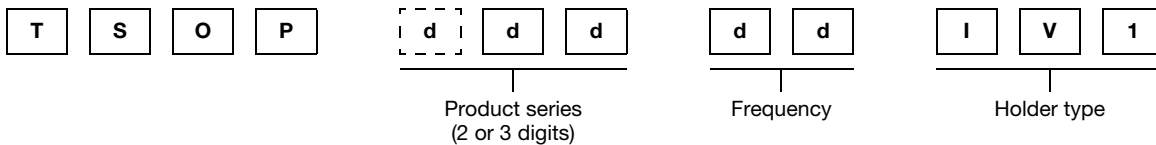


Drawing-No.: 9.700-5211.0-4  
Rev. 10; Date: 20.11.03

20260-1

1:1

**ORDERING INFORMATION**



**Note**

- d = "digit", please consult the list of available series on the previous page to create a valid part number

**Example: TSOP14838IV1**

**PACKING QUANTITY**

- 72 pieces per tube
- 33 tubes per carton

Vishay offers plastic and metal holder which have different characteristics:

- *Plastic Pros: nearly invisible behind the bezel*
- *Plastic Cons: cannot be reflow soldered, wave soldering deforms the hooks (visual issue only, the part is secured by the leads after soldering)*
- *Metal Pros: may be reflow and wave soldered, improves EMI and RF rejection*
- *Metal Cons: appears shiny behind the bezel, will oxidize over time (visual issue only, the holder functionality is not impaired)*