

DO NOT SCALE
DIMENSIONS IN mm

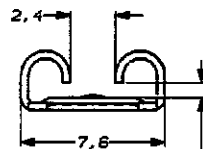
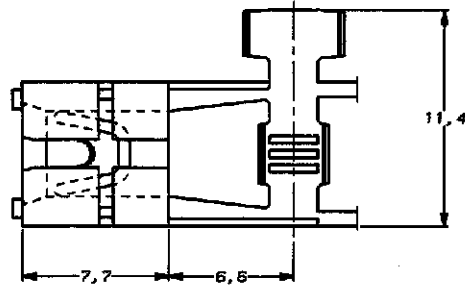
METRIC



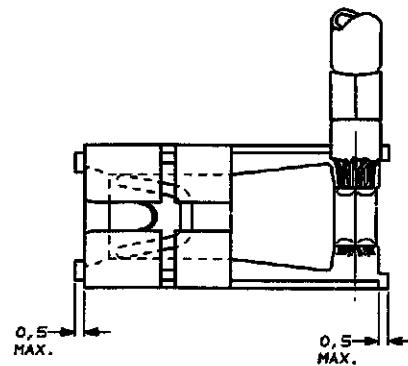
NOTES

- 1 FOR USE ON MINIATURE APPLICATORS (LEFT-RIGHT FEED)
- 2 HANDTOOL 180320 TO BE USED.
- 3 APPLICATION SPEC. 114-19025.
- 4 PRODUCT SPEC. 108-19084.

REVERSE REELED FOR MINI APPLICATOR.



FOR 0,8 mm TAB THICKNESS



WIRE RANGE :
0,5 - 1,5 mm²
INSULATION RANGE :
2,0 - 3,8 mm DIA.

DOC. CENTRE
10 DEC. 1993

LOOSE PIECE	FINISH	MATERIAL	PARTNUMBER
100688-4	TINPLATED	PH. BRONZE	1-100644-4
100688-3	UNPLATED	PH. BRONZE	1-100644-3
100688-2	TINPLATED	BRASS	1-100644-2
100688-1	UNPLATED	BRASS	1-100644-1
100688-4	TINPLATED	PH. BRONZE	100644-4
100688-3	UNPLATED	PH. BRONZE	100644-3
100688-2	TINPLATED	BRASS	100644-2
100688-1	UNPLATED	BRASS	100644-1

CUSTOMER DRAWING				FOR REFERENCE ONLY WILL NOT BE UPDATED	
-	-	-	-	-	-
-	-	-	-	-	-
-	-	-	-	-	-
-	-	-	-	-	-
B	EH-0935-93	P.B.	P.B.	09.12.89	AMP HOLLAND B.V. 's-Hertogenbosch, The Netherlands.
A	EH-0242-93	P.B.	P.B.	14.04.89	
O	H-9565	P.B.	A.B.	20.02.92	
LTR.	REVISION RECORD		DR.	CHK.	DATE
DR.	P.B./M.H.	CHK.	A.B./M.H.	APP.	DATE
DATE:	20.02.92	DATE:	-	DATE:	06.04.93
Dwg. No.			REV. LTR.		
C-100644			B		
SHEET			1 OF 1		
A3					