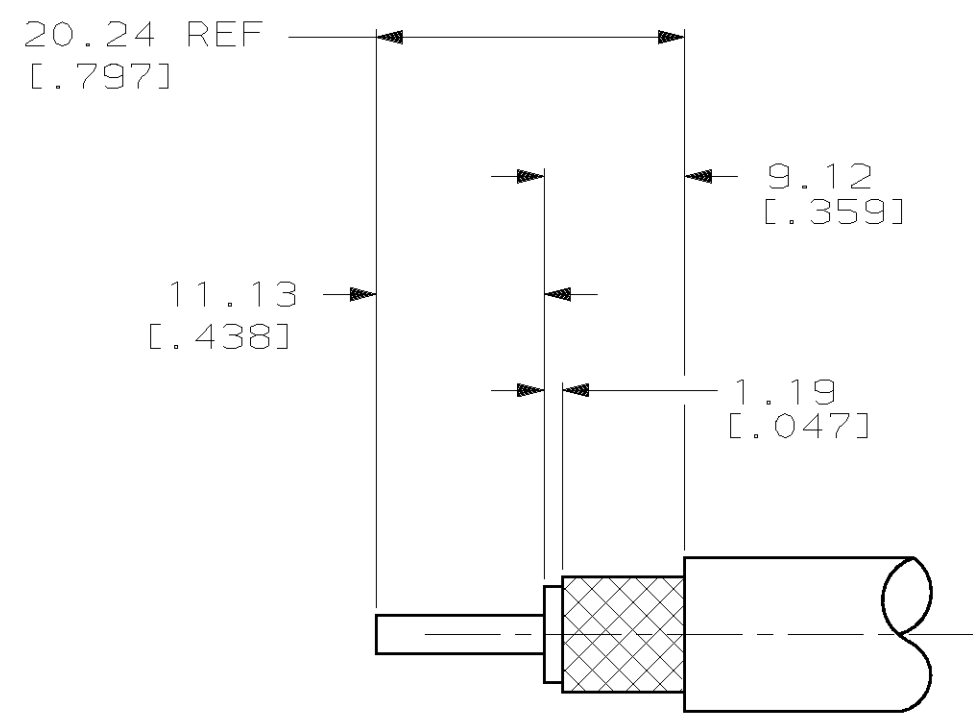
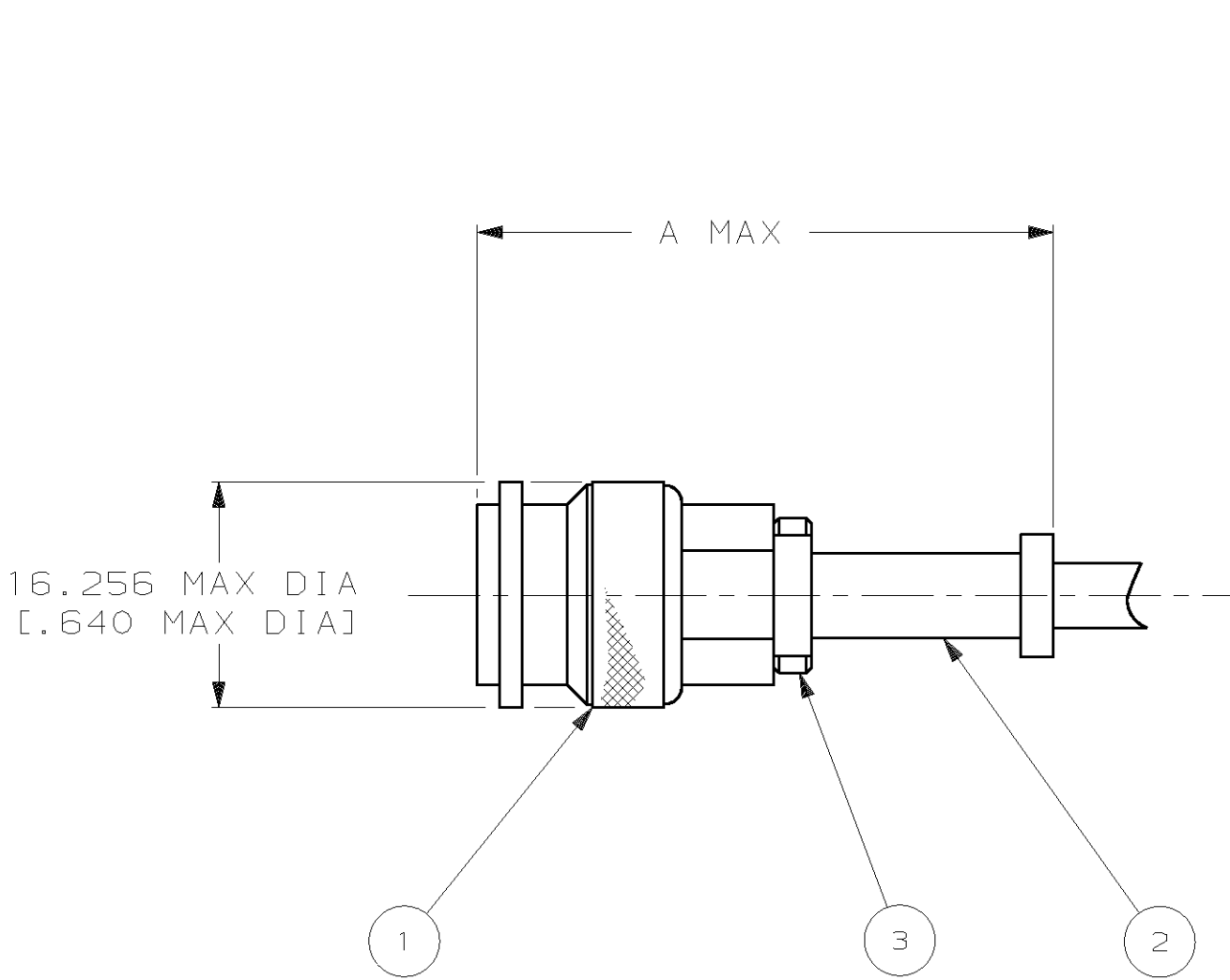


THIS DRAWING IS UNPUBLISHED. RELEASED FOR PUBLICATION
 © COPYRIGHT 19 BY AMP INCORPORATED. ALL INTERNATIONAL RIGHTS RESERVED.

LOC		DIST		P		F		ZONE		LTR		REVISIONS		
AJ		16								V		DESCRIPTION	DATE	APPD
												OBSOLETE -23 PER OE10-0114-99	19JAN00	MO

1. SEE I.S. 1898
2. WEIGHT: .666 OZ.
3. SUPERSEDED BY 225555-5
4. WEIGHT: .68 OZ
5. SUPERSEDED BY 2-330953-3



RECOMMENDED STRIP LENGTH

OBSOLETE	40.64 [1.600]	69376-3	RG-223/U	330932	1-330927-0	330951	5-330953-1
	40.64 [1.600]	69376-3	RG-55/U, 55A/U, 55B/U & 223/U	330932	1-330927-0	330951	2-330953-3
	38.99 [1.535]	69376	RG-142/U, 142A/U, & 142B/U	1-330932-0	226696-1	330951	2-330953-2
	40.64 [1.600]	69376-3	RG-141/U & 141A/U	1-330932-0	330927	330951	2-330953-1
	40.64 [1.600]	69376-3 (ALL SIZES), 69376-1 (RG-58C/U ONLY)		RG-58/U, 58B/U, & 58C/U	330932	330927	330951
A	CRIMPING TOOL		FOR USE WITH CABLE	3 CRIMP END QTY=1	2 FERRULE QTY=1	1 PLUG ASSY QTY=1	PART NUMBER

DO NOT SCALE PRINT. UNLESS SPECIFIED DIMENSIONS IN mm [INCHES] TOLERANCES ON : 2 PLC DEC ± 0.41 [.016] 3 PLC DEC ± - ANGLES ± -		DR 6-25-91 S.D.KOHL		AMP Incorporated Harrisburg, PA 17105-3608	
MATERIAL -		CHK 9-23-91 J. LIPPERT			
FINISH -		APPD 9-23-91 M. PHILLIPS		NAME	
		APPD 9-23-91 J. LIPPERT		PLUG, SERIES TNC	
		PRODUCT SPEC -		SIZE CAGE CODE DRAWING NO	
		APPLICATION SPEC -		C 00779 330953	
		WEIGHT -		SCALE 2:1 SHEET 1 OF 1	