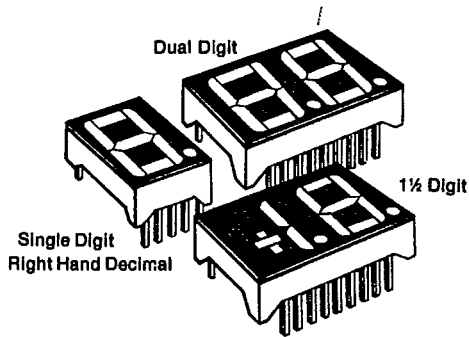




LED DISPLAYS

.56" Single & Multiple MAN Series Digits

T-41-33



FEATURES

- Large, Easy-to-Read Digits
- Choice of Colors: Red, High Efficiency Red, Orange, Yellow and High Efficiency Green
- Choice of Single, Dual or 1½ Digit Versions
- Choice of Common Anode or Common Cathode
- Rugged Filled Reflector Type Construction
- IC Compatible
- Categorized for Luminous Intensity Matching
- Four Corner Stand-Off for Stability
- Grey Body Improves "Off" Segment Contrast on All But MAN67XX Series which is Black Body

APPLICATIONS

- Clocks
- Radios
- Computers
- Instruments
- TV Channel Indicators
- Elevators
- Test Equipment
- Numerical Control Equipment

ABSOLUTE MAXIMUM RATINGS

Power Dissipation (Per Segment): **60mW**
 Continuous Forward Current (Per Segment): **25mA**
 Reverse Voltage (Per Segment): **5.0V**
 Operating Temperature: **-40° to +85°C**
 Storage Temperature: **-40° to +85°C**
 Lead Soldering Temperature
 260°C 1/16" from body: **3 secs (Max.)**

DESCRIPTION

This series of .56" displays offer industry standard digits in a full range of colors and packages including single digit, 1½ digits, and double digits. They also feature common cathode and common anode pin-outs. The .56" series offers right-hand decimal points and curved corners for easy viewing. The digits have a "four corner stand-off system" that facilitates automated mounting and soldering.

ELECTRO-OPTICAL CHARACTERISTICS

Symbol	Parameter	Conditions	Red		Hi Eff. Red		Orange		Yellow		Hi Eff. Green		Units
			Min	Typ Max	Min	Typ Max	Min	Typ Max	Min	Typ Max	Min	Typ Max	
V _F	Forward Voltage	I _F = 10mA	2.0	2.8	2.0	2.8	2.0	2.8	2.1	2.8	2.1	2.8	V
I _V	Luminous Intensity (Per Segment)	I _F = 10mA	1.6		1.6		1.5		1.0		2.2		mcd
I _R	Reverse Current	V _R = 5.0V		100		100		100		100		100	µA
λ _p	Peak Wavelength	I _F = 10mA	650		635		610		585		565		nm
Δλ	Spectral Line Halfwidth	I _F = 10mA	40		40		40		40		40		nm



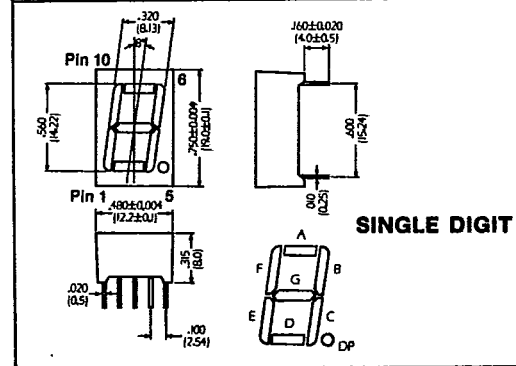
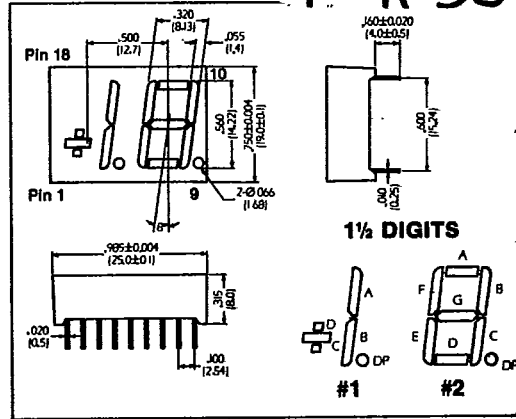
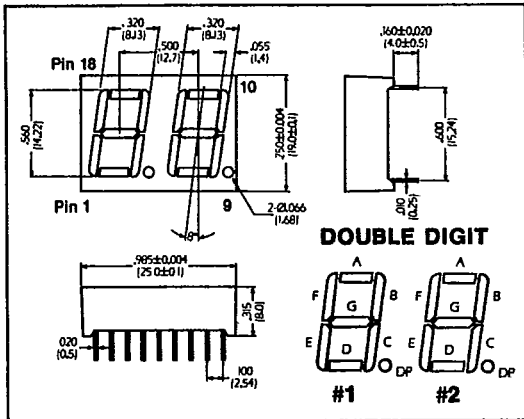
THREE-FIVE SYSTEMS, INC.
 Optoelectronics Group
 TEL: 602-496-0035; FAX: 602-496-0168

THREE-FIVE SYSTEMS, LTD.
 Swindon, U.K.

TEL: (0793) 618835; FAX: (0793) 614127

.56" SINGLE AND MULTIPLE MAN DIGIT LED DISPLAYS

T-41-33



PART DESCRIPTION

Part No.	Color	Description
MAN6410	Hi Eff Grn	Common Anode, Double Digit
MAN6430	Hi Eff Grn	Common Anode, 1 1/2 Digits
MAN6440	Hi Eff Grn	Common Cathode, Double Digit
MAN6450	Hi Eff Grn	Common Cathode, 1 1/2 Digits
MAN6460	Hi Eff Grn	Common Anode, Single Digit
MAN6480	Hi Eff Grn	Common Cathode, Single Digit
MAN6610	Orange	Common Anode, Double Digit
MAN6630	Orange	Common Anode, 1 1/2 Digits
MAN6640	Orange	Common Cathode, Double Digit
MAN6650	Orange	Common Cathode, 1 1/2 Digits
MAN6660	Orange	Common Anode, Single Digit
MAN6680	Orange	Common Cathode, Single Digit
MAN6710	Red	Common Anode, Double Digit
MAN6730	Red	Common Anode, 1 1/2 Digits
MAN6740	Red	Common Cathode, Double Digit
MAN6750	Red	Common Cathode, 1 1/2 Digits
MAN6780	Red	Common Anode, Single Digit
MAN6780	Red	Common Cathode, Single Digit
MAN6810	Yellow	Common Anode, Double Digit
MAN6830	Yellow	Common Anode, 1 1/2 Digits
MAN6840	Yellow	Common Cathode, Double Digit
MAN6850	Yellow	Common Cathode, 1 1/2 Digits
MAN6880	Yellow	Common Anode, Single Digit
MAN6880	Yellow	Common Cathode, Single Digit
MAN6910	Hi Eff Red	Common Anode, Double Digit
MAN6930	Hi Eff Red	Common Anode, 1 1/2 Digits
MAN6940	Hi Eff Red	Common Cathode, Double Digit
MAN6950	Hi Eff Red	Common Cathode, 1 1/2 Digits
MAN6960	Hi Eff Red	Common Anode, Single Digit
MAN6980	Hi Eff Red	Common Cathode, Single Digit

Legend—Hi Eff, High Efficiency

PINOUTS

Pin	Double Digit		1 1/2 Digit		Single Digit	
	Common Anode	Common Cathode	Common Anode	Common Cathode	Common Anode	Common Cathode
1	E, #1	E, #1	C, #1	C, #1	E	E
2	D, #1	D, #1	D, #1	D, #1	D	D
3	C, #1	C, #1	B, #1	B, #1	Ano.	Cath
4	DP, #1	DP, #1	DP, #1	DP, #1	C	C
5	E, #2	E, #2	E, #2	E, #2	DP	DP
6	D, #2	D, #2	D, #2	D, #2	B	B
7	G, #2	G, #2	G, #2	G, #2	A	A
8	C, #2	C, #2	C, #2	C, #2	Ano.	Cath
9	DP, #2	DP, #2	DP, #2	DP, #2	F	F
10	B, #2	B, #2	B, #2	B, #2	G	G
11	A, #2	A, #2	A, #2	A, #2		
12	F, #2	F, #2	F, #2	F, #2		
13	Ano., #2	Cath. #2	Ano. #2	Cath. #2		
14	Ano. #1	Cath. #1	Ano. #1	Cath. #1		
15	B, #1	B, #1	A, #1	A, #1		
16	A, #1	A, #1	NC	NC		
17	G, #1	G, #1	NC	NC		
18	F, #1	F, #1	NC	NC		

LEGEND—Ano., Anode; Cath., Cathode; #1 indicates left hand digit; #2 indicates right hand digit; DP, Decimal Point; NC, No Connection.

STANDARD DISPLAYS



THREE-FIVE SYSTEMS, INC.

Optoelectronics Group

TEL: 602-496-0035; FAX: 602-496-0168

THREE-FIVE SYSTEMS, LTD.

Swindon, U.K.

TEL: (0793) 618635; FAX: (0793) 614127