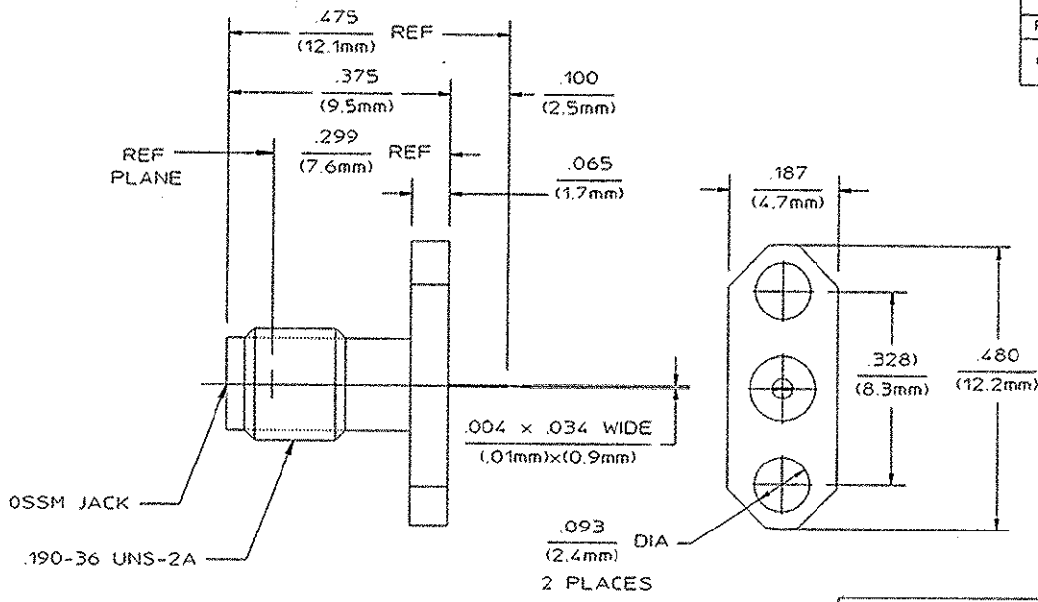


REVISIONS			
REV	DESCRIPTION	DATE	APPROVED
01	RELEASED	4/24/91	S.T.M.



NOTES:
1. NON-CAPTIVATED CENTER CONDUCTOR.

ELECTRICAL	MECHANICAL	ENVIRONMENTAL
Nominal Impedance (Ohms) 50	Interface Dimensions MIL-STD-328A	Temperature Rating -65°C to +125°C
Frequency Range (GHz) DC to 26.5	Fig. 319.2	Vibration MIL-STD-202, Method 204, Condition D
Volt Rating (VRMS MAX)	Recommended Mating	Shock MIL-STD-202, Method 213, Condition 1
Sea Level 250	Torque 7 to 8 in/Lbs	Thermal Shock MIL-STD-202, Method 107, Condition B
VSWR 107 ± 0.10 (1GHz)	Mating Characteristics:	Moisture Resistance MIL-STD-202, Method 106, Except Vibration
Insertion Loss (dB MAX) .04 √(1GHz)	Insertion (MAX Lbs) 3.0	Corrosion - MIL-STD-202, Method 101, Condition B, 5% salt spray
RF Leakage (dB MIN) -190 (1GHz)	Withdrawal (MIN Oz) 1.0	
Corona, 70,000 Ft (VRMS MIN) 190	Force to Engage and Disengage (in/Lbs MAX) 2.0	
Dielectric Withstanding Voltage (VRMS MIN) @ Sea Level 750	Center Contact Captivation	
Contact Resistance (Milliohms MAX)	Axial (Lbs) N/A	
Center Contact 2.0	Radiat (in/Oz) N/A	
Outer Contact 2.0	Cable Retention	
Cable to Housing N/A	Axial Force (Lbs) N/A	
RF High Potential @ Sea Level (VRMS MIN @ 5 MHz) 500	Torque (in/Oz) N/A	
IR (Megohms MIN) 5,000	Weight (Grams) 1.0	

COMPONENT	MATERIAL	FINISH
HOUSING	STAINLESS STEEL PER ASTM-A484 AND ASTM-A582, TYPE 303	PASSIVATED PER ASTM-A380
DIELECTRIC	TFE FLUOROCARBON PER ASTM-D-1457	N/A
CENTER CONTACT	BERYLLIUM COPPER PER ASTM B 196, ALLOY C17300, CONDITION H	GOLD PLATE PER MIL-G-45204 OVER COPPER PLATE PER MIL-C-14550

UNLESS OTHERWISE SPECIFIED DIMENSIONS ARE IN INCHES	DRAWN BY TMC 9/22/91	 Omni Spectra, Inc. Microwave Connector Division
TOLERANCE ON	CHECKED BY K.C. MAHER 4/23/91	
FRACTION DECIMAL ANGLES	APPROVED BY S.T.M. 4/24/91	
USE ASSY PROCEDURE	NO AP...N/A.....	TITLE OSSM 2-HOLE FLANGE MOUNT JACK RECEPTACLE TAB TERMINAL SIZE B CODE ORGT NO 26805 1052-1302-02 REV 01 SCALE 5 : 1 SHEET 1 OF 1

CUSTOMER

Typed Part # 1045586
SHEET 1 of 1 REV 0