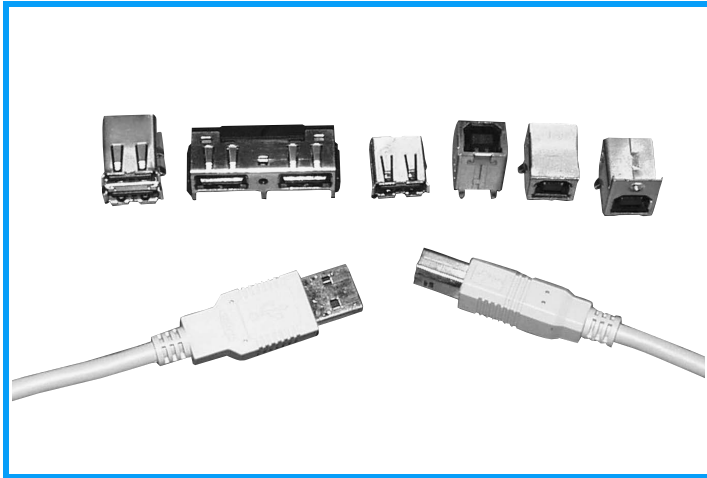


Universal Serial Bus Connector

B
DUSB



The Universal Serial Bus is a new standard connecting multiple low and high speed peripheral devices to computers using a signal port. DDK offers a family of external I/O connectors that meet this standard.

FEATURE

- For low to high speed bus connections, 1.5 Mbps to 480 Mbps
- 4 reliable ribbon style contacts, 2 signal and 2 power
- Fully shielded design features protection from electrostatic discharge
- Power and grounding contacts feature a pre-mating design for circuit protection
- Hot pluggable for plug and play applications

APPLICATION

Computer, Printer, Modem, Keyboard, Mouse, Scanner, Hub, and other multimedia device.

SPECIFICATION

Voltage Rating	30V AC(rms)
Current Rating	1.0A/contact
Dielectric withstanding voltage	750V AC (rms) for 1 minute
Insulation resistance	1000M Ω min. at 500V DC
Contact resistance	30m Ω max.

MATERIAL/FINISH

Contact	Copper alloy / Mating area: Gold over Nickel plating, Tail area: Tin-lead plating
Insulator	PBT resin or PA resin (UL94V-0) color black
Shell	Copper alloy or Steel / Tin-lead plating

USB A to B Cable Assembly

B
DUSB

DUSB-HAB23-FC10

CN-1 CONNECTOR STYLE
A: SERIES A TYPE

CN-2 CONNECTOR STYLE
B: SERIES B TYPE

CABLE COLOR
3: LIGHT GRAY

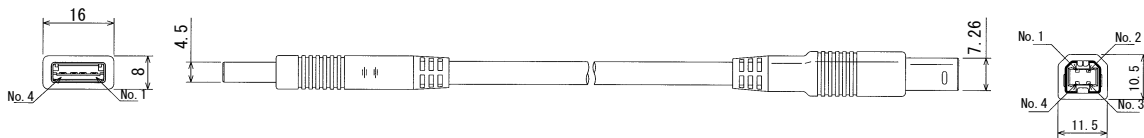
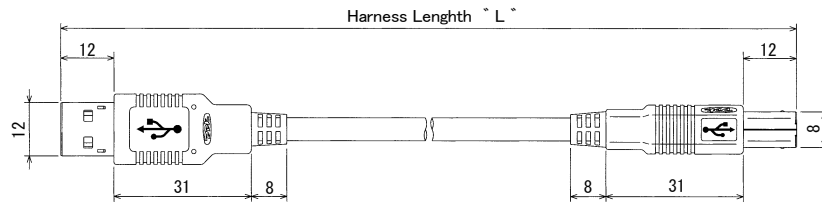
CABLE STYLE
F: FULL RATED TYPE

HARNESS LENGTH " L "
10 : 1 meter
20 : 2 meter
*30 : 3 meter
*50 : 5 meter

CABLE WIRE SIZE

POWER	SIGNAL
*A : AWG 28	AWG 28
*B : AWG 26	AWG 28
C : AWG 24	AWG 28
*D : AWG 22	AWG 28
*E : AWG 20	AWG 28

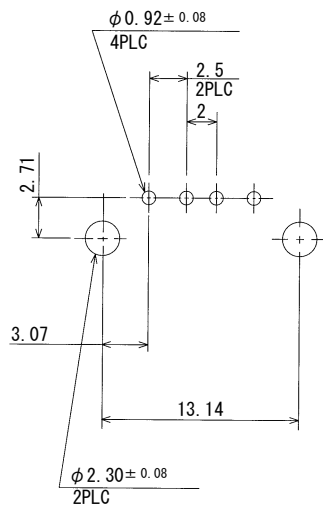
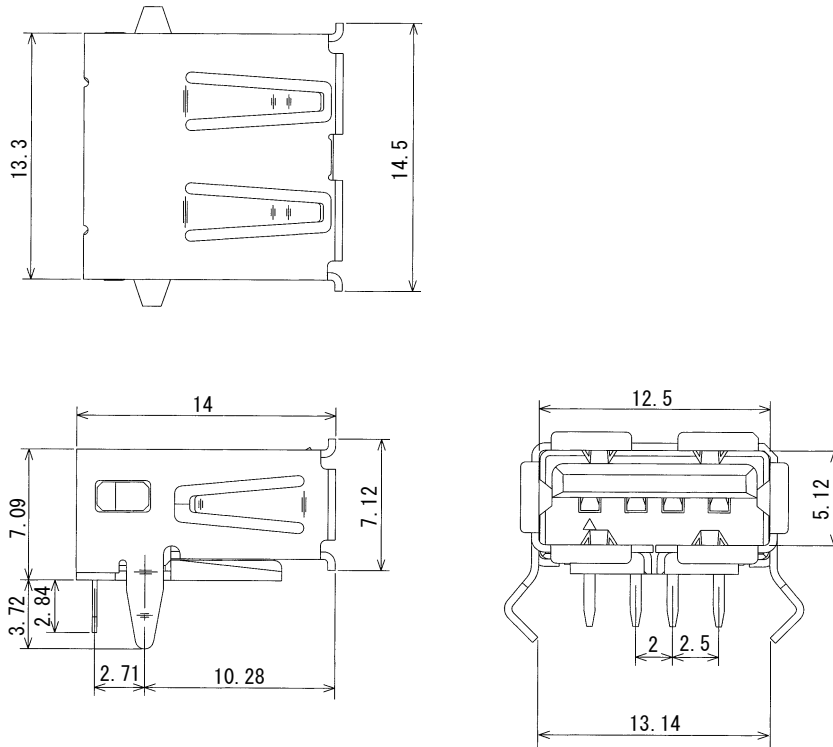
* : Please consult with us for availability.



■ USB A Type Receptacle

B
DUSB

DUSB-ARA42-T11A

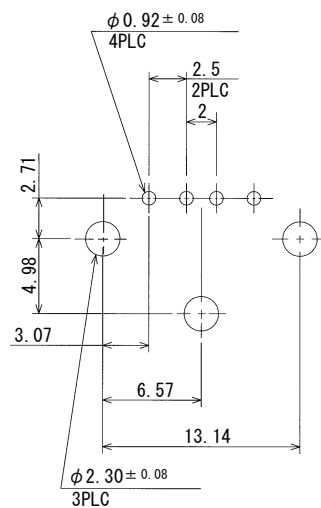
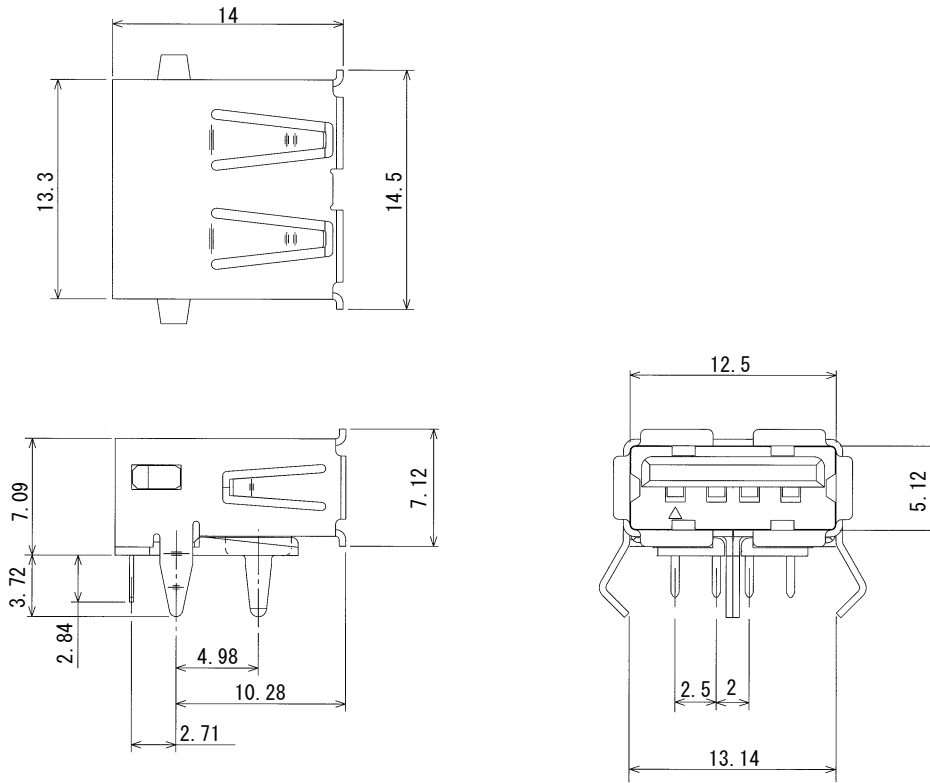


PCB Mounting Dimensions
PCB Thickness : 1.57 ± 0.19

■ USB A Type Receptacle (Extra leg Style)

DUSB-ARA42-T11A (D2)

B
DUSB

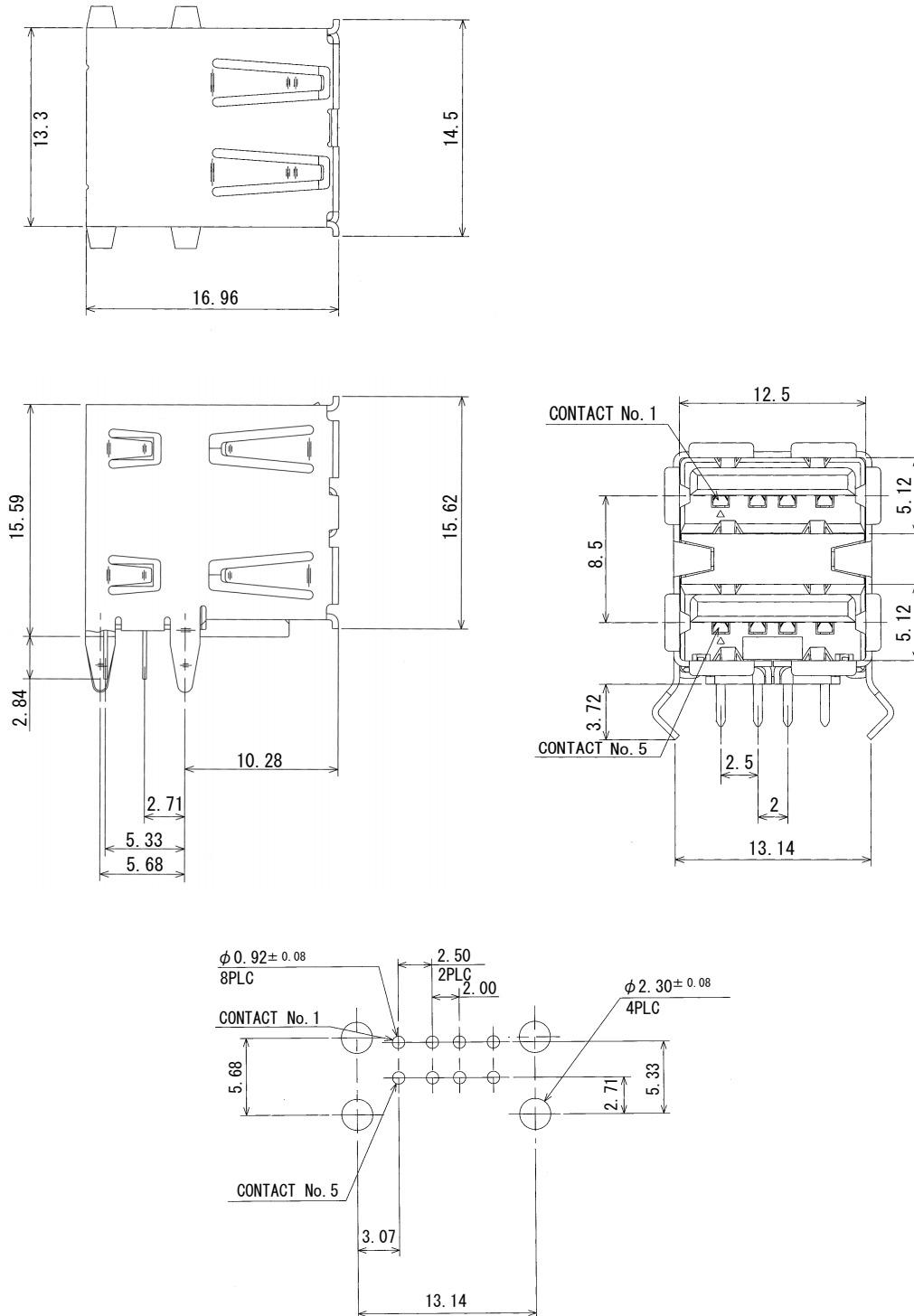


PCB Mounting Dimensions
PCB Thickness : 1.57 ± 0.19

■ USB A Type Receptacle (Double-decker Style)

B
DUSB

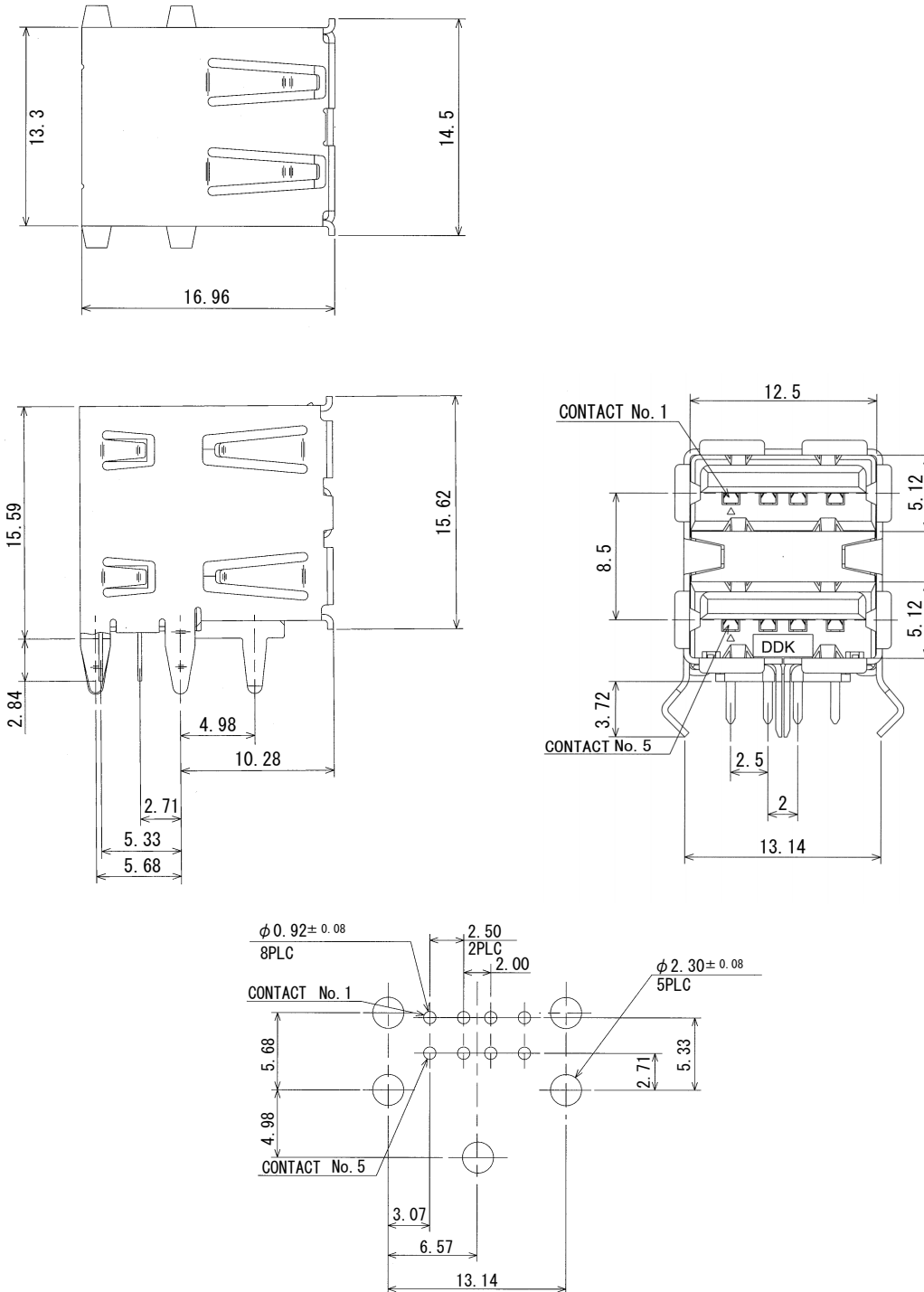
DUSB-ARB82-T11A



■ USB A Type Receptacle (Double-decker/Extra leg Style)

DUSB-ARB82-T11A (D2)

B
DUSB

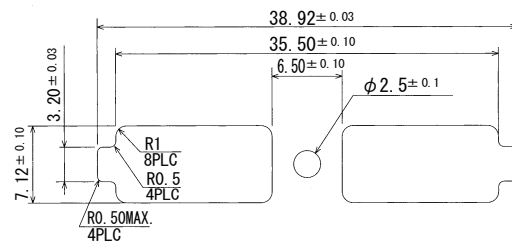
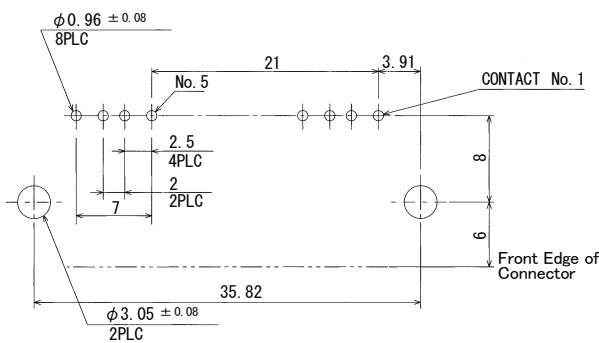
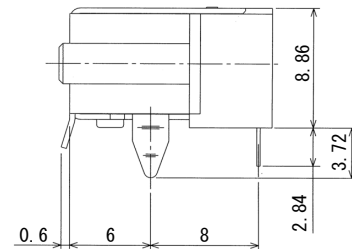
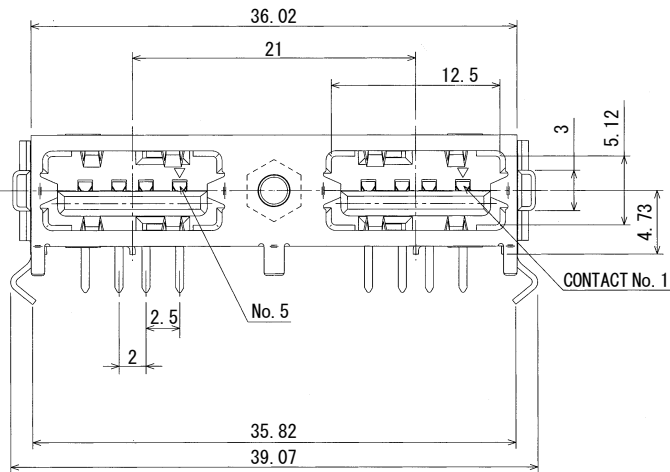
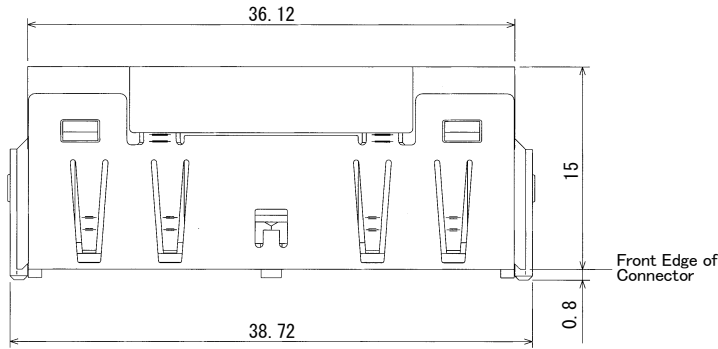


PCB Mounting Dimensions
PCB Thickness : 1.57 ± 0.19

USB A Type Receptacle (Side-by-side Style)

B
DUSB

DUSB-ARC82-T11 (D1)



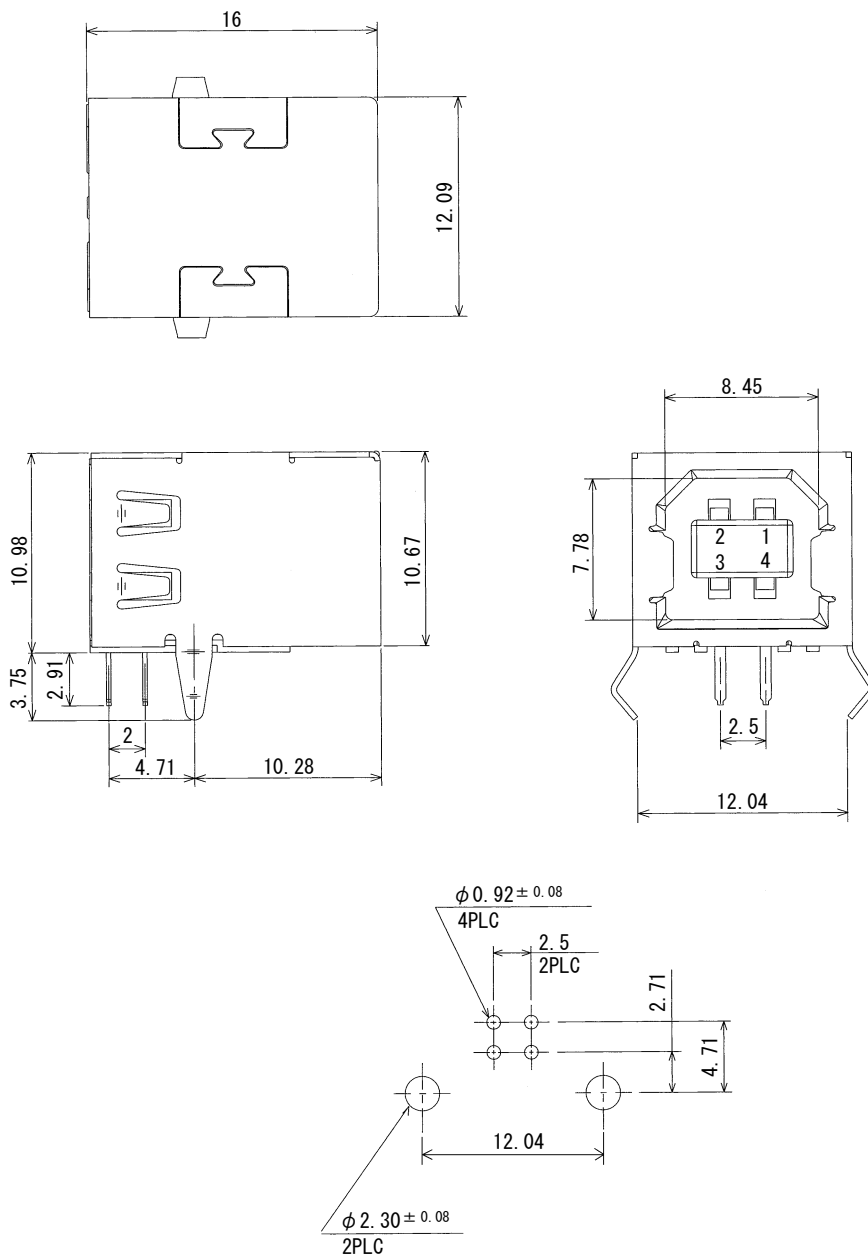
PCB Mounting Dimensions
 PCB Thickness : 1.57 ± 0.19

Panel Cutout Dimensions
 Panel Thickness : 0.8 ± 0.05

■ USB B Type Receptacle

DUSB-BRA42-T11

B
DUSB

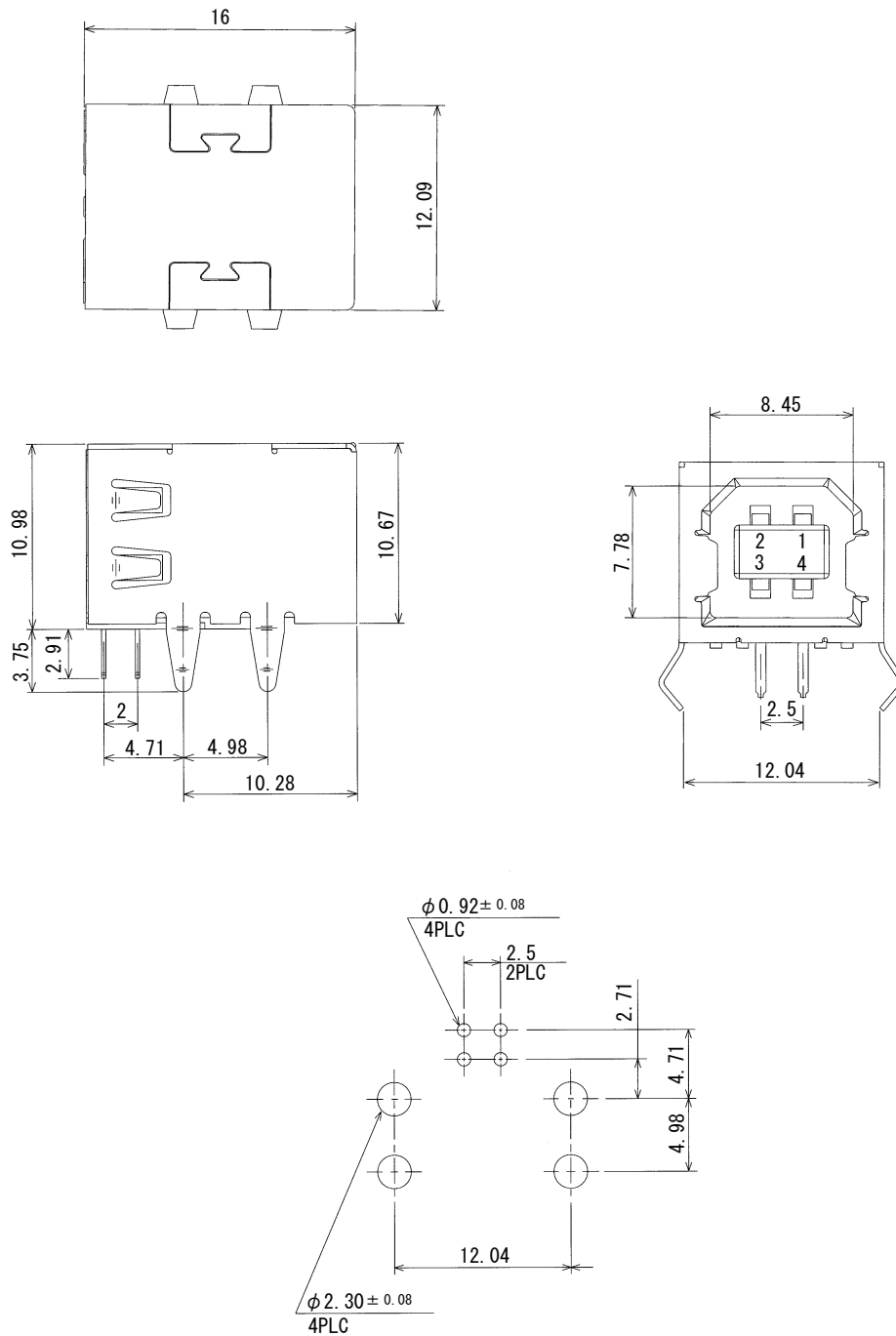


PCB Mounting Dimensions
PCB Thickness : 1.57 ± 0.19

■ USB B Type Receptacle (Extra Board Lock Style)

B
DUSB

DUSB-BRA42-T11 (D2)



PCB Mounting Dimensions
PCB Thickness : 1.57 ± 0.19

■ USB B TYPE RECEPTACLE (Vertical Style)

DUSB-BRG42-T12

B
DUSB

