

# SMT GATE DRIVE TRANSFORMERS

## 1500V<sub>ACrms</sub> Basic and Operational Insulation



- ⊕ Maximum reflow temperature: +235°C (RoHS 245°C)
- ⊕ Storage temperature: -55°C to +125°C
- ⊕ Moisture sensitivity Level (MSL): 3
- ⊕ 1500V<sub>ACrms</sub> isolation between gate and drive
- ⊕ Basic insulation (1.4mm creepage/clearance) and operational available
- ⊕ Part designed for rugged environments
- ⊕ Construction techniques assure excellent resistance to vibration and shock
- ⊕ Operating frequency: 50kHz and up
- ⊕ Tape and Reel packaging available

### Electrical Specifications @ 25°C — Operating Temperature -40°C to +130°C

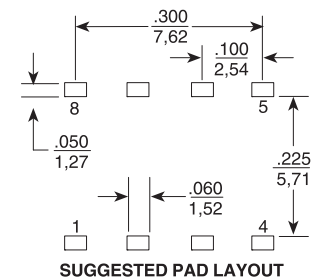
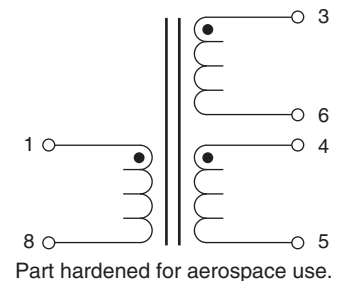
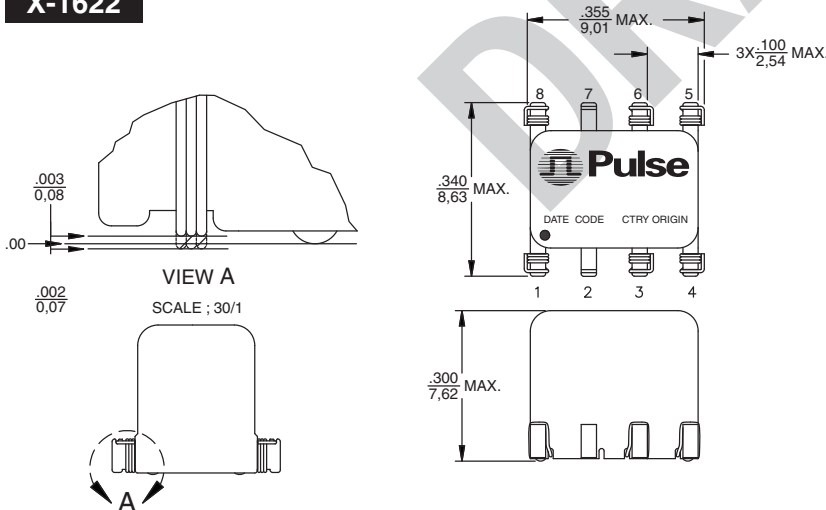
Part Number	Turns Ratio	Pri-Sec Isolation (V <sub>ACrms</sub> )	MAX <sup>1</sup> V*μsec	Primary Inductance (μH MIN)	Leakage <sup>2</sup> Inductance (μH MAX)	DCR Primary (Ω MAX)	DCR Secondary (Ω MAX)	Package Size (L x W x H) (mm MAX)
X-1622	1:1:1	1500	60	1800	0.60	1.6	1.6	9.0 x 8.6 x 7.6

- NOTES:**
- The maximum volt-sec rating limits the flux density to 2200 Gauss when used in a unipolar drive application. For bi-polar drive applications a maximum volt-sec of two time this rating is acceptable. [2\*(volt\* sec ratio)]
  - Leakage Inductance is measured at the primary terminals with all secondaries shorted.
  - Add suffix "T" to part number for Tape & Reel package.
  - Add suffix "NL" to part number for RoHS compliant part; i.e. X-1622NL.

### Mechanical

### Schematic

**X-1622**



### For More Information:

**Pulse Worldwide Headquarters**  
12220 World Trade Dr.  
San Diego, CA 92128  
U.S.A.

**Pulse Europe**  
Einsteinstrasse 1  
D-71083 Herrenberg  
Germany

**Pulse China Headquarters**  
B402, Shenzhen Academy of  
Aerospace Technology Bldg.  
10th Kejian Rd.  
High-Tech Zone  
Nanshan District  
Shenzen, PR China 518057

**Pulse North China**  
Room 2704/2705  
Super Ocean Finance Ctr.  
2067 Yan An Rd. West  
Shanghai 200336  
China

**Pulse South Asia**  
135 Joo Seng Rd.  
#03-02  
PM Industrial Bld g.  
Singapore 368363

**Pulse North Asia**  
3F, No. 198  
Zhongyuan Rd.  
Zhongli City  
Taoyuan County 320  
Taiwan R. O. C.

[www.pulseeng.com](http://www.pulseeng.com)

Tel: 858 674 8100  
Fax: 858 674 8262

Tel: 49 7032 7806 0  
Fax: 49 7032 7806 135

Tel: 86 755 33966678  
Fax: 86 755 33966700

Tel: 86 21 62787060  
Fax: 86 2162786973

Tel: 65 6287 8998  
Fax: 65 6287 8998

Tel: 886 3 4356768  
Fax: 886 3 4356823 (Pulse)  
Fax: 886 3 4356820 (FRE)

Performance warranty of products offered on this data sheet is limited to the parameters specified. Data is subject to change without notice. Other brand and product names mentioned herein may be trademarks or registered trademarks of their respective owners.

© Copyright, 2010. Pulse Engineering, Inc. All rights reserved.

[www.pulseeng.com](http://www.pulseeng.com)

DRAFT M143.A (4/10)