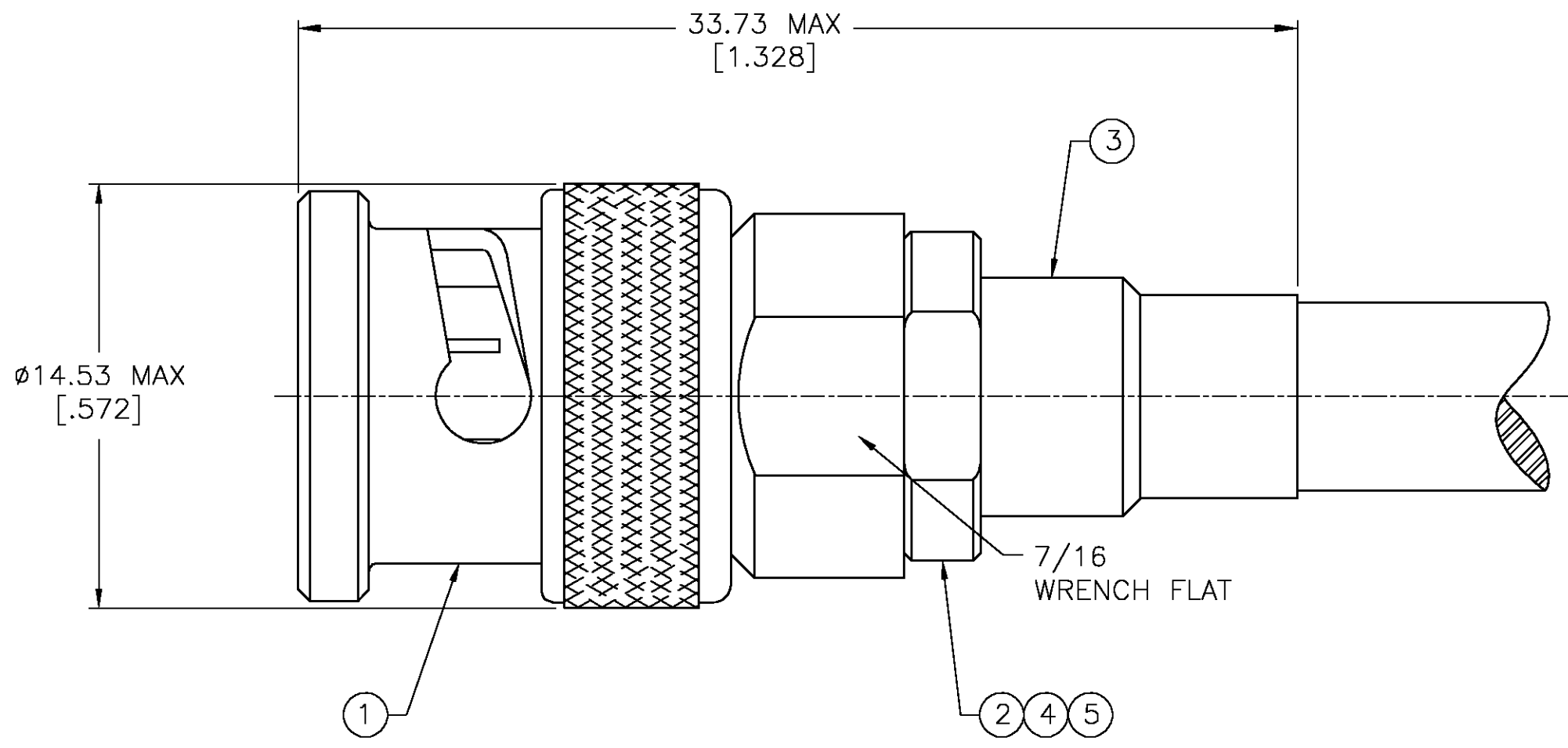


THIS DRAWING IS UNPUBLISHED. RELEASED FOR PUBLICATION  
 © COPYRIGHT BY TYCO ELECTRONICS CORPORATION. ALL RIGHTS RESERVED.

LOC	DIST	REVISIONS					
AJ	00	P	LTR	DESCRIPTION	DATE	DWN	APVD
		G		REV PER OS14-0338-04	12-20-04	JDP	JL



- NOTES:
1. USE CRIMPING TOOL 69667.
  2. SEE INSTRUCTION SHEET 408-2055.
  3. PARTS PACKAGED SEPARATELY.

ROLM 49D2401 TWINAX	332214	332222-1	9-332224-0	1-332221-5	5-330949-0	332225-6
RG 108/U & 108A/U	332214	332222-1	9-332224-0	1-332221-4	5-330949-0	332225-5
TROMPETER TWC-124-2	332214	332222	1-332224-0	1-332221-3	2-330949-2	332225-3
RG 108/U & 108A/U	332214	332222	1-332224-0	332221	2-330949-2	332225
FOR USE WITH CABLE	⑤ SEAL QTY=1	④ DIELECTRIC QTY=1	③ FERRULE QTY=1	② CRIMP END QTY=1	① PLUG ASSY QTY=1	PART #

THIS DRAWING IS A CONTROLLED DOCUMENT.

DIMENSIONS: MM	TOLERANCES UNLESS OTHERWISE SPECIFIED:	DWN G. VIERA 10JUL03	<b>tyco</b> Tyco Electronics Corporation Harrisburg, PA 17105-3608
	0 PLC ± - 1 PLC ± - 2 PLC ± - 3 PLC ± - 4 PLC ± - ANGLES ± 1'	CHK J. HAVENER 10JUL03	
MATERIAL -	FINISH -	APVD J. HAVENER 10JUL03	NAME PLUG, TWIN BNC
		PRODUCT SPEC -	SIZE A3 CAGE CODE 00779 DRAWING NO C-332225 RESTRICTED TO -
		APPLICATION SPEC -	WEIGHT 0.50 OZ. SCALE 5:1 SHEET 1 OF 1 REV G
		CUSTOMER DRAWING	