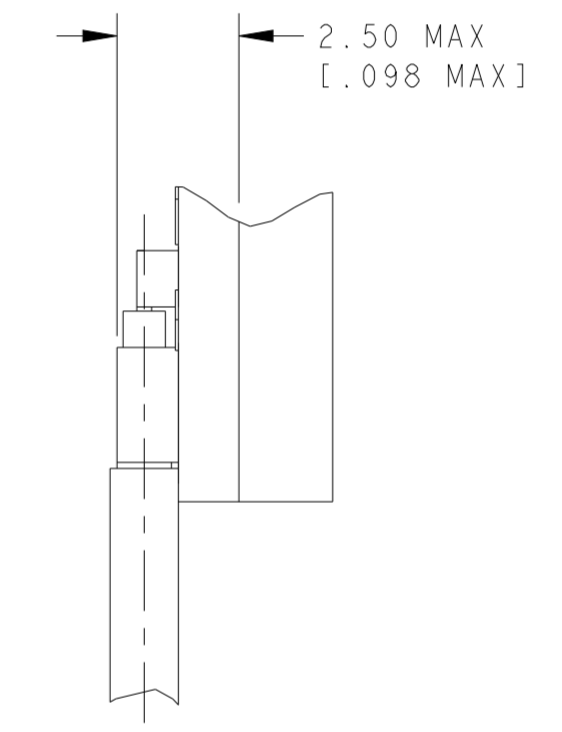
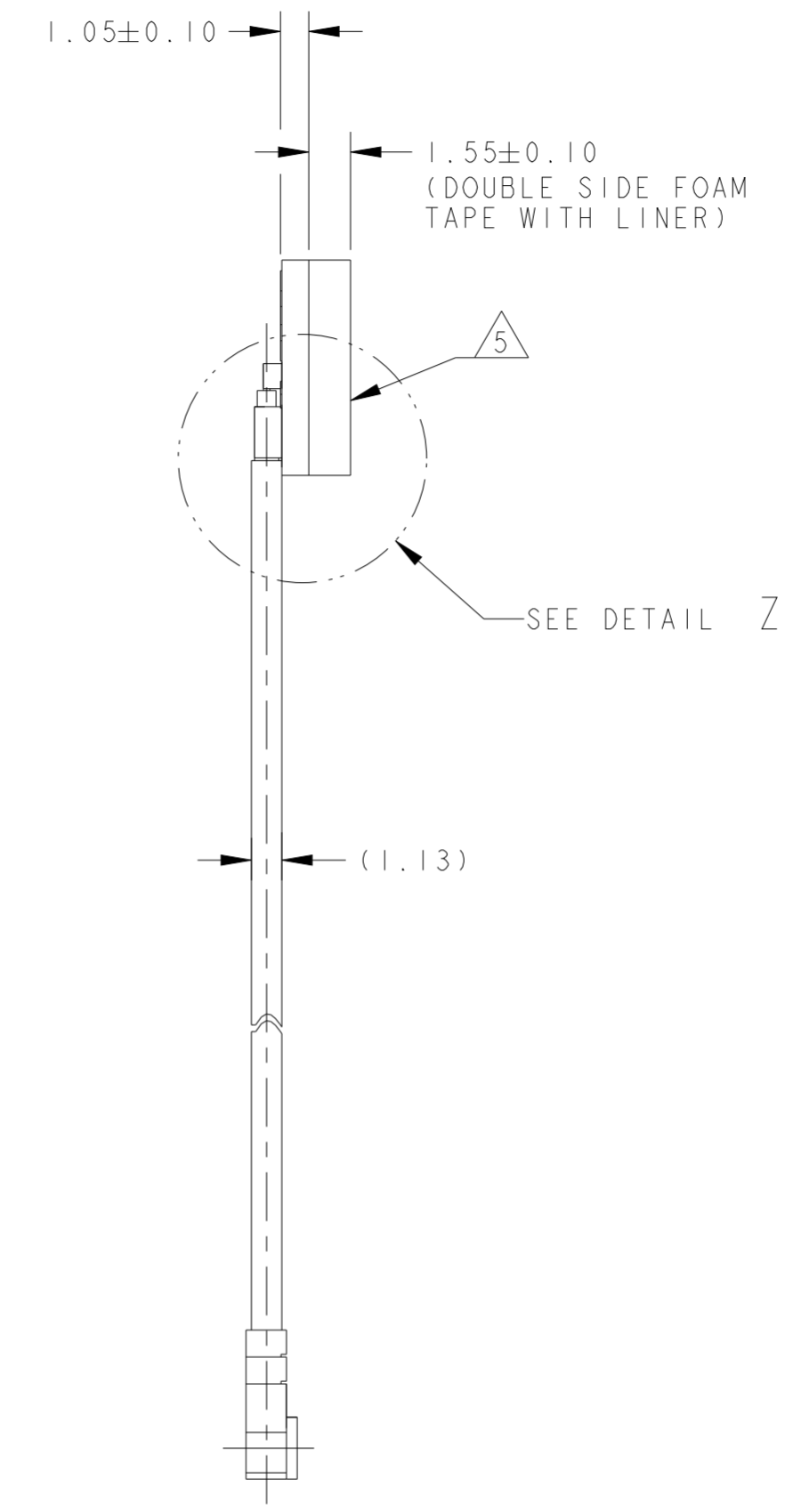
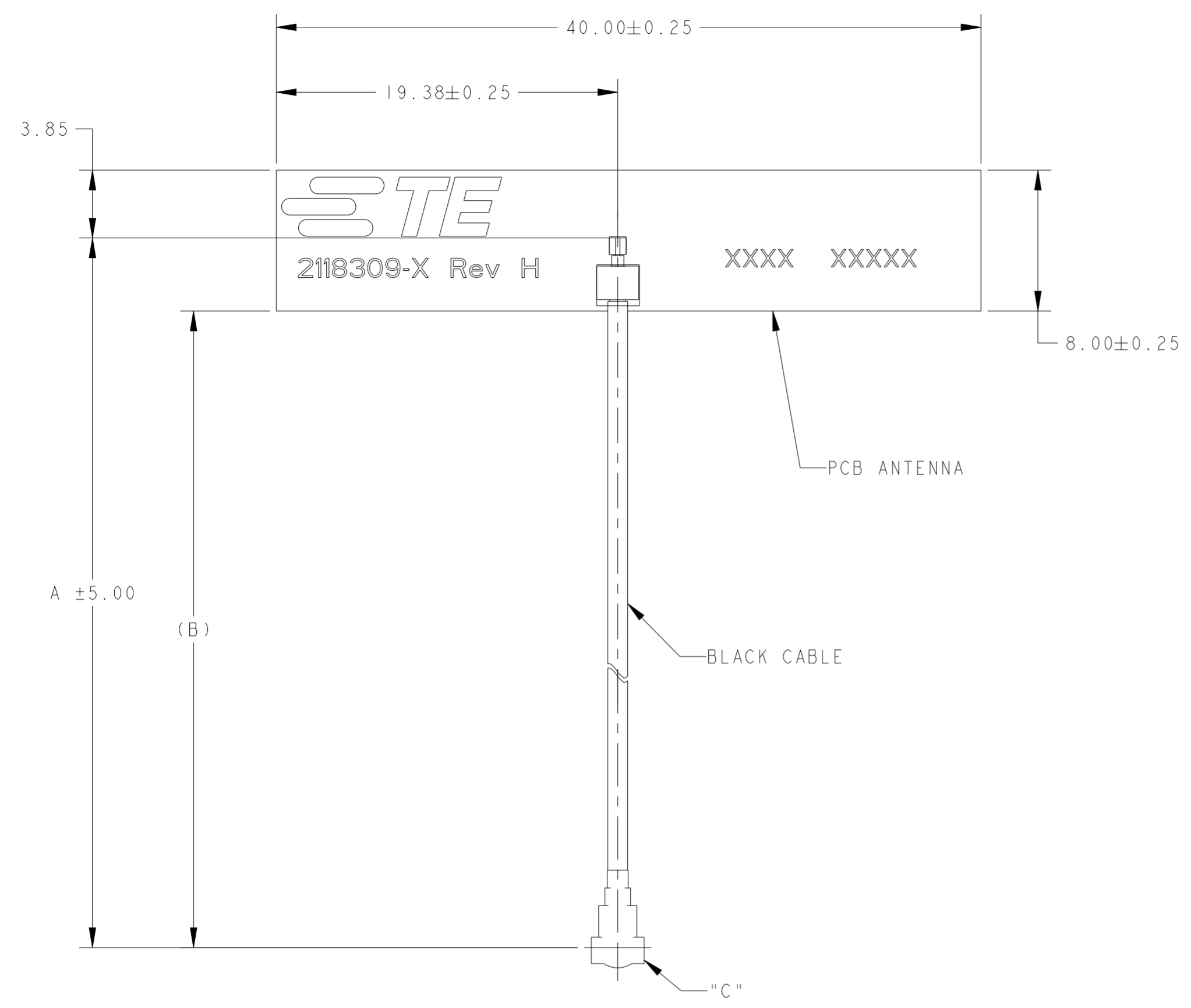


THIS DRAWING IS UNPUBLISHED. RELEASED FOR PUBLICATION 20
 © COPYRIGHT 20 BY TYCO ELECTRONICS CORPORATION ALL RIGHTS RESERVED.

LOC	DIST	REVISIONS			
P	LTR	DESCRIPTION	DATE	DWN	APVD
00	AJ				
	E	REVISED PER ECO-16-005878	13APR2016	JPS	JLM
	F	REVISED PER ECO-17-000307	11JAN2017	AP	JLM
	G2	REVISED PER ECO-19-003701	11MAR2019	SJ	JH
	H	REVISED PER ECN-21-107859	01JUL2021	SJ	CY



DETAIL Z
 SOLDERING DETAIL
 SCALE 8:1

- ASSEMBLY IS RoHS COMPLIANT.
- MINIMUM IDENTIFICATION INCLUDES:
 TOP LAYER: TE LOGO, TE ASSEMBLY PART NUMBER, ASSEMBLY REVISION LETTER, AND FOUR DIGIT DATE CODE (FIRST 2 DIGITS FOR THE WEEK CODE AND THE 2ND TWO DIGITS FOR THE YEAR CODE).
- MATERIALS: FR-4 PCB MATERIAL
 TOTAL THICKNESS: 1.05, SINGLE SIDE, 1/2 OUNCE COPPER.
- OVERPLATING: PLATING ON EXPOSED COPPER AREAS TO BE E.N.I.G. FINISH.
- REMOVE LINER FROM DOUBLE SIDED FOAM TAPE 3M VHB RP62 TO APPLY ANTENNA IN APPLICATION.
- PRODUCT PACKAGED IN A BAG.
- CONSULT TE CONNECTIVITY DATA SHEET DS2118309.

MHF	(60.00)	64.15	2118309-8
MHF 4	(370.85)	375.00	2118309-6
	(220.85)	225.00	2118309-5
	(115.85)	120.00	2118309-4
MHF	(45.85)	50.00	2118309-3
	(268.85)	273.00	2118309-2
	(115.85)	120.00	2118309-1
"C" CONNECTOR TYPE	(B)	A	PART NUMBER

THIS DRAWING IS A CONTROLLED DOCUMENT.

DWN	K. FOLTZ	11MAR2013	TE Connectivity
CHK	G. GRIFFITH	11MAR2013	
APVD	G. GRIFFITH	11MAR2013	
PRODUCT SPEC			
APPLICATION SPEC			NAME
			WLAN DUAL BAND ANTENNA, 1.13 CABLE PCB GP INDEPENDENT
MATERIAL			SIZE
			A2
			CAGE CODE
			00779
			DRAWING NO
			C-2118309
			RESTRICTED TO
			-
			SCALE
			4:1
			SHEET
			1 OF 1
			REV
			H

Mouser Electronics

Authorized Distributor

Click to View Pricing, Inventory, Delivery & Lifecycle Information:

[TE Connectivity:](#)

[2118309-5](#)