

DASH NO.	M CODE	MADE FROM
----------	--------	-----------

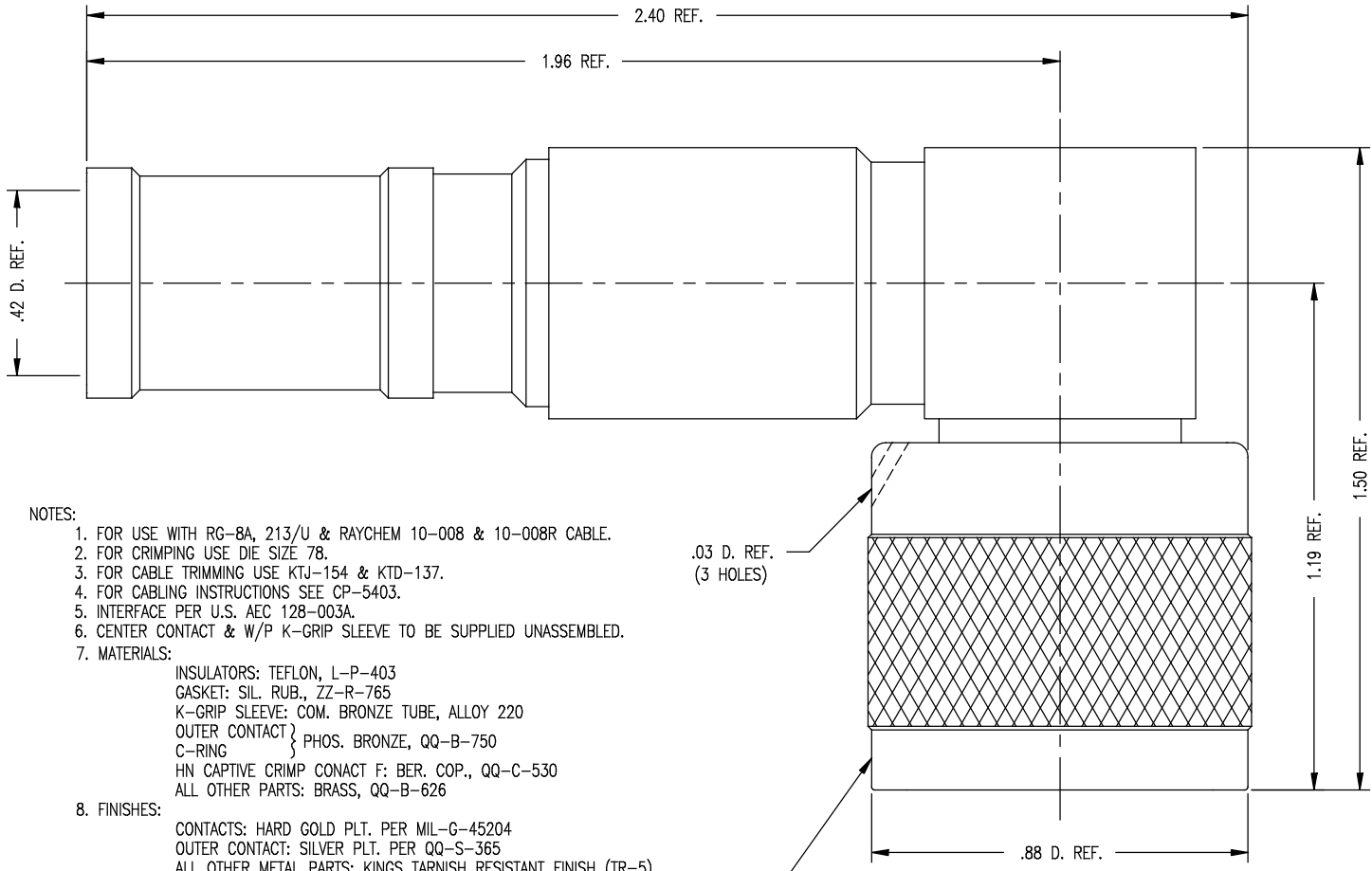
GSD

KH-59-64

REVISIONS	
ISSUE	CHANGES

2	CN 31649 E WJM 2 APR 90
---	----------------------------

3	CN 39307 B JLA 07/27/05
---	----------------------------



- NOTES:
- FOR USE WITH RG-8A, 213/U & RAYCHEM 10-008 & 10-008R CABLE.
  - FOR CRIMPING USE DIE SIZE 78.
  - FOR CABLE TRIMMING USE KTJ-154 & KTD-137.
  - FOR CABLING INSTRUCTIONS SEE CP-5403.
  - INTERFACE PER U.S. AEC 128-003A.
  - CENTER CONTACT & W/P K-GRIP SLEEVE TO BE SUPPLIED UNASSEMBLED.
  - MATERIALS:  
 INSULATORS: TEFLON, L-P-403  
 GASKET: SIL. RUB., ZZ-R-765  
 K-GRIP SLEEVE: COM. BRONZE TUBE, ALLOY 220  
 OUTER CONTACT } PHOS. BRONZE, QQ-B-750  
 C-RING }  
 HN CAPTIVE CRIMP CONTACT F: BER. COP., QQ-C-530  
 ALL OTHER PARTS: BRASS, QQ-B-626
  - FINISHES:  
 CONTACTS: HARD GOLD PLT. PER MIL-G-45204  
 OUTER CONTACT: SILVER PLT. PER QQ-S-365  
 ALL OTHER METAL PARTS: KINGS TARNISH RESISTANT FINISH (TR-5)
  - ELECTRICAL CHARACTERISTICS:  
 NOMINAL IMPEDANCE: 50 OHMS  
 VOLTAGE RATING: 1500 VRMS  
 FREQUENCY RANGE: DC TO 4 GHz

.03 D. REF.  
(3 HOLES)

STAMP: KINGS KH-59-64

SCALE	4:1
-------	-----

APPROX SURFACE AREA	
---------------------	--

USED ON	
---------	--

REF:	BOEING
------	--------

HN ANGLE PLUG

DRAWN	JCA	DATE	05/11/90
-------	-----	------	----------

DESIGN	MJB	DATE	05-14-90
--------	-----	------	----------

APPR.		DATE	
-------	--	------	--

**KINGS**  
ELECTRONICS CO., INC.  
TUCKAHOE, NEW YORK 10707

KH-59-64

GSD