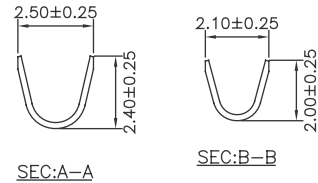
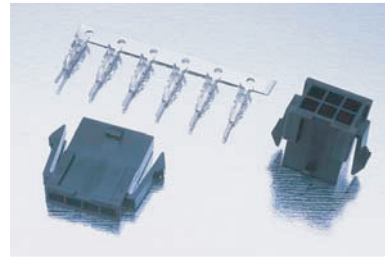
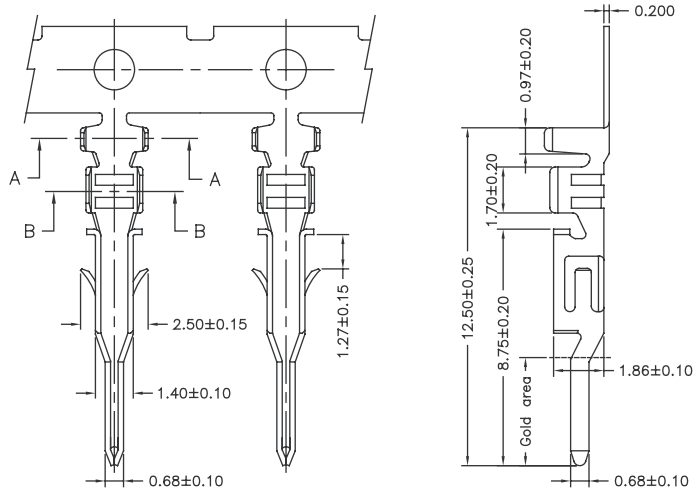




3.0mm MALE TERMINAL / FEMALE HOUSING



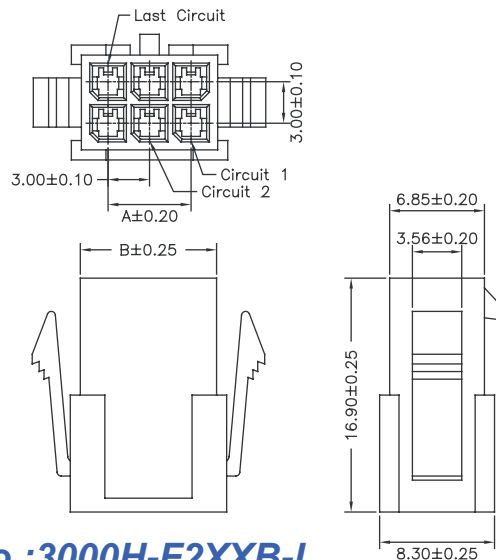
Wire Range	Insulation O.D.	Material	Finish	Qty/reel
AWG#20-#24	1.85mm(max)	Phosphor Bronze	Tin-plated	15,000pcs

Part No.:3000-MT-L

SPECIFICATIONS

Current Rating: 5A AC,DC
Voltage Rating: 250V AC,DC
Temperature Range: -25°C ~ +85°C
Contact Resistance: 10mΩ Max
Insulation Resistance: 1000MΩ Min
Withstanding Voltage: 1500V AC/minute
Material: Nylon 66,UL94V-2
Color: Black

PART NO.	Dimensions	
	A	B
3000H-F201B-L	---	3.85
3000H-F202B-L	3.00	6.85
3000H-F203B-L	6.00	9.85
3000H-F204B-L	9.00	12.85
3000H-F205B-L	12.00	15.85
3000H-F206B-L	15.00	18.85
3000H-F207B-L	18.00	21.85
3000H-F208B-L	21.00	24.85
3000H-F209B-L	24.00	27.85
3000H-F210B-L	27.00	30.85
3000H-F211B-L	30.00	33.85
3000H-F212B-L	33.00	36.85

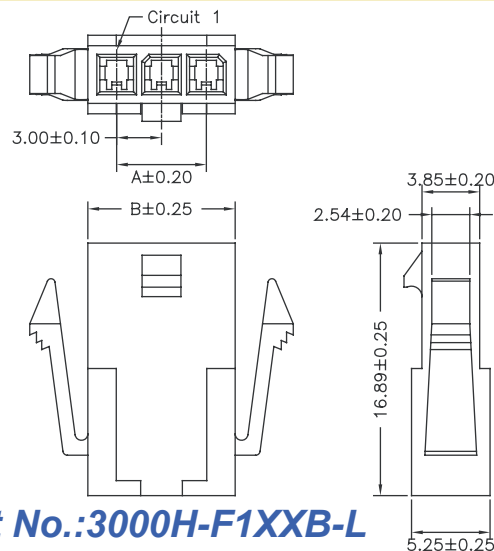


Part No.:3000H-F2XXB-L

SPECIFICATIONS

Current Rating: 5A AC,DC
Voltage Rating: 250V AC,DC
Temperature Range: -25°C ~ +85°C
Contact Resistance: 10mΩ Max
Insulation Resistance: 1000MΩ Min
Withstanding Voltage: 1500V AC/minute
Material: Nylon 66,UL94V-2
Color: Black

PART NO.	Dimensions	
	A	B
3000H-F102B-L	3.00	6.85
3000H-F103B-L	6.00	9.85
3000H-F104B-L	9.00	12.85
3000H-F105B-L	12.00	15.85
3000H-F106B-L	15.00	18.85
3000H-F107B-L	18.00	21.85
3000H-F108B-L	21.00	24.85
3000H-F109B-L	24.00	27.85
3000H-F110B-L	27.00	30.85
3000H-F111B-L	30.00	33.85
3000H-F112B-L	33.00	36.85



Part No.:3000H-F1XXB-L