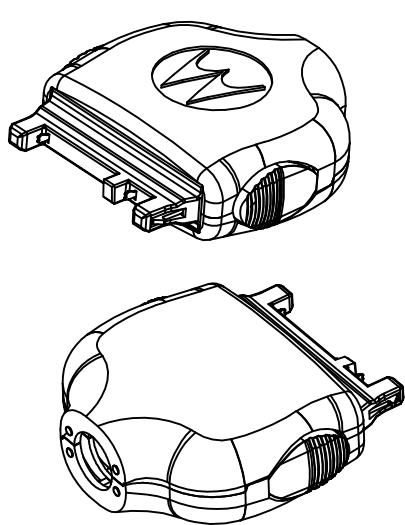


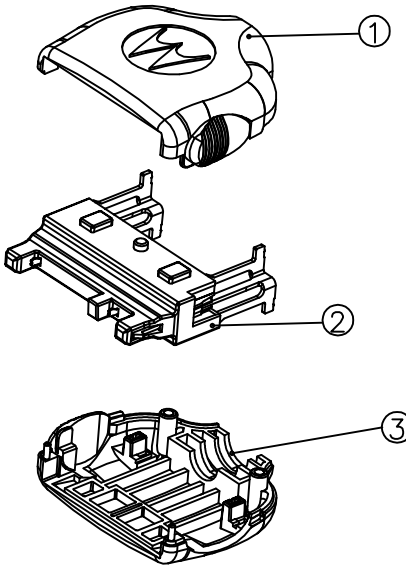
Tous droits strictement reserves. Reproduction ou communication a des tiers interdite sous quelque forme que ce soit sans autorisation ecrite du proprietaire. Propriete de c FCI. Droits de reproduction FCI.

All rights strictly reserved. Reproduction or issue to third parties in any form whatever is not permitted without written authority from the proprietor. Property of FCI. Copyright FCI.

	DESCRIPTION	PART NUMBER	10029448-001	10029448-001LF	10029448-002LF	REMARK
1	TOP COVER	10017335-001	Q'TY 1	Q'TY 1	Q'TY N/A	WITH "M" LOGO
		10017335-002	N/A	N/A	1	WITHOUT "M" LOGO
2	17P DATA PLUG ASS'Y	10021095-001	1	N/A	N/A	
		10021095-001LF	N/A	1	1	
3	BOTTOM COVER	10017334-001	1	1	1	



10029448-001/001LF



10029448-002LF

Notes:

- The housing of 10021095-xxx will withstand exposure to 260°C peak temperature for 10 seconds in a convection, infra red vapor phase reflow oven
- 10029448-001LF meets European union directives and other country regulations as described in GS-22-008
- Lead free label on the carton of 10021095-001LF per GS-14-920
- Plating specification for terminal:
 1.2 um minimum nickel all over followed by:
 Contact side: 0.8 um minimum Au
 Solder tail side: 2.5~10 um Tin-Lead for 10021095-001; 2.5 ~ 10 um pure Sn for 10021095-001LF

mat'l. code				tolerances unless otherwise specified		CUSTOMER COPY	 www.fciconnect.com	
ltr	ecn no	dr	date	linear	.X ± 0.15		projection	title
A	T03-0283	M W	07/09/03		.XX ± 0.10			2P CHARGER PLUG ASS'Y
B	T03-0307	M W	07/29/03		.XXX ±			product family MOBILE I/O
C	T03-0322	M W	08/06/03	angles	.0' ± 2'			size dwg no
D	T04-0217	M W	05/19/04	dr	MAGGIE WU 05/22/03			code
E	pg04-0077	P M	10/12/04	engr	LEIF SHEN 05/22/03			sheet
F	pg04-0096	P M	12/16/04	chr	PAUL WANG 05/22/03			1 of 2
G	pg05-0292	P M	08/22/05	appd	JENN TSAO 05/22/03	scale		A4 10029448
sheet	revision	G	E			2:1		
index	sheet	1	2					

All rights strictly reserved. Reproduction or issue to third parties in any form whatever is not permitted without written authority from the proprietor. Property of FCI. Copyright FCI.

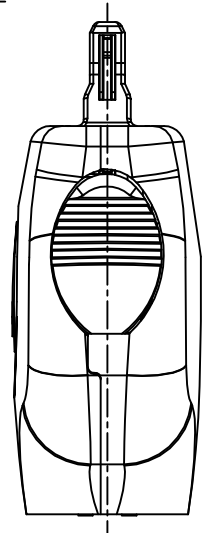
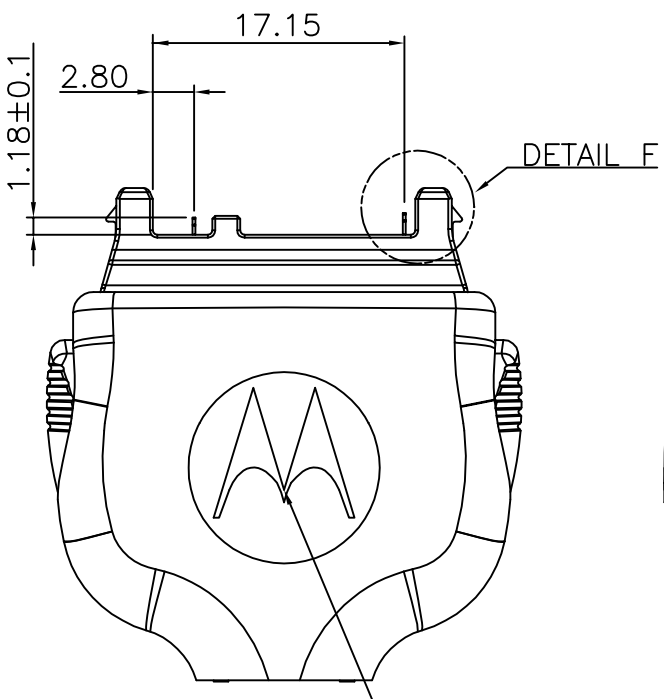
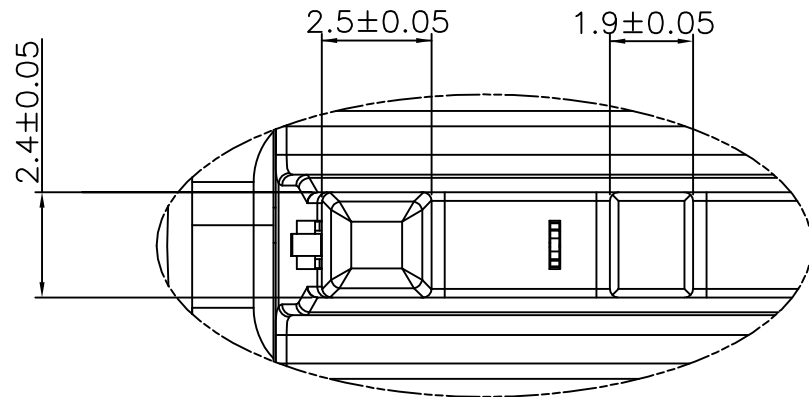
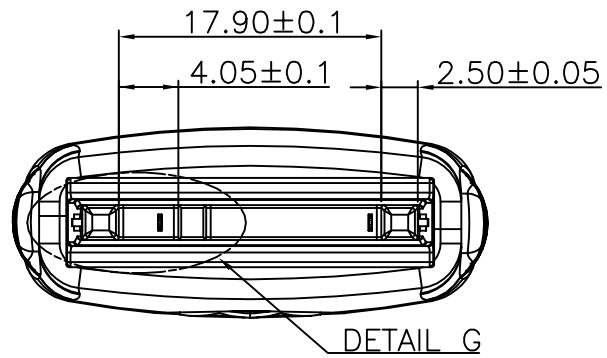


Tous droits strictement reserves. Reproduction ou communication a des tiers interdite sous quelque forme que ce soit sans autorisation ecrite du proprietaire. Propriete de c FCI. Droits de reproduction FCI.

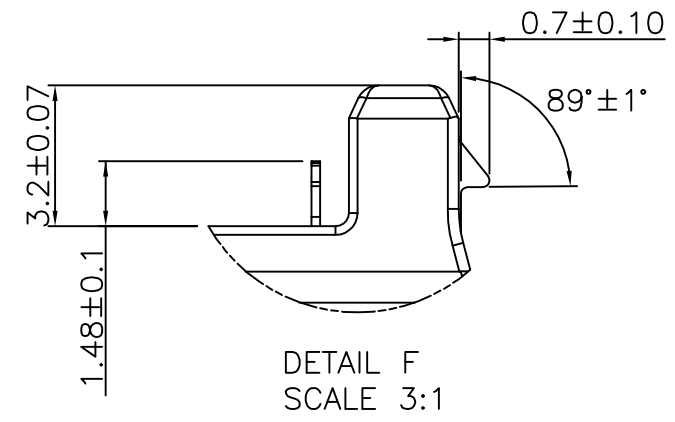
1 | 2

3 |

4



DETAIL F
SCALE 3:1



DETAIL F
SCALE 3:1

ONLY 10029448-001/001LF HAS "M" LOGO

mat'l. code				tolerances unless otherwise specified		CUSTOMER COPY		 www.fciconnect.com	
ltr	ecn no	dr	date	linear	.X ± 0.15	projection	title		
E					.XX ± 0.10		2P CHARGER PLUG ASS'Y		
					.XXX ±				
				angles	.0° ± 2°	 MM	product family		code
				dr	MAGGIE WU 05/22/03		MOBILE I/O		—
				engr	LEIF SHEN 05/22/03		size		—
				chr	PAUL WANG 05/22/03		dwg no		—
				appd	JENN TSAO 05/22/03	scale	A4		sheet
						2:1	10029448		2 of
sheet index	revision sheet								

PDM: Rev:G³

STATUS: Released
cage code 2520
Printed: May 18, 2006

1 | 2

ACAD

B