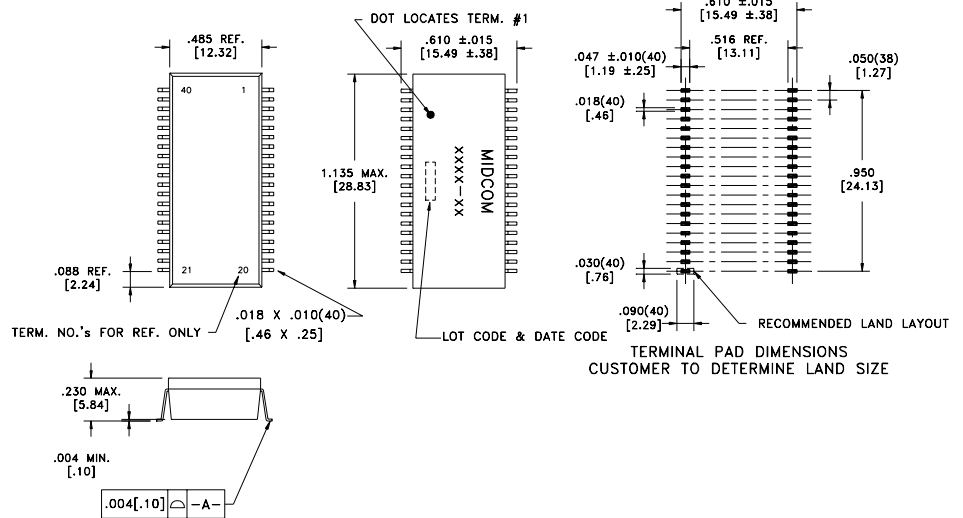
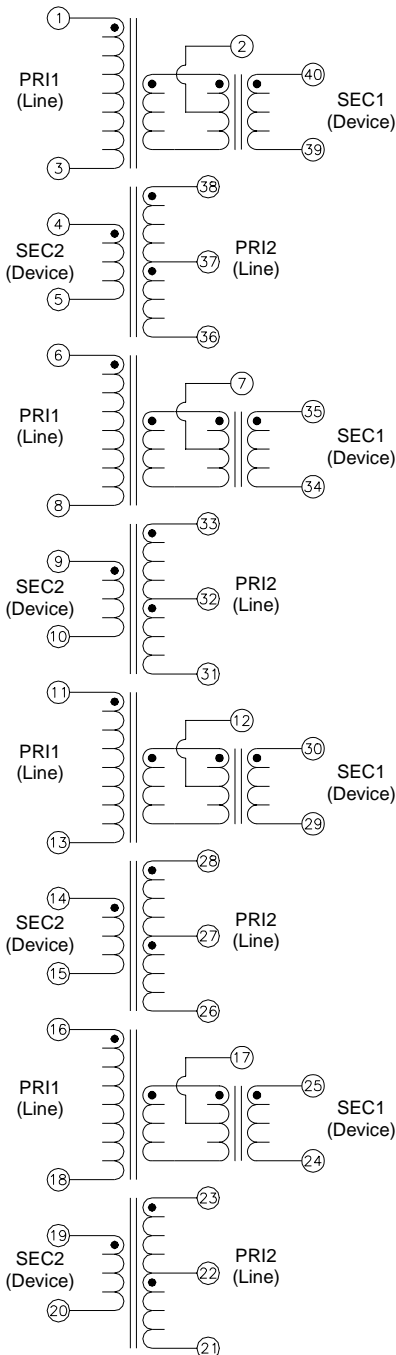


T1/E1 ISDN-PRI Quad Port SMD PMC Sierra – Comet Octal & Tetra

Features

- Compatible with PMC Sierra's PM4358 Comet Octal and PM4359 Comet Tetra
- RoHS compliant versions available
- Industry standard PDFP-G40 package
- Transfer molded for high reliability
- Transmit and receive in the same package
- Optional pin-outs
- Meets ITU G.703 ISDN-Primary rate recommendations
- Operating temperature range of -40°C to +85°C



Part Number	Transmit (PRI1:SEC1)	Receive (PRI2:SEC2)	LPRI @20°C (mH Min)	Leakage L (µH Max)	DCR PRI (ohms Max)	DCR SEC (ohms Max)
52264R	2:1CT	2:1CT	1.2	0.5	0.7	0.4

Details subject to change. Contact your Midcom sales representative for additional information. Dimensions: in/mm. All tolerances are ±.010/0.25 and electrical specifications are @25°C unless otherwise specified.