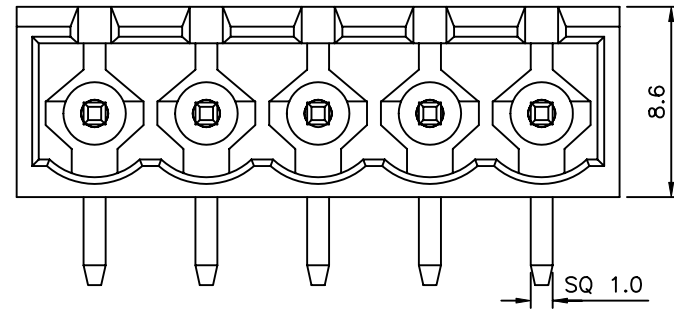
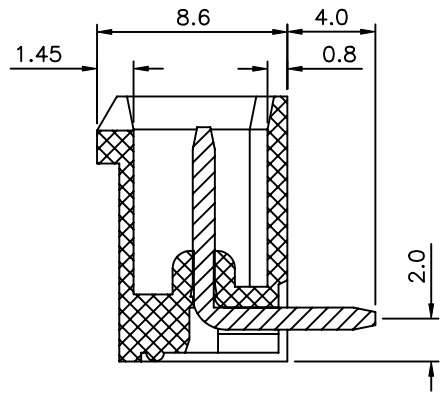
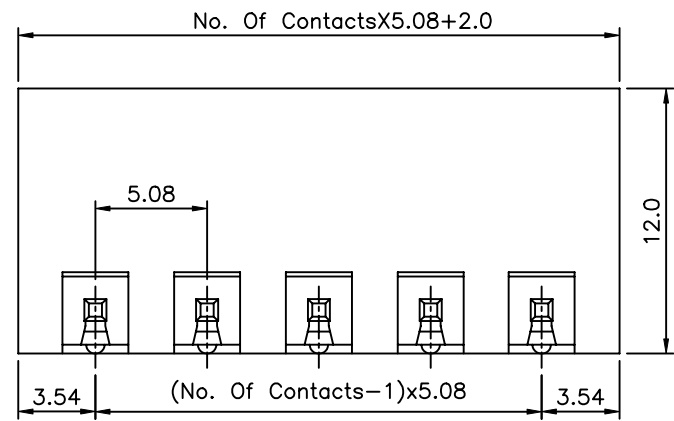


PCB Layout

**SPECIFICATION**

Voltage Rating:250VAC  
 Current Rating:10A  
 Insulation Resistance:500 Megaohms At DC 500V  
 Withstanding Voltage:AC 1500V(1Min)  
 Solder Pin:Brass With Tin Plated  
 Insulator Body(Housing):Polyamide  
 (Glass Filled)(UL94V-0)  
 Using Temperature Range:-40°C ~ +105°C  
 Soldering Temperature:+250°C,5Seconds Max.  
 RoHS Compliant



AUK P/N	Insulator Color
TB51XXPRB-H	Green
TB51XXPRB-BK-H	Black
TB51XXPRB-BL-H	Blue

**AUK** A MEMBER OF AUK GROUP  
**太聯事業股份有限公司**  
**AUK CONTRACTORS CO., LTD.**

CATEGORY		APPROVED BY		UNLESS OTHERWISE SPECIFIED TOLERANCES ARE X. ±0.50 .X ±0.30 .XX ±0.20 .XXX ±0.10 ANG ±5°
PART No. TB51XXPRB-XX-H		MEI		
DRAWING No. TB51XXPRB-XX-H		CHECKED BY HZF		
		DRAWING BY XYH		
SCALE	NONE	REV.	A0	UNIT mm

NO.	REV.	DESCRIPTION	CHK	DATE
△ A0		NEW RELEASE	HZF	07/09/2008
		REVISIONS		