

Features

- IEEE 802.3 Ethernet compatible
- Designed for various IC manufacturers
- Fully integrated for adapter, hub and motherboard applications

Applications

- LAN (Local Area Network)
- Ethernet

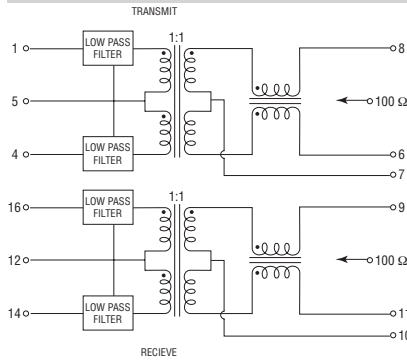
PT61004 LAN 10Base-T Filter Interface

Electrical Specifications @ 25 °C

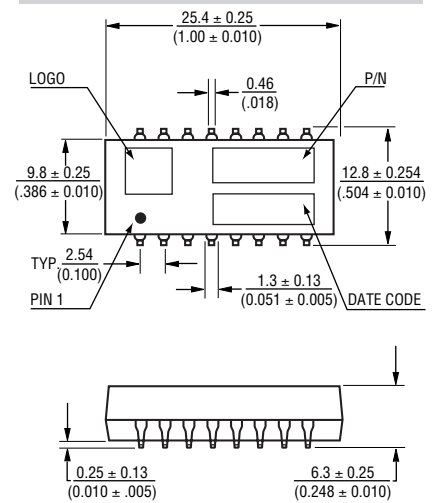
Turns Ratio	
TX ± 5 %	1:1
RX ± 5 %	1:1
Insertion Loss (dB max.)	
1 to 10 MHz	-1.0
Cross Talk (dB min.)	
5 to 10 MHz	-35
Hipot min. (Vrms)	1500
Attenuation (dB min.)	
30 MHz	-30
40 MHz	-35
100 MHz	-35
Return Loss (dB min.)	
5-10 Mhz, 100 Ω	-18
5-10 MHz, 98 ± 13 Ω	-15
Com Mode Rejection XMIT (dB min.)	
5 MHz	-60
10 MHz	-60
50 MHz	-55
100 MHz	-50
200 MHz	-45
Operating Temperature	0 °C to +70 °C

Other OCL specifications available on request.

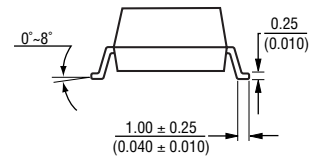
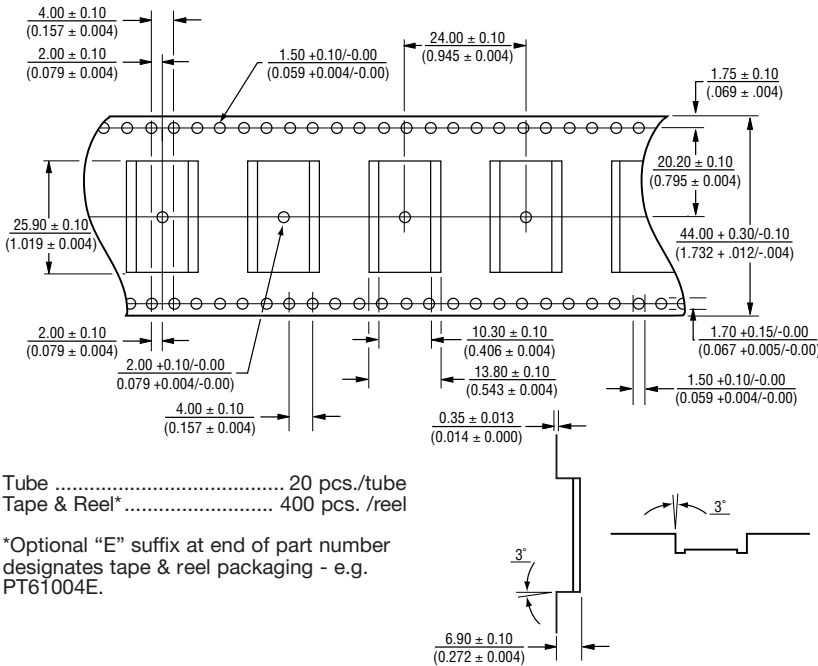
Electrical Schematic



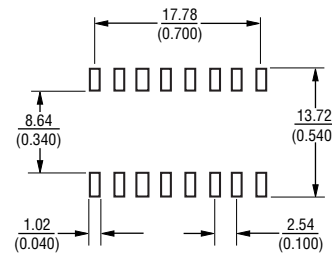
Product Dimensions



Packaging Specifications



Recommended Layout



DIMENSIONS: MILLIMETERS
(INCHES)

Specifications are subject to change without notice.
Customers should verify actual device performance in their specific applications.