

10/100BASE-T LAN MAGNETICS

Low Profile PCMCIA Transformer Modules

LM00411

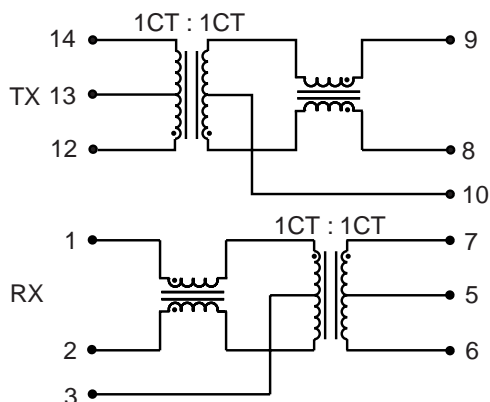
- Low profile, surface mount packaging rated to 225° C peak IR reflow temperature
- Four low profile package heights ranging from .098" (2.48mm) to .078" (1.98mm)
- Meets all IEEE 802.3 standards including 350 μ H OCL with 8mA bias
- Operating temperature 0° to 70° C
- Minimum interwinding breakdown voltage of 1500 Vrms

ELECTRICAL SPECIFICATIONS AT 25° C

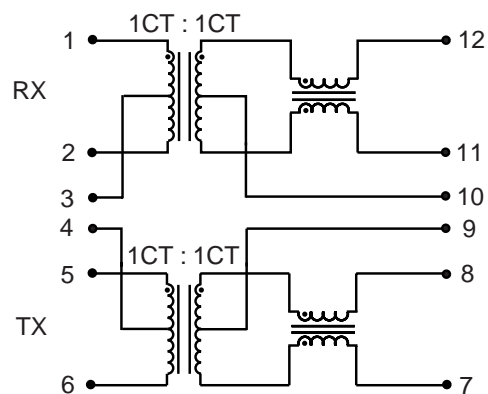
Part Number	Turns Ratio		Insertion Loss dB max	Return Loss dB min			Crosstalk dB min	Common to Differential Mode Rejection dB min			
	TX	RX		1MHz to 100MHz	30MHz	60MHz		80MHz	1MHz to 100MHz	30MHz	50MHz
S558-5999-32	1CT : 1CT	1CT : 1CT	-2.0	-17	-13	-12	-35	-40	-40	-30	-20
S558-5999-59	1CT : 1CT	1CT : 1CT	-1.0	-17	-13	-12	-35	-40	-40	-30	-20
S558-5999-69	1CT : 1CT	1CT : 1CT	-1.2	-17	-13	-12	-35	-40	-40	-30	-20
S558-5999-A2	1.41CT : 1CT	1CT : 1CT	-2.0	-17	-13	-12	-35	-40	-40	-30	-20
S558-5999-L1	1CT : 1CT	1CT : 1CT	-2.0	-17	-13	-12	-35	-40	-40	-30	-20
S558-5999-L5	1CT : 1CT	1CT : 1CT	-0.9	-18	-13	-12	-40	-40	-40	-30	-20

SCHEMATICS

S558-5999-32



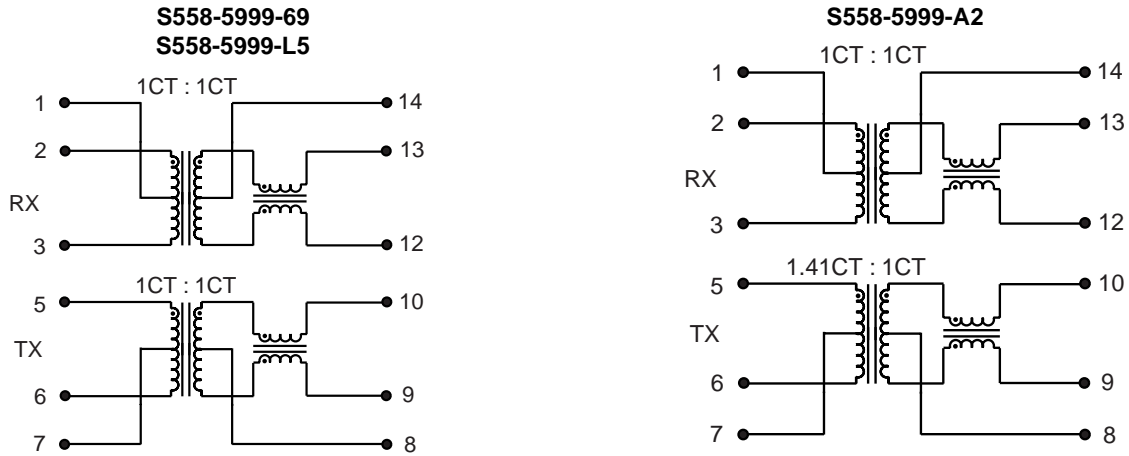
S558-5999-59



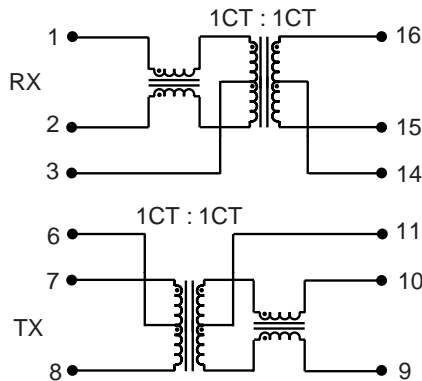
©2000 Bel Fuse Inc. Specifications subject to change without notice. 01.00

LM00411

SCHEMATICS

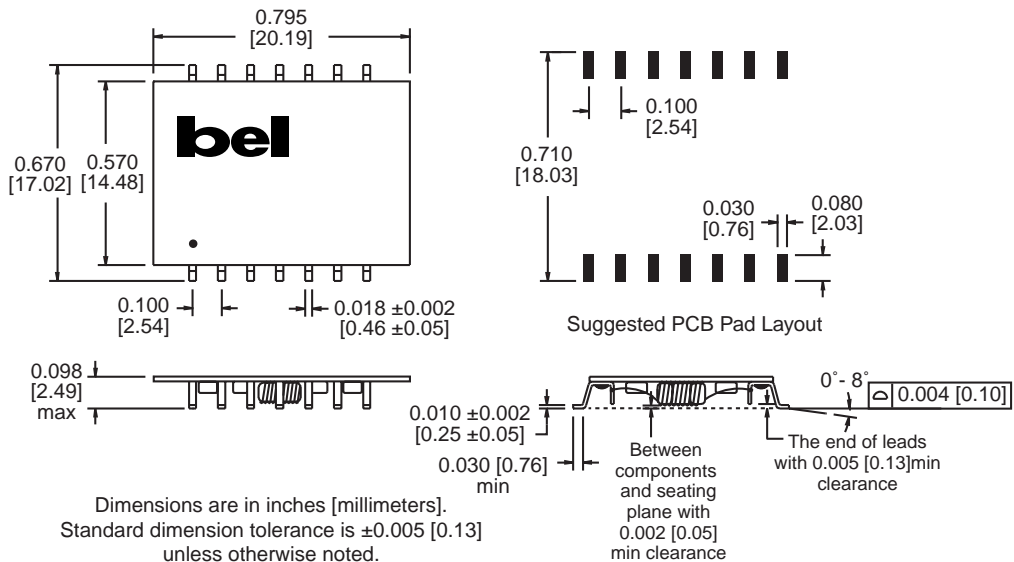


S558-5999-L1



MECHANICALS

S558-5999-32
S558-5999-69



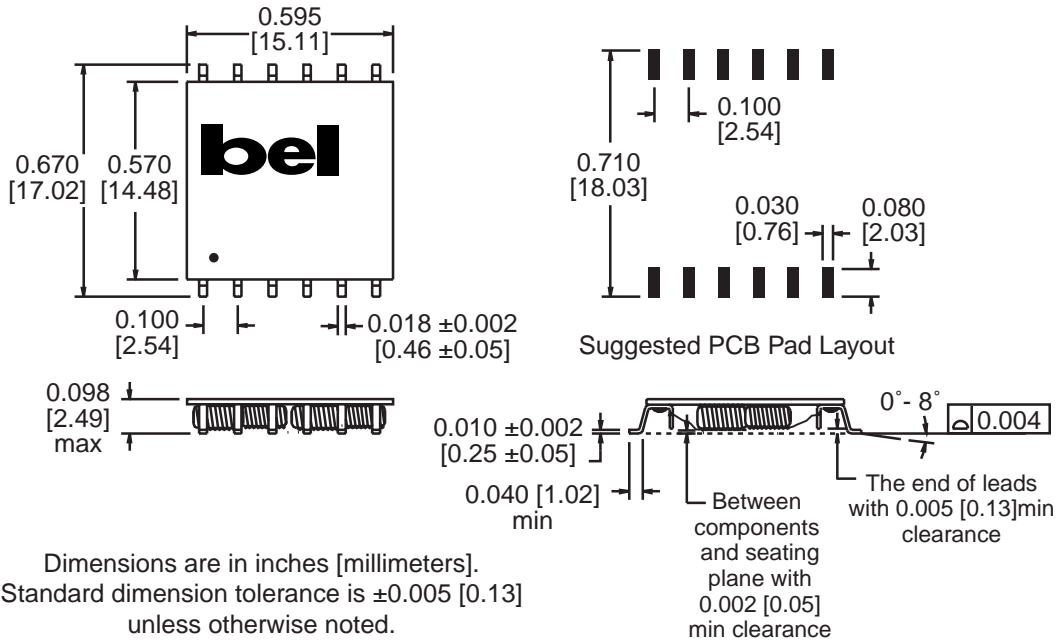
10/100BASE-T LAN MAGNETICS

Low Profile PCMCIA Transformer Modules

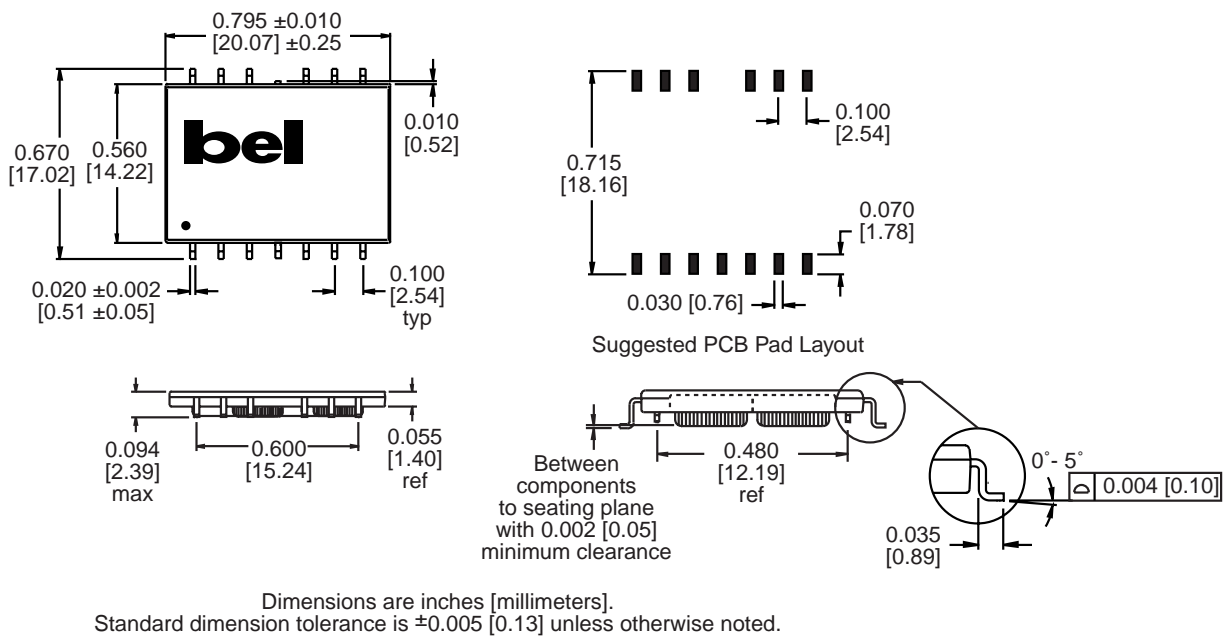
LM00411

MECHANICALS

S558-5999-59



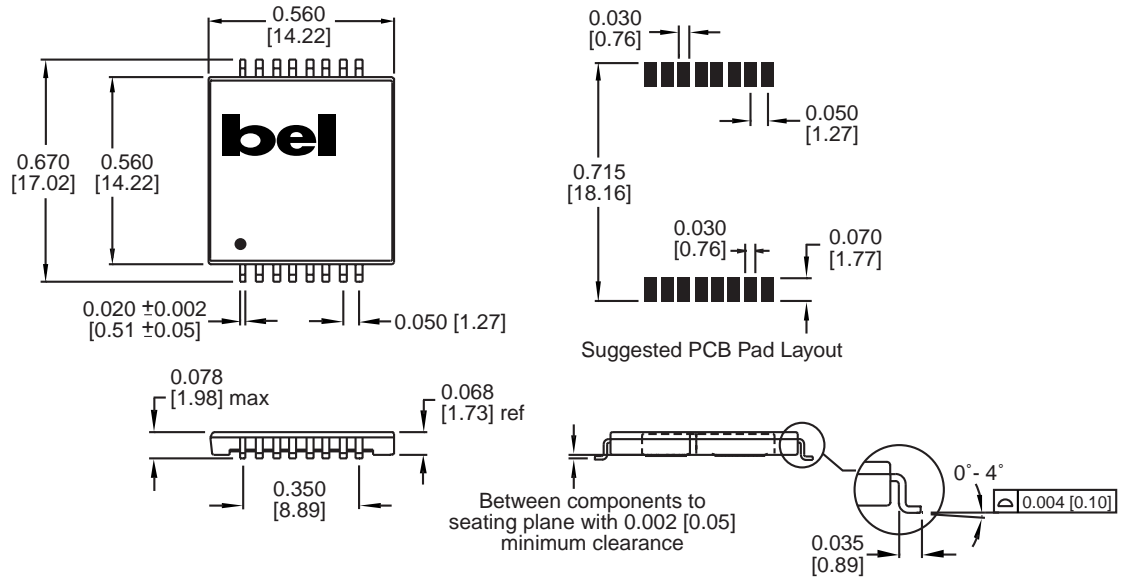
S558-5999-A2



LM00411

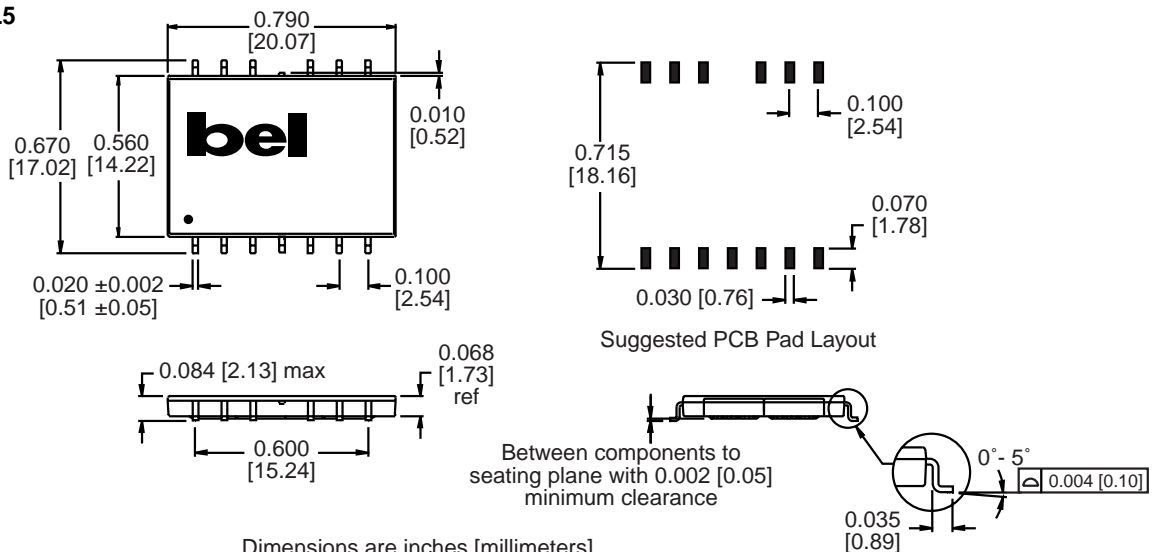
MECHANICALS

S558-5999-L1



Dimensions are inches [millimeters].
Standard dimension tolerance is ± 0.005 [0.13] unless otherwise noted.

S558-5999-L5



Dimensions are inches [millimeters].
Standard dimension tolerance is ± 0.005 [0.13] unless otherwise noted.

©2000 Bel Fuse Inc. Specifications subject to change without notice. 01.00

CORPORATE

Bel Fuse Inc.
198 Van Vorst Street
Jersey City, NJ 07302
Tel 201-432-0463
Fax 201-432-9542
www.belfuse.com

FAR EAST

Bel Fuse Ltd.
8F / 8 Luk Hop Street
San Po Kong
Kowloon, Hong Kong
Tel 852-2328-5515
Fax 852-2352-3706
www.belfuse.com

EUROPE

Bel Fuse Europe Ltd.
Preston Technology Management Centre
Marsh Lane, Suite F23, Preston
Lancashire, PR1 8UD, U.K.
Tel 44-1772-556601
Fax 44-1772-888366
www.belfuse.com