
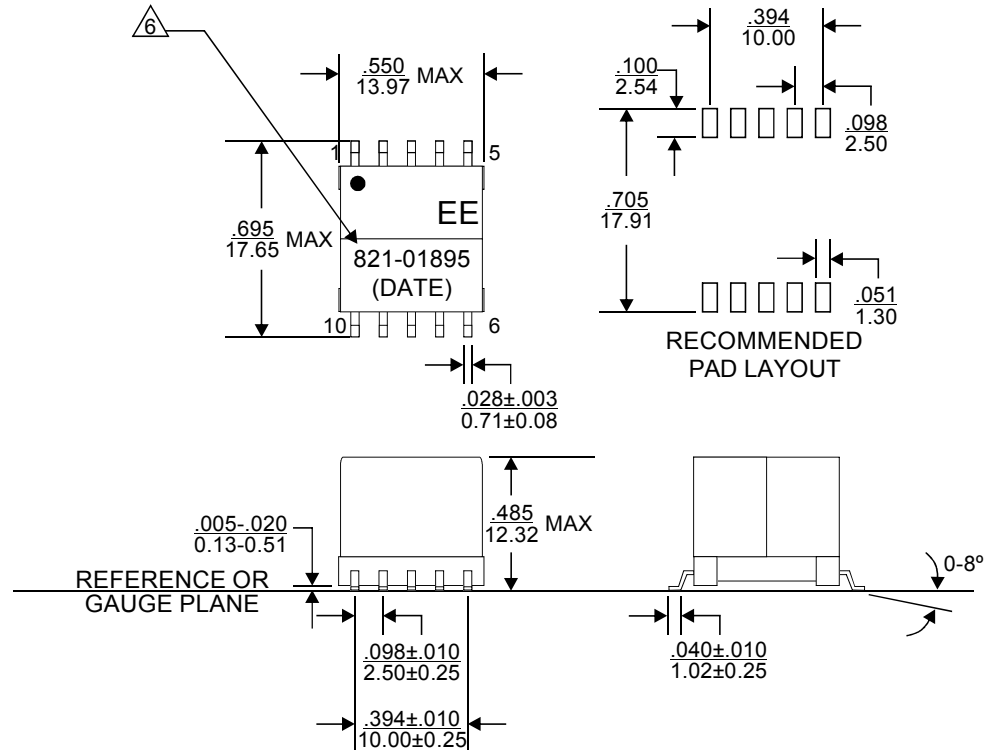


REVISIONS			
REV.	DESCRIPTION	ECN NO.	DATE
01	FIRST RELEASE	N/A	11/12/07

PAGE 4 IS FOR INTERNAL ONLY

PART NUMBER		PART DESCRIPTION		TITLE										
821-01895		Standard version, with Lead(Pb)		TRANSFORMER, SHDSL, SMT, 10 PIN										
821-01895F		RoHS compliant per EU Directive 2002/95/EC(without exemption of solder content)												
<p><b><u>WARNING !</u></b></p> <p>ALL SHEETS OF THIS DOCUMENT ARE CONTROLLED DOCUMENTATION AND ARE NOT TO BE RELEASED OUTSIDE OF E&amp;E OR ITS SUB-CONTRACTORS WITHOUT AUTHORIZATION.</p>	<p>UNLESS OTHERWISE SPECIFIED, DIMENSIONS ARE IN INCH/mm.</p> <p><u>TOLERANCE ARE:</u></p> <table border="0"> <tr> <td>INCH</td> <td>mm</td> <td>ANGLE</td> </tr> <tr> <td>.XXX ± .005</td> <td>.XX ± .13</td> <td>X.X ± 0.3</td> </tr> <tr> <td>.XX ± .02</td> <td>.X ± .5</td> <td>X. ± 1</td> </tr> </table>	INCH	mm	ANGLE	.XXX ± .005	.XX ± .13	X.X ± 0.3	.XX ± .02	.X ± .5	X. ± 1	APPROVALS	DATE	 E & E Magnetic Products Ltd.	
		INCH	mm	ANGLE										
		.XXX ± .005	.XX ± .13	X.X ± 0.3										
		.XX ± .02	.X ± .5	X. ± 1										
		DRAWN BY												
PROJ. ENG	W.P. CHENG	11/12/07		DRAWING NO./MODEL	REV									
APPROVED BY	W.P. CHENG	11/12/07												
Q.A.	V. TSUI	11/12/07		821-01895	01									
	C.M. TSUI	11/12/07		SCALE	PAGE OF									
				DO NOT SCALE	1 OF 4									



1. Dimensions are specified in  $\frac{\text{inches}}{\text{mm}}$  with higher precedence in inches.
2. Unless otherwise specified, all tolerances are  $\pm \frac{.010}{0.25}$ .
3. Coplanarity:  $\frac{.005}{0.13}$  max.
4. "(DATE)" includes at least the manufacturing date code (in YYWW format) plus two character country code.
5. Dimensions are to be measured in accordance with JEDEC standard 95-1.

For RoHS compliant version, 821-01895F, the part will be marked with "821-01895F", instead of "821-01895".

## MECHANICAL OUTLINE



E & E Magnetic Products Ltd.

DRAWING NO./MODEL

821-01895

REV

01

SCALE

DO NOT SCALE

PAGE

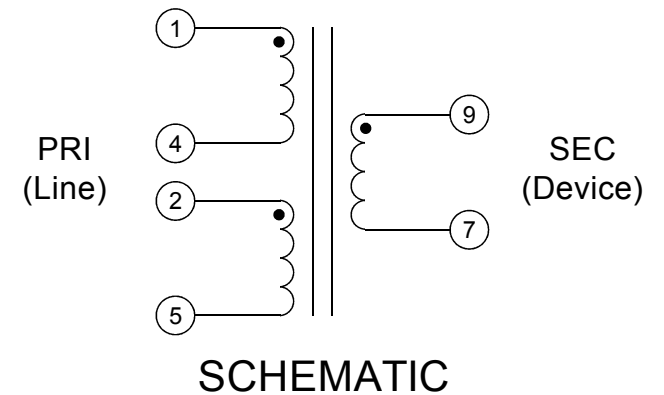
2

OF

4

**ELECTRICAL SPECIFICATION @25°C:**

PARAMETERS	UNIT	LIMITS
Turns Ratio(1-5):(9-7), short 4+2	-	4.5 : 1 ± 1%
Polarity	-	Per Schematic
Ls(1-5)@10kHz, 0.05Vrms, short 4+2	mH	3.0 ± 6%
Harmonic Distortion@3kHz, 1Vrms, short 4+2	dB	-76 Max
Hipot(1-4-2-5):(9-7)	Vrms	1500 Min



7. The transformer is designed to reflect 135 ohms on the primary with 6.7 ohms loaded on the secondary.
8. The transformer is designed to meet UL60950 basic insulation for a primary circuit with working voltage of up to 250Vrms.
9. Operating temperature: -40°C to +85°C.



**E & E Magnetic Products Ltd.**

DRAWING NO./MODEL

**821-01895**

REV

**01**

SCALE

**DO NOT SCALE**

PAGE

**3**

OF

**4**