

Triple-Balanced Mixer

MZ5210/MZ5210C

V3

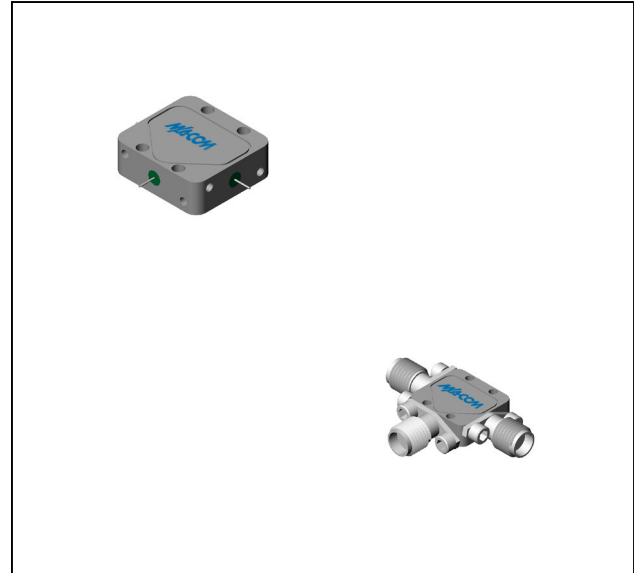
Features

- LO 2.0 TO 24 GHz
- RF 2.0 TO 24 GHz
- IF 0.1 TO 5 GHz
- LO DRIVE: +10 dBm (NOMINAL)
- MINIATURE PACKAGE
- VERY WIDE BANDWIDTH
- AVAILABLE WITH FIELD REPLACEABLE CONNECTORS

Description

The MZ5210 is a triple balanced mixer, designed for use in military, commercial and test equipment applications. The design utilizes Schottky ring quad diodes and broadband soft dielectric baluns to attain excellent performance. The use of high temperature solder and welded assembly processes used internally makes it ideal for use in manual, semi-automated assembly. Environmental screening available to MIL-STD-883, MIL-STD-202 or MIL-DTL-28837, consult factory.

Product Image



Ordering Information

Part Number	Package
MZ5210	Versapac
MZ5210C	SMA Connectorized

Electrical Specifications: $Z_0 = 50\Omega$ $Lo = +10$ dBm (Downconverter application only)

Parameter	Test Conditions	Units	Typical	Guaranteed	
				+25°C	-54° to +85°C
SSB Conversion Loss (max) & SSB Noise Figure (max)	fR = 3 to 18 GHz, fL = 3 to 18 GHz, fl = 0.1 to 2 GHz	dB	8.0	10.5	11.0
	fR = 3 to 18 GHz, fL = 3 to 18 GHz, fl = 0.1 to 5 GHz	dB	8.5	11.0	11.5
	fR = 2 to 24 GHz, fL = 2 to 24 GHz, fl = 0.1 to 5 GHz	dB	10.0	12.0	12.5
Isolation, L to R (min)	fL = 2 to 4 GHz	dB	15	12	10
	fL = 4 to 24 GHz	dB	25	15	13
Isolation, L to I (min)	fL = 2 to 24 GHz	dB	25	17	15
1 dB Conversion Comp.	fL = +10 dBm	dBm	+4		
Input IP3	fR1 = 4 GHz at -10 dBm, fR2 = 1.01 GHz at -10 dBm, fL = 5 GHz at +10 dBm	dBm	+16		
	fR1 = 17.99 GHz at -10 dBm, fR2 = 18 GHz at -10 dBm, fL = 16 GHz at +10 dBm	dBm	+13		

Triple-Balanced Mixer

MZ5210/MZ5210C

V3

Typical Performance Curves

Triple-Balanced Mixer

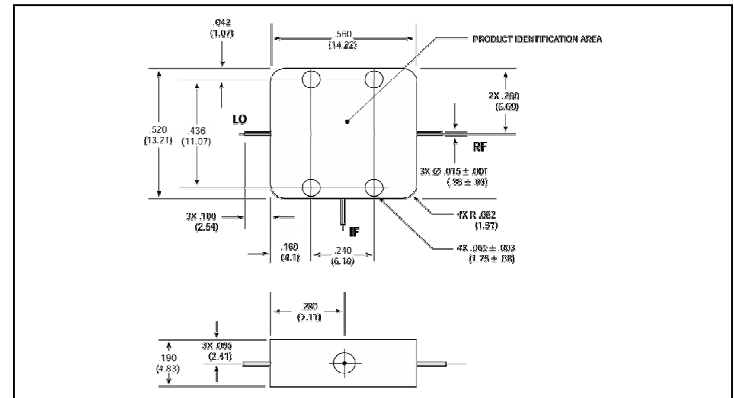
MZ5210/MZ5210C

V3

Absolute Maximum Ratings

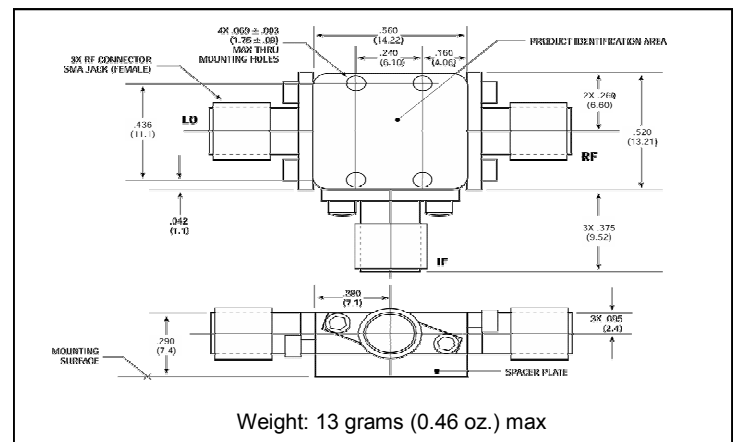
Parameter	Absolute Maximum
Operating Temperature	-54°C to +100°C
Storage Temperature	-65°C to +100°C
Peak Input Power	+26 dBm max @ +25°C +22 dBm max @ +100°C
Peak Input Current	100 mA DC

Outline Drawing: Versapac *



Weight: 4 grams (0.14 oz.) max

Outline Drawing: SMA Connectorized *



Weight: 13 grams (0.46 oz.) max

* Dimensions are inches (millimeters) ±0.015 (0.38) unless otherwise specified.