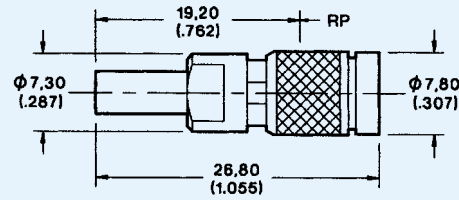


75Ω Cable Plugs

**Straight Crimp Plug
Push-Pull Coupling**

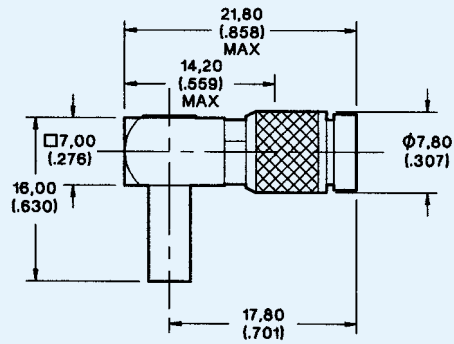
Part Number	Cable Numbers
F55-F24-3079A90	RG179B/U, 187/U
F55-F24-3035A90	BT3002, TZC75024



Assembly Instruction BBAI-1249 (Apply ITT Cannon Sales Dept.)

**Right Angle Crimp Plug
Push-Pull Coupling**

Part Number	Cable Numbers
F55-F28-3035A90	BT3002, TZC75024



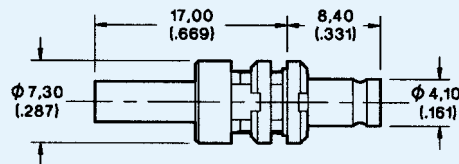
Assembly Instruction BBAI-1251 (Apply ITT Cannon Sales Dept.)

1.0/2.3

75Ω Cable Jacks

**Straight Crimp Jack
Push-Pull and Snap Couplings**

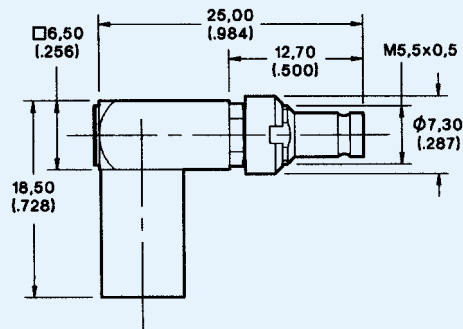
Part Number	Cable Numbers
F51-F27-3079A90	RG179B/U, 187/U
F51-F27-3035A90	BT3002, TZC75024



Mounting Plan K (Page 108). Maximum Panel Thickness 1,50 (.059)
Assembly Instruction BBAI-1250 (Apply ITT Cannon Sales Dept.)

**Right Angle Crimp Jack
Push-Pull and Snap Couplings**

Part Number	Cable Number
F51-F30-3059A90	RG59B/U



Mounting Plan J (Page 108). Maximum Panel Thickness 1,50 (.059)
Assembly Instruction BBAI-1252 (Apply ITT Cannon Sales Dept.)