

DH0011A High Voltage High Current Driver

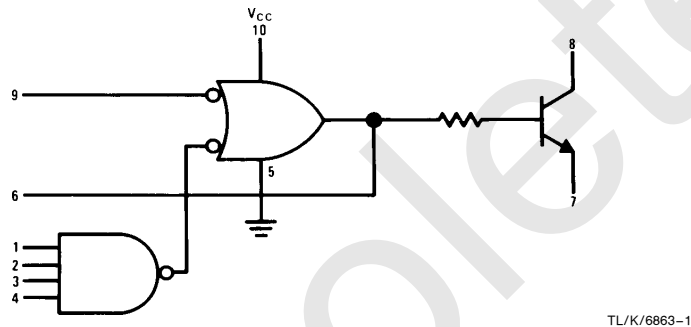
General Description

The DH0011A High Voltage, High Current Driver family consists of hybrid integrated circuits which provide a wide range of variations in temperature range, package, and output current drive capability.

Applications include driving lamps, relays, cores, and

other devices requiring several hundred milliamp currents at voltages up to 50V. Logic flexibility is provided through a 4-input NAND gate, a NOR input and an input which bypasses the gating and connects to the base of the output transistor.

Logic Diagram



Ordering Information

NSC Designation	Package	Temperature Range	Output Capability
DH0011AH	H10C	-55°C to +125°C	500mA

Absolute Maximum Ratings

V_{CC}	8V	Power Dissipation	800 mW
Collector Voltage (Output)	50V	Operating Temperature Range	-55°C to +125°C
Input Reverse Current	1.0 mA	Storage Temperature	-65°C to +150°C

Electrical Characteristics

Test Pin	Pin 1	Pin 2	Pin 3	Pin 4	Pin 5	Pin 6	Pin 7	Pin 8	Pin 9	Pin 10	Sense	Min	Max
1	V_{IH}	V_{IH}	V_{IH}	V_{IH}	GND		GND	I_{OL1}		V_{CC}	V_8		V_{OL1}
2	V_{IL}				GND		GND	I_{OL1}	V_{IL}	V_{CC}	V_8		V_{OL1}
3	V_{IL}				GND	I_{OL2}				V_{CC}	V_6		V_{OL2}
4		V_{IL}			GND	I_{OL2}				V_{CC}	V_6		V_{OL2}
5			V_{IL}		GND	I_{OL2}				V_{CC}	V_6		V_{OL2}
6				V_{IL}	GND	I_{OL2}				V_{CC}	V_6		V_{OL2}
7				GND	GND	I_{OL2}			V_{IH}	V_{CC}	V_6		V_{OL2}
8	V_R	GND	GND	GND	GND					V_{CC}	I_1		I_R
9	GND	V_R	GND	GND	GND					V_{CC}	I_2		I_R
10	GND	GND	V_R	GND	GND					V_{CC}	I_3		I_R
11	GND	GND	GND	V_R	GND					V_{CC}	I_4		I_R
12					GND				V_R	V_{CC}	I_9		I_R
13	V_F	V_R	V_R	V_R	GND					V_{CC}	I_1		$-I_F$
14	V_R	V_F	V_R	V_R	GND					V_{CC}	I_2		$-I_F$
15	V_R	V_R	V_F	V_R	GND					V_{CC}	I_3		$-I_F$
16	V_R	V_R	V_R	V_F	GND					V_{CC}	I_4		$-I_F$
17				GND	GND				V_F	V_{CC}	I_9		$-I_F$
18					GND		GND			V_{CC}	V_6	V_{OH}	
19	GND				GND		GND	V_{OX}		V_{CC}	I_8		I_{OX}
20					GND					V_{PD}	I_{10}		I_{PD}
21	GND				GND					V_{MAX}	I_{10}		I_{MAX}
22*					GND					V_{PD}			t_{ON}
23*					GND					V_{PD}			t_{OFF}

*See Test Circuits and Waveforms

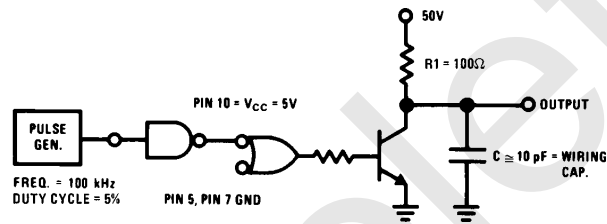
Forcing Functions

Parameter	-55°C	+25°C	+125°C	Units
				V
V_{CC}	5.0	5.0	5.0	V
V_{PD}		5.0		V
V_{MAX}		8.0		V
V_{IL}	0.85	0.85	0.85	V
V_{IH}	1.9	1.8	1.6	V
V_R	4.5	4.5	4.5	V
V_F	0.45	0.45	0.45	V
I_{OL1}	400	400	400	mA
I_{OL2}	20	20	20	mA
V_{OX}	50.0	50.0	50.0	V

Limits

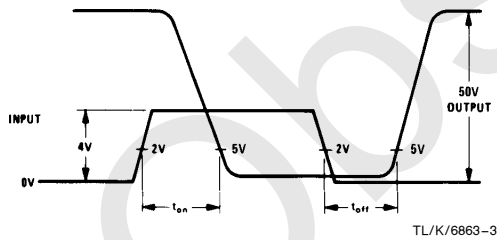
Parameter	-55°C		+25°C		+125°C		Units
	Min	Max	Min	Max	Min	Max	
V _{OL1}		0.6		0.6		0.6	V
V _{OL2}		0.45		0.45		0.45	V
V _{OH}	1.95		1.85		1.65		V
I _R				60		60	μA
-I _F		1.6		1.6		1.6	mA
I _{OX}				5.0		200	μA
I _{PD}				12.2			mA
I _{MAX}				10			mA
t _{ON}				160			ns
t _{OFF}				220			ns

Switching Time Test Circuit



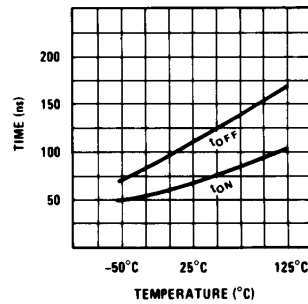
TL/K/6863-2

Switching Time Waveforms



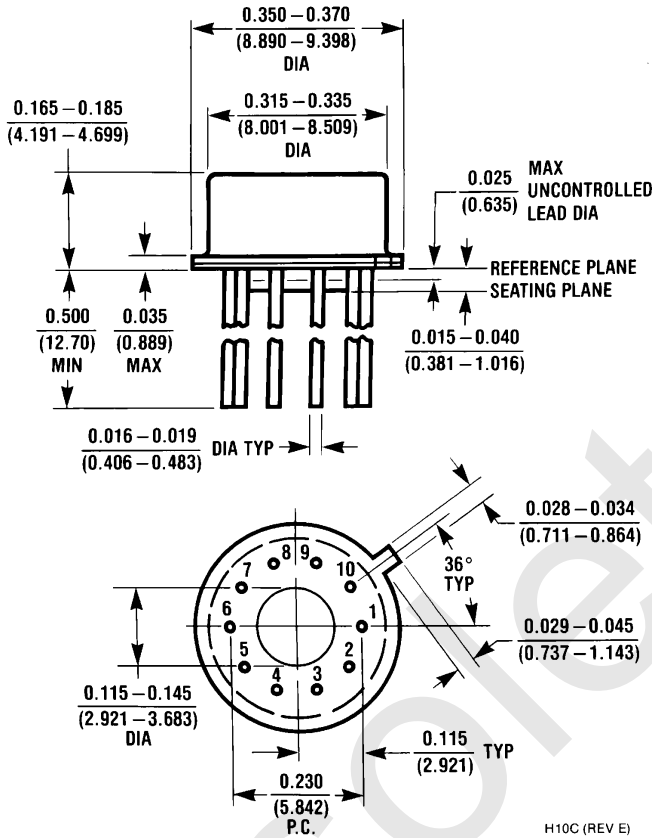
TL/K/6863-3

Typical Switching Times



TL/K/6863-4

Physical Dimensions inches (millimeters)



10-Lead TO-5 Metal Can Package (H)
Order Number DH0011A
NS Package H10C

H10C (REV E)

LIFE SUPPORT POLICY

NATIONAL'S PRODUCTS ARE NOT AUTHORIZED FOR USE AS CRITICAL COMPONENTS IN LIFE SUPPORT DEVICES OR SYSTEMS WITHOUT THE EXPRESS WRITTEN APPROVAL OF THE PRESIDENT OF NATIONAL SEMICONDUCTOR CORPORATION. As used herein:

1. Life support devices or systems are devices or systems which, (a) are intended for surgical implant into the body, or (b) support or sustain life, and whose failure to perform, when properly used in accordance with instructions for use provided in the labeling, can be reasonably expected to result in a significant injury to the user.
2. A critical component is any component of a life support device or system whose failure to perform can be reasonably expected to cause the failure of the life support device or system, or to affect its safety or effectiveness.



National Semiconductor Corporation
 1111 West Bardin Road
 Arlington, TX 76017
 Tel: 1(800) 272-9959
 Fax: 1(800) 737-7018

National Semiconductor Europe
 Fax: (+49) 0-180-530 85 86
 Email: cnjwge@tevm2.nsc.com
 Deutsch Tel: (+49) 0-180-530 85 85
 English Tel: (+49) 0-180-532 78 32
 Français Tel: (+49) 0-180-532 93 58
 Italiano Tel: (+49) 0-180-534 16 80

National Semiconductor Hong Kong Ltd.
 19th Floor, Straight Block,
 Ocean Centre, 5 Canton Rd.
 Tsimshatsui, Kowloon
 Hong Kong
 Tel: (852) 2737-1600
 Fax: (852) 2736-9960

National Semiconductor Japan Ltd.
 Tel: 81-043-299-2309
 Fax: 81-043-299-2408

National does not assume any responsibility for use of any circuitry described, no circuit patent licenses are implied and National reserves the right at any time without notice to change said circuitry and specifications.