

# MODULAR GP700

## VARIABLE ATTENUATOR PLUG-IN

DiCon's Variable Attenuator Plug-In sets attenuation levels in the 0-to-60-dB range with better than 0.15-dB resolution. The Plug-In is designed for easy installation into DiCon's GP700M Modular Mainframe.



### FEATURES

- Precise resolution
- Low insertion loss
- Excellent repeatability
- Wide attenuation range
- Low back-reflection

### APPLICATIONS

Motorized variable attenuators automatically adjust power levels in optical measurement systems. Applications include tuning power levels to minimize bit-error rates in WDM systems.



U.S. patented. Specifications subject to change. Copyright ©2001 DiCon Fiber Optics, Inc. All rights reserved.

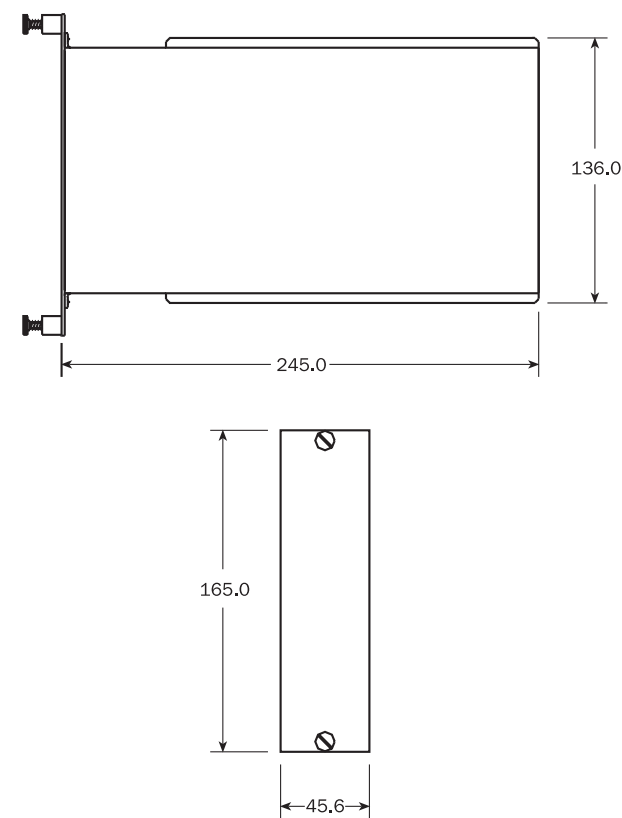
# MODULAR GP700

## SPECIFICATIONS<sup>1,4</sup>

Attenuation range <sup>2</sup>	0 - 10 dB	11 - 30 dB	31 - 60 dB
Turning resolution	0.10 dB	0.12 dB	0.15 dB
Repeatability	±0.05 dB	±0.1 dB	±0.1 dB
Absolute accuracy	±0.1 dB	±0.2 dB	±0.25 dB
PDL <sup>3</sup>	0.08 dB	0.1 dB	0.3 dB
Insertion loss	0.6 dB typ., 1.5 dB max.		
Back-reflection	-50 dB max.		
Tuning speed	50 ms min., 1400 ms max.		
Damage threshold	24 dBm min.		
Operating temperature	0°C to +40°C		
Storage temperature	-20°C to +60°C		
Humidity	40°C/90%RH/5 days		

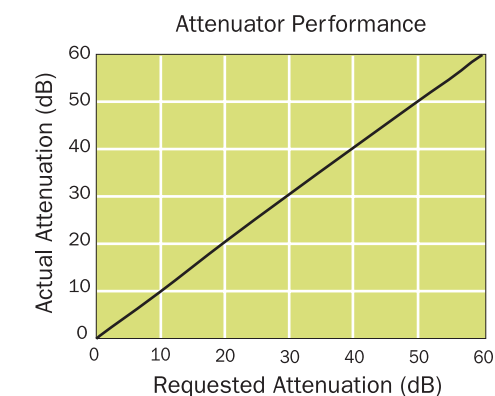
1. All specifications referenced without connectors.
2. Maximum attenuation for multimode components is 30 dB.
3. Singlemode only. Measured at 1550 nm.
4. Performance results may vary depending on multimode launch condition.

## HOUSING DIMENSIONS



Units: mm

## OPTICAL PERFORMANCE



## ORDERING INFORMATION

Calibration Wavelength <sup>1</sup>	
8	850.0 nm (multimode)
13	1310.0 nm
15	1550.0 nm

Fiber Type	
9	9/125, SMF-28
50	50/125
62	62.5/125

Adapter Type	
FC	FC/SPC
FC/APC	FC/APC
FC/UPC	FC/UPC
SC	SC/SPC
SC/APC	SC/APC
SC/UPC	SC/UPC
ST	ST/SPC
ST/UPC	ST/UPC
LC	LC/UPC
N	None

1. All wavelengths referenced to vacuum.