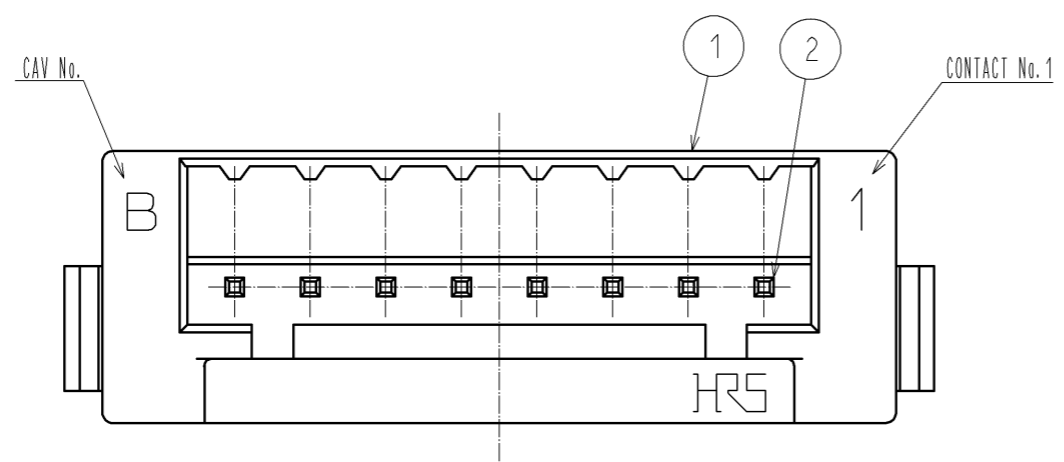
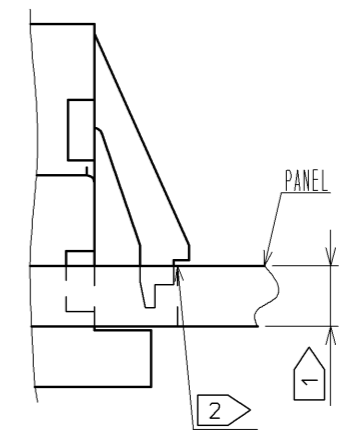
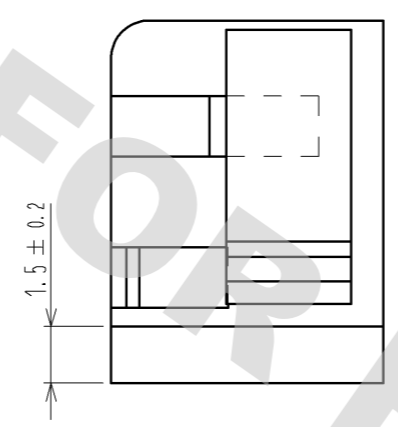
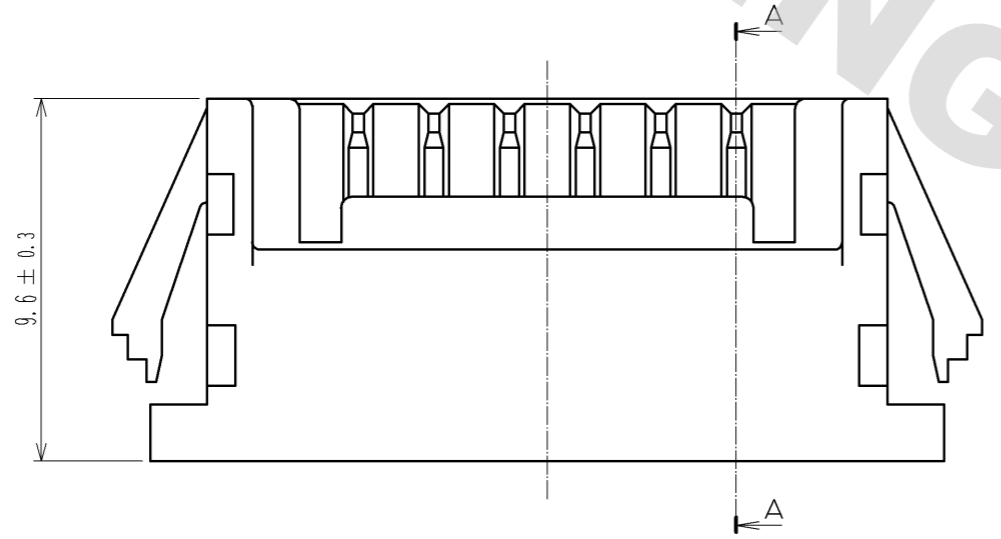
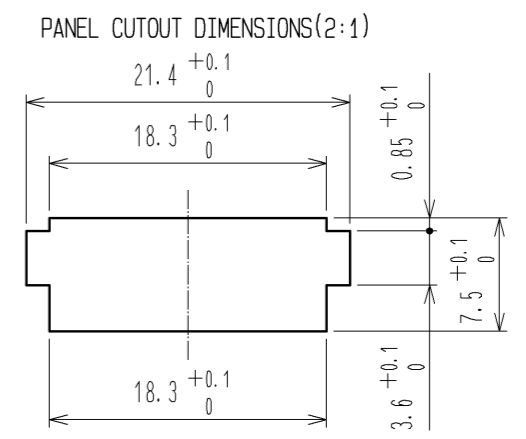
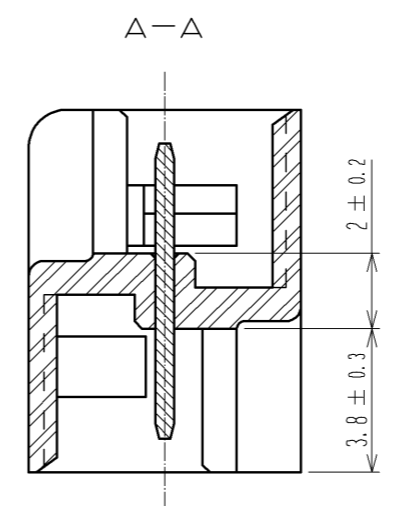
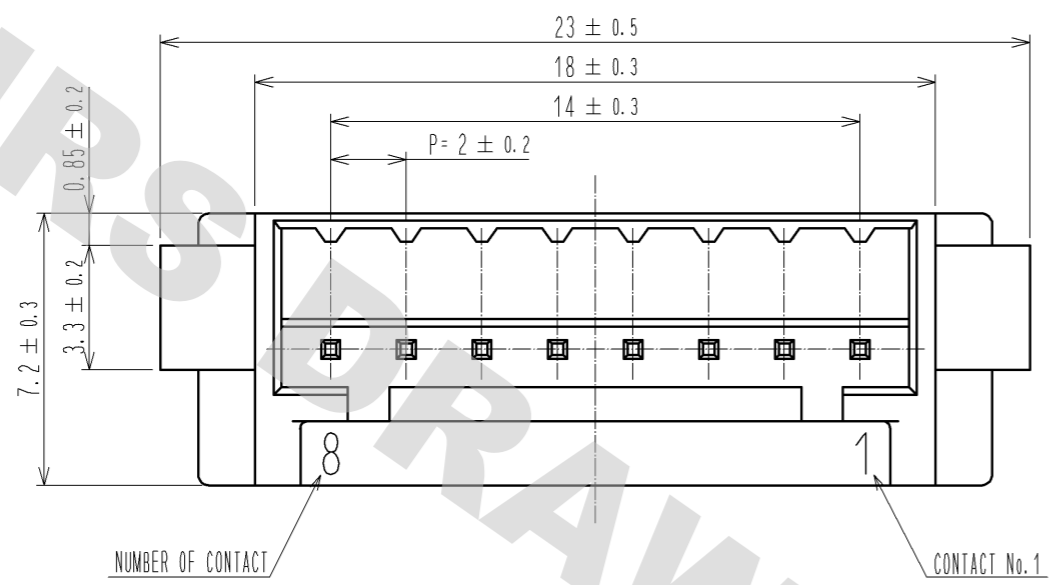


DRAWING FOR REFERENCE: This is subject to change without notice  
08/11/2012



NOTE 1 > APPLICABLE PANEL THICKNESS : 1.6~0.8mm  
(NOTE THAT SOME LOOSENESS IS UNAVOIDABLE WHEN THE PLUGS ARE MOUNTED ON A PANEL OF OTHER THAN 1.6 OR 2.2mm THICKNESS.)  
2 > USE THE SHARP EDGE FOR ENGAGEMENT WITH THE PANEL.

1	POLYAMIDE	UL94V-0. BLACK	2	BRASS	SURFACE:TIN PLATING 1µm min UNDER PLATING:NICKEL PLATED 0.5µm min
NO.	MATERIAL	FINISH . REMARKS	NO.	MATERIAL	FINISH . REMARKS
UNITS mm		SCALE 5 : 1		DESCRIPTION OF REVISIONS	DESIGNED
<b>HRS</b> HIROSE ELECTRIC CO., LTD.		APPROVED : TS. SAKATA	08.11.25	DRAWING NO.	EDC3-160486-01
		CHECKED : TS. KUMAZAWA	08.11.20	PART NO.	DF3-8EP-2A
		DESIGNED : KT. ISHII	08.11.19	CODE NO.	CL543-0273-2-00
		DRAWN : KT. ISHII	08.11.19		1/1