

ULN-3751Z
POWER OPERATIONAL AMPLIFIER

FEATURES

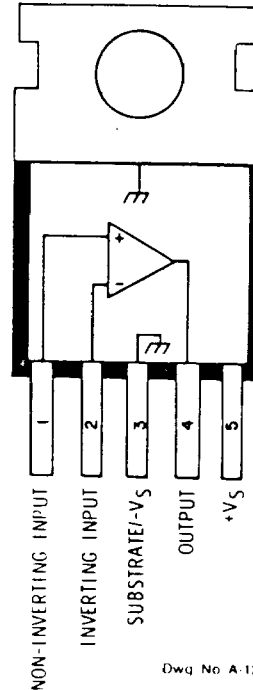
- $\pm 3\text{ V}$ to $\pm 13\text{ V}$ Operation
- High Output Swing
- Peak Output Current to $\pm 3.5\text{ A}$
- Low Input Offset
- 90 dB Typical Open-Loop Gain
- Internal Thermal Shutdown
- High Common-Mode Input Range
- Unity Gain Stable
- Pin Compatible with L165, L465, SG1173

A ²COMBINATION general-purpose operational amplifier and power booster, Type ULN-3751Z integrated circuit simplifies circuit design, reduces component count, and enhances system reliability.

This power op amp features high-impedance differential inputs, a unity-gain stable amplifier that needs no external compensation, and a high-current power output. Typical applications include use as voice-coil motor drivers, linear servo amplifiers, power oscillators, bipolar voltage regulators, and audio power drivers.

The ULN-3751Z is for applications demanding up to $\pm 3.5\text{ A}$ of output current. It is furnished in a modified 5-lead JEDEC-style TO-220 plastic package. Lead forming for vertical or horizontal mounting is available (ULN-3751ZV or ULN-3751ZH). The heat sink tab is at substrate potential and must be insulated from ground when the device is used with a split supply.

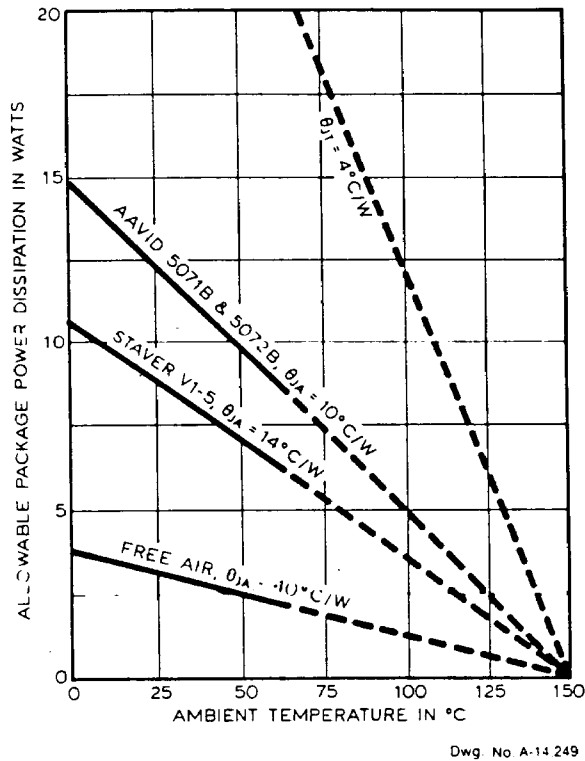
This power op amp operates over a recommended supply voltage range of $\pm 3\text{ V}$ to $\pm 13\text{ V}$. Dual power op amps are available as the ULN-3755B (16-pin DIP) and the high-power ULN-3755W (12-pin SIP). Both of those devices include output current sensing and a voltage boost connection to maximum output voltage swing to $\pm 20\text{ V}$ supplies at up to $\pm 3.5\text{ A}$ peak output current.



ABSOLUTE MAXIMUM RATINGS
 at $T_A = +25^\circ\text{C}$

Supply Voltage Differential (+ V_s to - V_s)	28 V
Peak Output Current, I_{OUT}	± 3.5 A
Input Voltage Range, V_{IN}	+ V_s to - V_s - 0.3 V
Package Power Dissipation, P_D	See Graph
Operating Temperature Range, T_A	0°C to $+70^\circ\text{C}$
Storage Temperature Range, T_S	-40°C to $+150^\circ\text{C}$

**ALLOWABLE POWER DISSIPATION
 AS A FUNCTION OF AMBIENT TEMPERATURE**



ELECTRICAL CHARACTERISTICS at $T_A = +25^\circ\text{C}$, $T_{\text{JAB}} \leq +70^\circ\text{C}$, $V_S = \pm 6.0\text{ V}$ (unless otherwise noted)

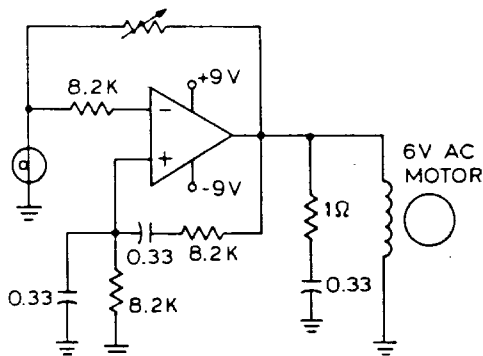
Characteristic	Test Conditions	Limits			
		Min.	Typ.	Max.	Unit
Functional Supply Voltage Range	$+V_S$ to $-V_S$	6.0	—	26	V
Quiescent Supply Current		—	40	60	mA
Input Bias Current	$V_{\text{IN}} = 0$, $I_{\text{OUT}} = 0$	—	-60	-1000	nA
Input Offset Voltage	$V_{\text{IN}} = 0$, $I_{\text{OUT}} = 0$	—	± 2.0	± 10	mV
Input Offset Current	$V_{\text{IN}} = 0$, $I_{\text{OUT}} = 0$	—	10	100	nA
Input Noise Voltage†	BW = 40 Hz to 15 kHz	—	4.0	—	μV
Input Noise Current†	BW = 40 Hz to 15 kHz	—	60	—	pA
Crossover Distortion†	$P_{\text{OUT}} = 50\text{ mW}$, $R_L = 4\ \Omega$	—	<0.05	—	%
Common Mode Rejection	$\Delta V_{\text{CM}} = 2\text{ V}$	60	85	—	dB
Input Common Mode Range†	Positive	—	$+V_S - 2\text{ V}$	—	V
	Negative	—	$-V_S - 0.3\text{ V}$	—	V
Open-Loop Voltage Gain	$f = 0$	80	90	—	dB
Slew Rate	$V_{\text{IN}} = V_{\text{OUT}} = 6\text{ Vpp}$, $R_L = \infty$	1.0	2.3	—	V/ μs
Gain-Bandwidth Product†	$A_v = 40\text{ dB}$	—	3.5	—	MHz
Output Voltage Swing	$I_{\text{OUT}} = 1.0\text{ A}$	4.5	4.7	—	V
	$I_{\text{OUT}} = -1\text{ A}$	-4.5	-4.7	—	V
Supply Voltage Rejection	$+V_S$, $\Delta V = 1\text{ V}$	60	85	—	dB
	$-V_S$, $\Delta V = 1\text{ V}$	60	80	—	dB
Thermal Shutdown Temp. †		—	160	—	$^\circ\text{C}$

*This parameter is tested to a lot sample plan only.

†Typical values given for circuit design information only.

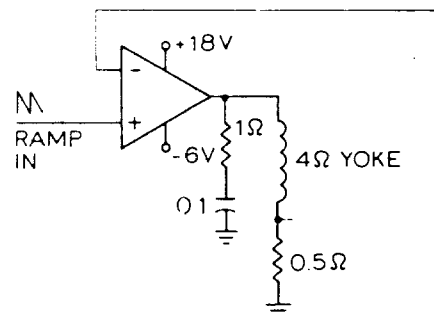
TYPICAL APPLICATIONS

**WIEN BRIDGE
OSCILLATOR/MOTOR DRIVER**



Dwg No A-12 376B

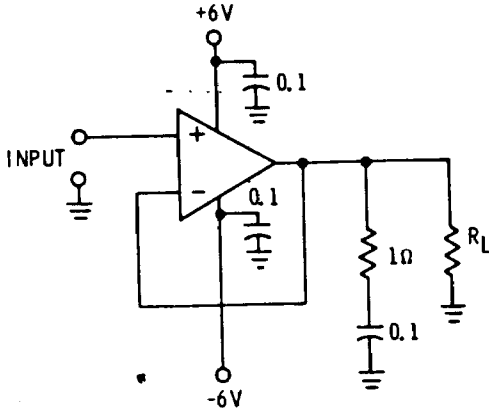
**VIDEO MONITOR
VERTICAL DEFLECTION MAP**



Dwg No A-12.375A

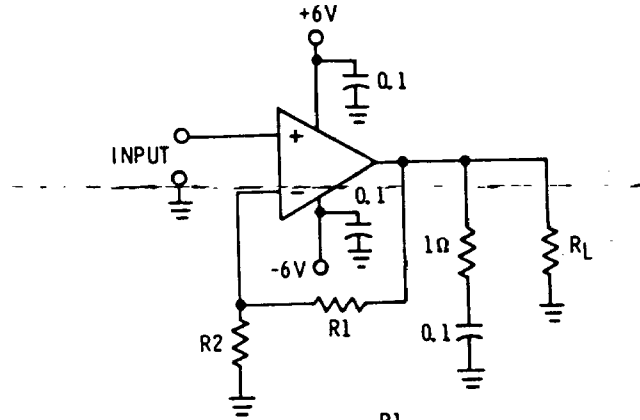
TYPICAL APPLICATIONS

UNITY GAIN VOLTAGE FOLLOWER



Dwg No A-12.551

NON-INVERTING POWER AMPLIFIER

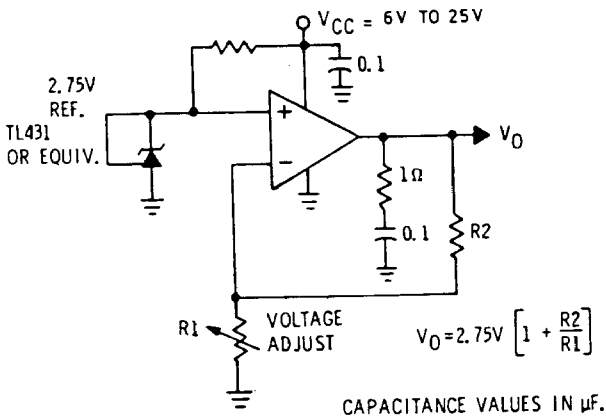


$$A_V = 1 + \frac{R_1}{R_2}$$

CAPACITANCE VALUES IN μF.

Dwg No A-12.552

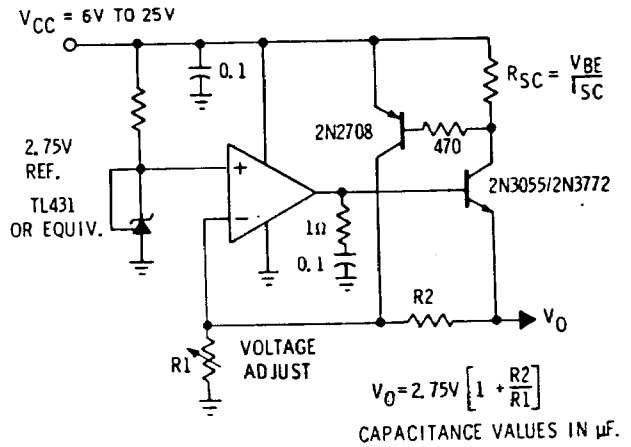
LINEAR VOLTAGE REGULATOR



CAPACITANCE VALUES IN μF.

Dwg. No. A-12.553A

HIGH-POWER LINEAR REGULATOR
(Short-Circuit Protected)

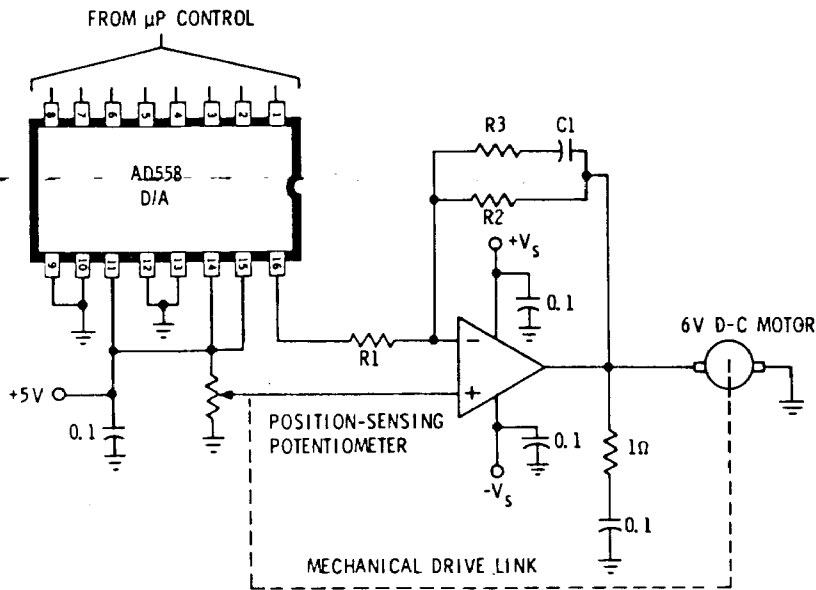


CAPACITANCE VALUES IN μF.

Dwg No A-12.554B

TYPICAL APPLICATIONS

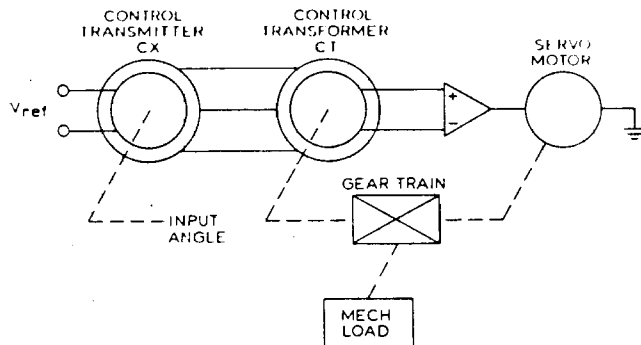
SINGLE-ENDED POSITION SERVO WITH SENSE POTENTIOMETER



R1, R2 DEFINE D-C GAIN.
R3, C1 PICKED TO PROVIDE LOOP COMPENSATION.
CAPACITANCE VALUES IN μ F.

Dwg No A-12.556

SIMPLIFIED SERVO APPLICATION WITH CONTROL TRANSFORMERS



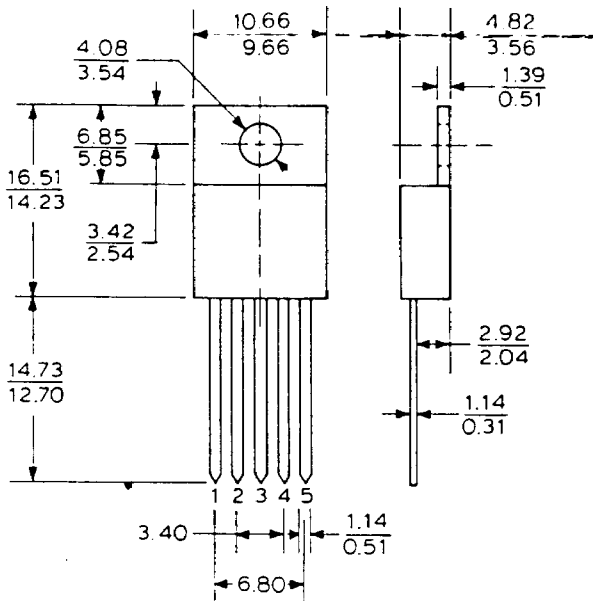
Dwg No A-14.250

PLASTIC SIP

SPRAGUE PACKAGE DESIGNATOR Z, ZH OR ZV

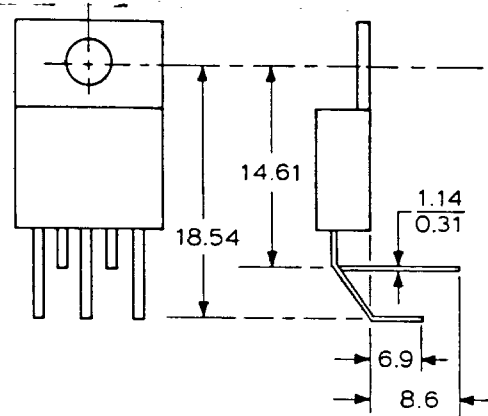
DIMENSIONS IN MILLIMETERS
Based on 1" = 25.4 mm

DESIGNATOR Z
(JEDEC Designation TO-220AB)



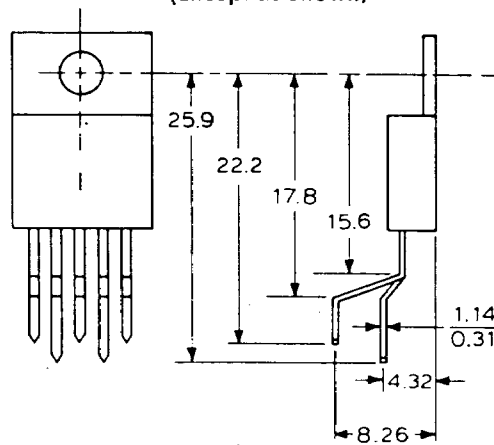
Dwg No A-13 654 MM

DESIGNATOR ZH
PACKAGE Z
(Except as Shown)



Dwg No A-13 655 MM

DESIGNATOR ZV
PACKAGE Z
(Except as Shown)



Dwg No A-13 656 MM

- A. Dimensions shown as — / — are Min./Max.
- B. Lead thickness is measured at seating plane or below.
- C. Lead spacing tolerance is non-cumulative.
- D. Exact body and lead configuration at vendor's option within limits shown.
- E. Leads missing from their designated positions shall also be counted when numbering leads.
- F. Lead gauge plane is 0.030" (7.62 mm) max. below seating plane.

SALES OFFICES

UNITED STATES

ALABAMA

EPI Inc.
Suite 13 — 9694 Hwy 20 W
Madison 35758
Tel 205-461-7000

Electramark Inc.

Suite 21
22 South Memorial Parkway
Mantoloking 35801
Tel 205-883-9948

ARIZONA

Sprague Electric Company
Suite 209 — 1819 S. Dobson Rd
Mesa 85202 — 5690
Tel 602/244-0154
602/831-6762

Sprague Electric Company

Suite 601
50 E. Pennsylvania Street
Mason 85714 — 1640
Tel 602-746-0955

CALIFORNIA (Metro. L.A.)

Sprague Electric Company
Suite 150 — 3100 S Harbor Blvd
Santa Ana 92704
Tel 714/549-9913

Sprague Electric Company

Suite 459
350 Sherman Way
Chico Hills 91406
Tel 818/994-6500

(Northern)

William J. Purdy Company
10 Airport Blvd
Springdale 94010 — 1927
Tel 415/347-7701

(San Diego)

Mer Associates, Inc.
Suite 117 — 10721 Trenea Street
San Diego 92131 — 1009
Tel 619/566-9891

COLORADO

William J. Purdy Company
70 E. Yale Ave
Denver 80222 — 6907
Tel 303/753-6800

Gold & Fry Associates

P.O. Box 1689
Birmingham 80502 — 1689
Tel 303/776-7331

CONNECTICUT

Sprague Electric Company
Main Street South
Middletown 06488
Tel 203/264-9595

Sprague Electric Company

P.O. Hartford Turnpike South
P.O. Box 578
Hartford 06492 — 0578
Tel 203/284-8300

Florida Mark Inc.

Unit 7C-2514 Boston Post Road
Burlington 06437
Tel 203/453-0575

STATE OF COLUMBIA

Sprague Electric Company
Suite 311
14333 Laurel-Bowie Road
Laurel, MD 20708 — 1130
Tel 301/953-1717

Trinkle Sales Inc.

P.O. Box 5320
Cherry Hill, NJ 08034 — 0460
Tel 609/795-4200

FLORIDA

Sprague Electric Company
P.O. Box 1410
Altamonte Springs 32715 — 1410
Tel 305/831-3636

Sprague Electric Company

Suite 419 — 1500 N.W. 62nd Street
Ft. Lauderdale 33309 — 1802
Tel 305/491-7411

Sprague Electric Company

Suite T Building 501
1001 North Dale Mabry
Tampa 33614 — 3265
Tel 813/935-8203

GEORGIA

Electramark Inc.
6030 — 1 Unity Drive
Norcross 30071 — 3583
Tel 404/446-7915

Electronic Marketing Associates

Suite 101
6695 Peachtree Industrial Blvd
Atlanta 30360 — 2116
Tel 404/448-1215

ILLINOIS (Northern)

D. Dolin Sales

609 Academy Drive
Northbrook 60062
Tel 312/498-6770

(Southern)

EPI Inc.
Suite 201 — 103 W. Lockwood
St. Louis, MO 63119 — 2915
Tel 314/962-1411

INDIANA

Sprague Electric Company
Suite 290 — 8200 Haverstick Road
Indianapolis 46240
Tel 317/253-4247

IOWA

J. R. Sales Engineering, Inc.
1930 St. Andrews N.E.
Cedar Rapids 52402
Tel 319/393-2232

KANSAS

EPI Inc.
9016 West 83rd Street
Overland Park 66204
Tel 913/341-2024

KENTUCKY

Sprague Electric Company
821 Corporate Drive
Unit #16, Suite 200
Lexington 40503
Tel 606/224-4230

MARYLAND

Sprague Electric Company
Suite 311
14333 Laurel-Bowie Road
Laurel 20708 — 1130
Tel 301/792-4890

Trinkle Sales Inc.

P.O. Box 5320
Cherry Hill, NJ 08034 — 0460
Tel 609/795-4200

MASSACHUSETTS

New England Technical Sales Corp.
101 Cambridge Street
Burlington 01803
Tel 617/272-0434

MICHIGAN

Sprague Electric Company
Suite 301 — 2155 Jackson Road
Ann Arbor 48103 — 3917
Tel 313/761-2014

MINNESOTA

HMR, Inc.
9065 Lyndale Ave. South
Minneapolis 55420 — 3520
Tel 612/888-2122

MISSISSIPPI

EPI Inc.
Suite 13 — 9694 Hwy 20 W
Madison, AL 35758
Tel 205/461-7000

MISSOURI

EPI Inc.
Suite 201 — 103 W. Lockwood
St. Louis 63119 — 2915
Tel 314/962-1411

NEBRASKA

J. R. Sales Engineering, Inc.
1930 St. Andrews N.E.
Cedar Rapids Iowa 52402
Tel 319/393-2232

NEW HAMPSHIRE

New England Technical Sales Corp.
101 Cambridge Street
Burlington, MA 01803
Tel 617/272-0434

NEW JERSEY (Northern)

Sprague Electric Company
P.O. Box 1612
Wayne 07470 — 0701
Tel 201/696-8200

(Southern)

Trinkle Sales Inc.
P.O. Box 5320
Cherry Hill 08034 — 0460
Tel 609/795-4200

NEW MEXICO

William J. Purdy Company
120 LaVeta Drive NE
Albuquerque 87108 — 1613
Tel 505/266-7959

NEW YORK (Downstate)

Sprague Electric Company
2001 Palmer Ave
Larchmont 10538 — 2420
Tel 914/834-4439

(Long Island)

Sprague Electric Company
P.O. Box 541
Central Islip 11722 — 0541
Tel 516/234-8700

(Upstate)

Sprague Electric Company
2002 Teall Ave
Syracuse 13206 — 1542
Tel 315/437-7311

Paston-Hunter Co., Inc.

2002 Teall Ave
Syracuse 13206 — 1596
Tel 315/437-2843

NORTH CAROLINA

Sprague Electric Company
9741-M Southern Pine Blvd
Charlotte 28210 — 5560
Tel 704/527-1306

Electronic Marketing Associates

9225 Honeycutt Creek Rd
Raleigh 27609 — 1523
Tel 919/847-8800

OHIO

Sprague Electric Company
Suite 330 — 555 Metro Place North
Dublin 43017 — 1375
Tel 614/761-1881

OREGON

Sprague Electric Company
Suite L
16209 S.E. McGillivray Boulevard
Vancouver, WA 98664 — 9025
Tel 503/225-0493
Tel 206/892-0361

William J. Purdy Company

7799 Southwest Cirrus Drive
Beaverton 97005 — 5945
Tel 503/641-9373

PENNSYLVANIA

Trinkle Sales Inc.
P.O. Box 5320
Cherry Hill, NJ 08034 — 0460
Tel Phila 215/922-2080

SOUTH CAROLINA

Electronic Marketing Associates
210 W. Stone Ave
Greenville 29609 — 5499
Tel 803/233-4637

TENNESSEE (Eastern)

Electronic Marketing Associates
9225 Honeycutt Creek Road
Raleigh, NC 27609 — 1523
Tel 919/847-8800

(Western)

EPI Inc.
Suite 13 — 9694 Hwy 20 W
Madison, AL 35758
Tel 205/461-7000

TEXAS

Sprague Electric Company
Suite 220
9319 LBJ Freeway
Dallas 75243 — 3403
Tel 214/235-1256
Sprague Electric Company
Suite 350W — 1106 Clayton Lane
Austin 78723 — 1033
Tel 512/458-2514

UTAH

William J. Purdy Company
5570 E. Yale Avenue
Denver, CO 80222 — 6907
Tel 303/753-6800

VIRGINIA

Sprague Electric Company
1 East Preston St
Lexington 24450 — 1024
Tel 703/463-9161
Sprague Electric Company
Suite 311
14333 Laurel-Bowie Road
Laurel, MD 20708 — 1130
Tel 301/953-1717

Trinkle Sales Inc.

P.O. Box 5320
Cherry Hill, NJ 08034 — 0460
Tel 609/795-4200

WASHINGTON

Sprague Electric Company
Lake Union Place
Suite 301
1914 North 34th Street
Seattle 98103
Tel 206/632-7761

Sprague Electric Company

Suite L
16209 S.E. McGillivray, Bldg
Vancouver 98664
Tel 206/892-0361
Tel 503/225-0493

William J. Purdy Company

4082-148th Ave NE
Redmond 98052 — 5165
Tel 206/882-3144

WISCONSIN

D. Dolin Sales
131 West Layton Ave
Milwaukee 53207 — 5991
Tel 414/482-1111

PUERTO RICO

Electronic Sales Associates
Calle 203 GO 11
Country Club 3rd Ext
Rio Piedras
Tel 809/762-6549

CANADA

Sprague Electric of Canada, Ltd.
Suite 220
2375 Steeles Avenue W
Downsview, Ontario M3J 3A8
Tel 416/665-6066

CANADA (continued)

Sprague Electric of Canada, Ltd.
301 Moodie Drive
Suite 300
Nepean Ontario K2H 9C4
Tel 613/726-0696

Birde Marketing, Inc.

Unit 1
111 Esna Park Drive
Markham Ont L3R1H2
Tel 416/477-7722

EUROPE

Sprague World Trade Corp.
18 Avenue Louis Casar
1209-Geneva
Switzerland
Tel 98-4021
TLX 845-23469

Sprague Benelux

Excelsiorlaan 21
Bus 3
1930 Zaventem
Belgium
Tel 02/721 48 60
TLX 62897

Sprague Electric (U.K.) Ltd.

Airtech No 2
Fleming Way
Crawley West Sussex RH 102 YQ
England
Tel 011-44-293-51-78-78
TLX 877813

Sprague France S.A.R.L.

3 Rue Camille Desmoulins
94230 Cachan
France
Tel (1) 45-47-66-00
TLX 250697

Sprague Elektronik GMBH

Hainerweg 48
D-6000 Frankfurt 70
West Germany
Tel 069-60551
TLX 414008

Sprague Italiana S.p.A.

Via G. DeCastro 4
20144 Milano
Italy
Tel 02-498-7891
TLX 332321

Sprague Scandinavia AB

Box 802
S-191 28 Sollentuna
Sweden
Tel (04) 08-9205 95
TLX 854 15239

FAR EAST

Sprague World Trade Corp.

Eastern Branch
G.P.O. Box 4289
Hong Kong
Tel 0-283188
TLX 43395

Sprague Japan K.K.

Shinjuku KB Bldg.
11-3 Nishi-Shinjuku 6-Chome
Shinjuku-ku, Tokyo 160
Japan
Tel (03) 348-5221
TLX J23328

Tecnomil Ltd.

Sprague Korea Branch
4th Fl., Dayoung Bldg.,
44-1, Yoido-Dong
Youngdongpo-Ku, Seoul, Korea
Tel (2) 783-9784
TLX 78726186

Sprague World Trade Corp.

Singapore Office
11th Floor, 450/452 Inchcape House
Alexandra Road
Singapore 0511
Tel 475-1826
TLX RS 26384

Sprague Taiwan Branch/

Tecnomil, Ltd.
8/F, 142, Sec 4
Chung Hsiao East Road
Taipei, Taiwan, R.O.C
Tel 771 9582
TLX 21422

In the construction of the components described, the full intent of the specification will be met. The Sprague Electric Company, however, reserves the right to make, from time to time, such departures from the detail specifications as may be required to permit improvements in the design of its products. Components made under military approvals will be in accordance with the approval requirements. The information included herein is believed to be accurate and reliable. However, the Sprague Electric Company assumes no responsibility for its use; nor for any infringements of patents or other rights of third parties which may result from its use.

2475