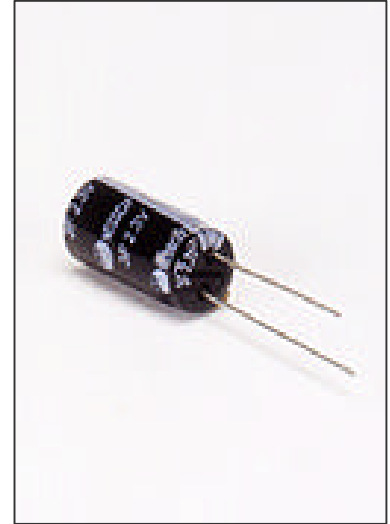
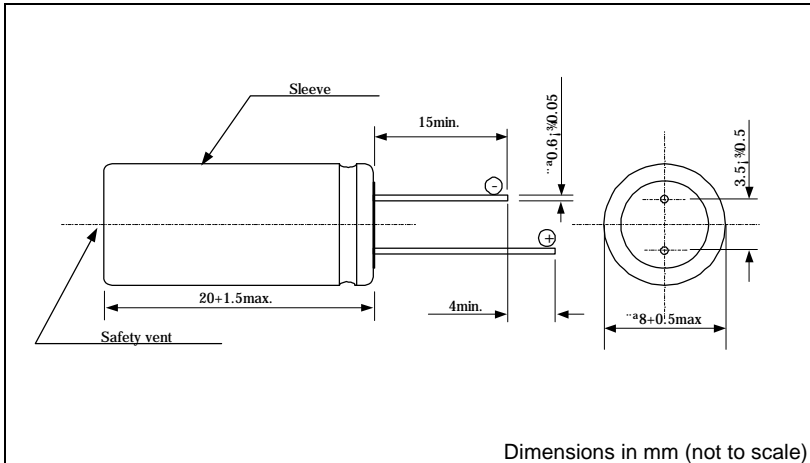


NESSCAP 3F/2.3V

ESLLR-0003CO-002R3

■ Features

- Cylindrical cell
- Radial lead terminals



■ Specifications

Rated Capacitance, C (DCC ⁽¹⁾ , 25°C)		3 Farads	(1) Discharging with constant current
Capacitance Tolerance		-10% / +20%	
Rated Voltage, V _R		2.3 V	
Surge Voltage		2.7 V	
Rated Current (25°C) ⁽²⁾		0.651 A	(2) 5 sec discharge rate to 1/2 V _R
Max. Current (25°C) ⁽³⁾		> 2.7 A	(3) 1 sec discharge rate to 1/2 V _R
Max. Stored Energy (at V _R)		7.94J (0.0022 Wh)	
Specific Energy	Gravimetric	1.29 Wh/kg	
	Volumetric	2.2 Wh/l	
Specific Power ⁽⁴⁾ (at matched load)	Gravimetric	7.78 kW/kg	(4) Power density at which one-half the energy of the discharge is in the form of electricity and one-half is in heat.
	Volumetric	13.2 kW/l	
Maximum Internal Resistance (ESR)	AC (1kHz)	75 mW	
	DC (0.3A)	100 mW	
Dimensions		φ 8 x L 20 mm	
Volume		1.0 ml	
Weight		1.7 g	
Operating temperature range ⁽⁵⁾		-40 ~ 60 °C	(5) 1/2DC 1/2 < 20% and ESR < 2 times of initially measured value at 25°C, respectively
Storage temperature range		-40 ~ 70 °C	
Max. Leakage Current, L _C (12h, 25°C)		500 mA	
Life Time at RT ⁽⁶⁾		10 years	(6) 1/2DC 1/2 < 30% and ESR < 2 times of initially measured value, respectively and LC < specified value
Cycle Life (25°C) ^{(6), (7)}		500,000 cycles	(7) 1 cycle: charging to V _R for 20s, constant voltage charging for 10s, discharging to 1/2V _R for 20s, rest for 10s