

2ed.**Tokin**

B-39-05

AF COILS

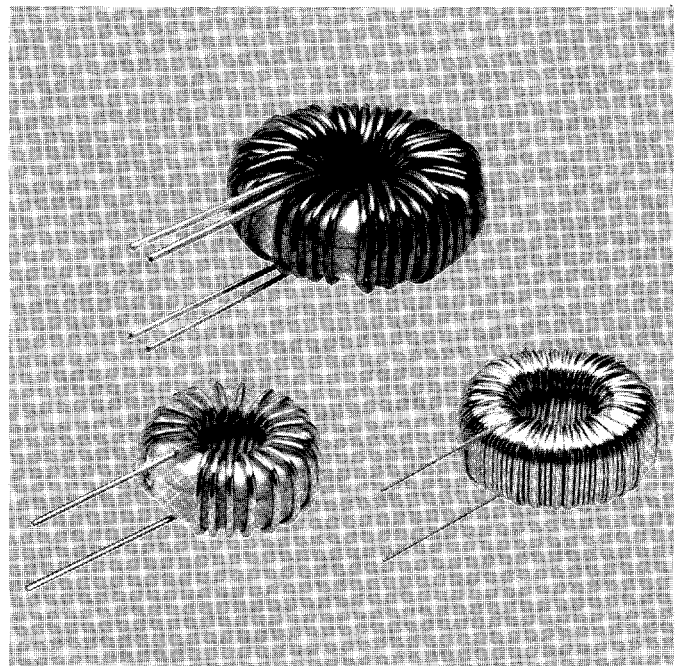
AMORPHOUS-CORE SMOOTHING-TYPE CHOKE COILS FOR SWITCHING POWER SUPPLIES

Introduction

Tokin AF toroidal choke coils are the result of our recent technological advances with non-crystalloid cores. Their superior standards are achieved by the coil's high magnetic saturation flux density, higher than that of ferrite-core choke coils. AF coils ensure excellent performance for high-frequency switching power supplies.

Features

- Small size: approximately 1/2 the volume and weight of ferrite-core coils, with no change in performance.
- Minimum temperature rise at high frequency range, compared with conventional low silicon steel cores.
- No thermal avalanche during overload.
- Excellent frequency response (applicable up to 500 kHz.).



Specifications

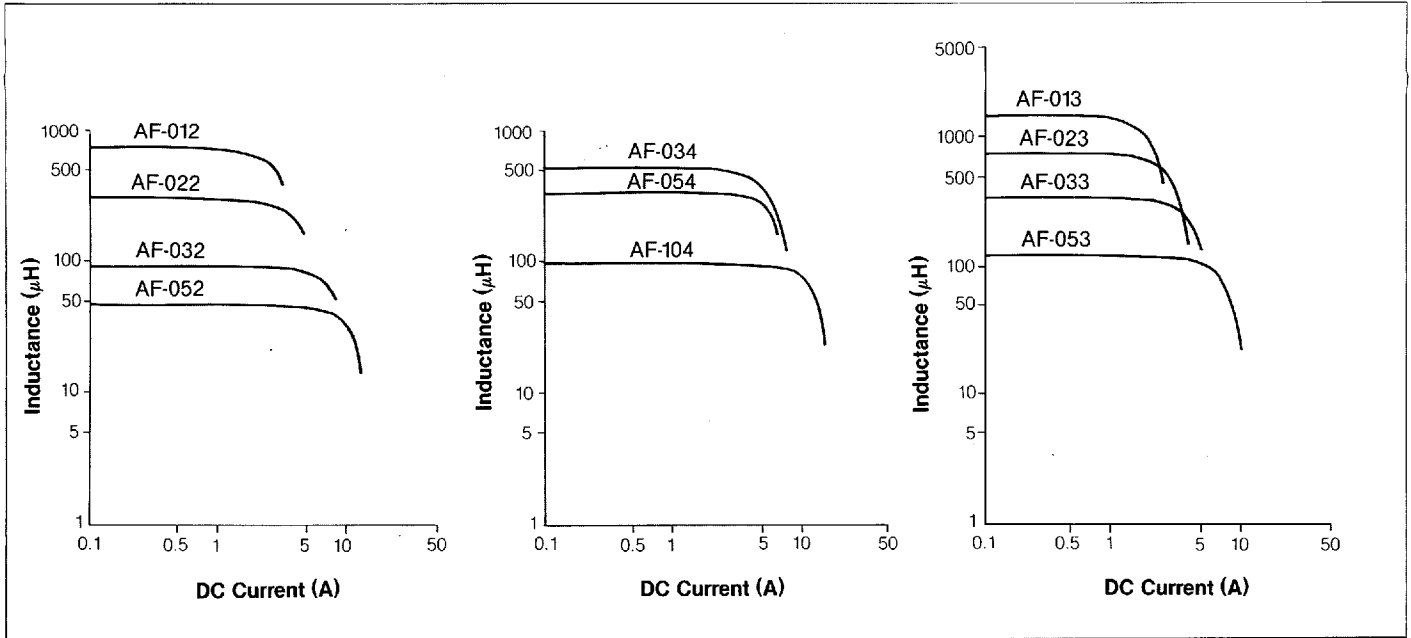
Type	Rated current I _{dc} (A)	Rated inductance L (μ H)	DC resistance R _{dc} (m Ω)	Overall dimensions D x H (mm)	Dia. of magnetic wire (mm ϕ)	Temp. rise (deg.)
AF-012	1	700	190	20 x 10	0.5	≤ 15
AF-022	2	270	60	21 x 11	0.7	
AF-032	3	90	30	21 x 11	0.8	
AF-052	5	45	15	21 x 11	1.0	
AF-013	1	1400	320	24 x 12	0.5	≤ 15
AF-023	2	650	115	24 x 12	0.7	
AF-033	3	300	60	24 x 12	0.8	
AF-053	5	100	25	24 x 12	1.0	
AF-034	3	480	70	31 x 13	0.8	≤ 20
AF-054	5	280	40	32 x 13	1.0	
AF-104	10	80	10	32 x 15	1.1 x 2P	

Note: 1. Tolerance of inductance: $\pm 25\%$

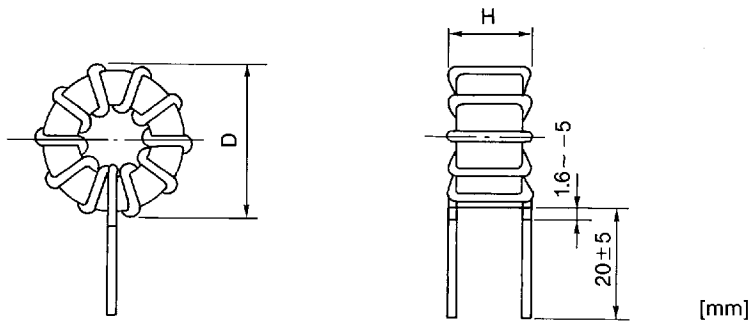
2. Copper wire material: 1-UJEW or 1-PEW

3. Coils with specifications different from these are also available on request. Please contact us for details.

DC Pre-Magnetization Characteristics (f: 1kHz, V=1V)



Shape and Dimensions



Specifications are subject to change without notice.

Tokin

Tokin Corporation

Hazama Bldg, 5-8, Ni-chome, Kita-aoyama, Minato-ku, Tokyo 107, Japan
 Tel: Tokyo (03) 402-6166 Fax: Tokyo (03) 497-9756 Telex: 02422695 TOKIN J

Tokin America Inc.

2261 Fortune Drive, San Jose, California 95131, U.S.A.
 Tel: 408-432-8020 Fax: 408-434-0375

Cat.No. CD-40E K870620P₂
 Printed in Japan