

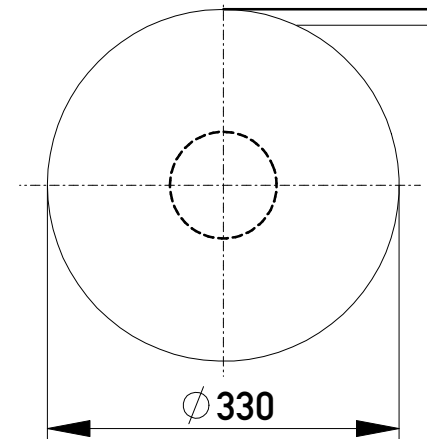
Anforderungsstufe 1
Performance Level 1

Kontaktbereich vergoldet
Mating Area gold plating

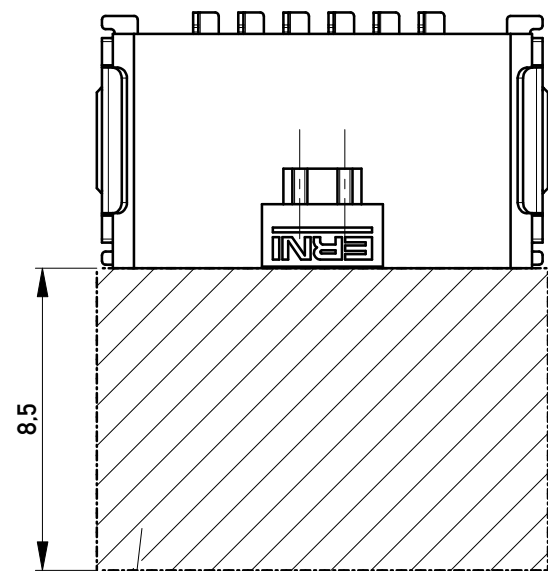
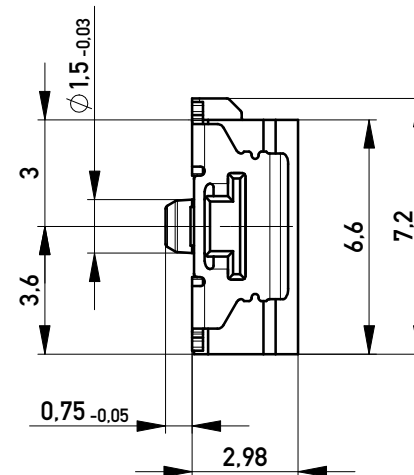
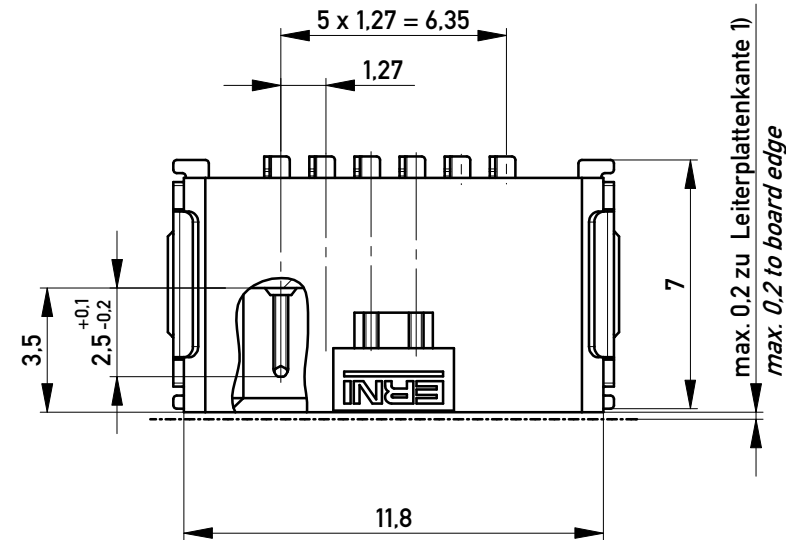
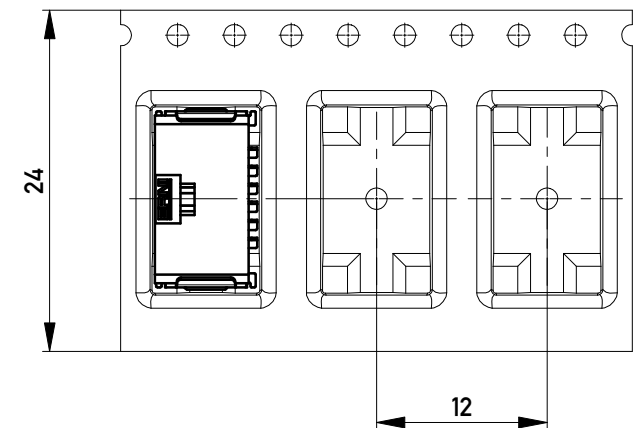
Anschlussbereich verzinkt 4-6 µm
Terminal Area 4-6 µm tin plating

Koplanarität der Anschlüsse ≤ 0.1 mm
Coplanarity Area of Termination ≤ 0.1 mm

Verpackt in Gurtverpackung
Tape on Reel Packaging
Verpackungseinheit: 1000 Stück
Packaging unit: 1000 pcs



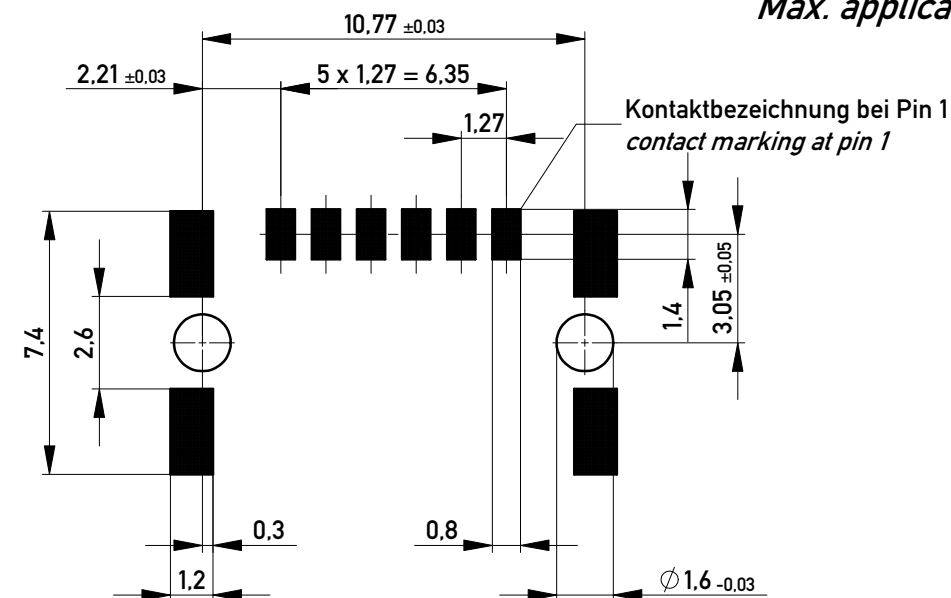
Abspulrichtung - Reel off Direction



Leiterplatten-Layout für SMT
PCB-Layout for SMT

Max. Applikationstemperatur 150°C
Max. application temperature 150°C

Sperrfläche für Leiterbahnen
gültig bei Verwendung von
Gegenstecker Federleiste 90°
in SKV Ausführung
Restricted area for conductors
valid for use by mating
female connector 90°
in IDC version



1) gültig bei Verwendung von Gegenstecker Federleiste 90° in SMD Ausführung
valid for use by mating female connector 90° in SMD version

Information:	Tolerances	 All Dimensions in mm	Scale	5:1
	All rights reserved. Only for Information. To ensure that this is the latest version of this drawing, please contact one of the ERNI companies before using.		Designation M 1,27 SRC A, 6-polig BA1	
Subject to modification without prior notice. Drawing will not be updated.		 www.ERNI.com	100102460001	
f	13.05.2013		Class SRCA	
Index	Date			K A3

Copyright by ERNI GmbH
Proprietary notice pursuant to ISO 16016 to be observed.