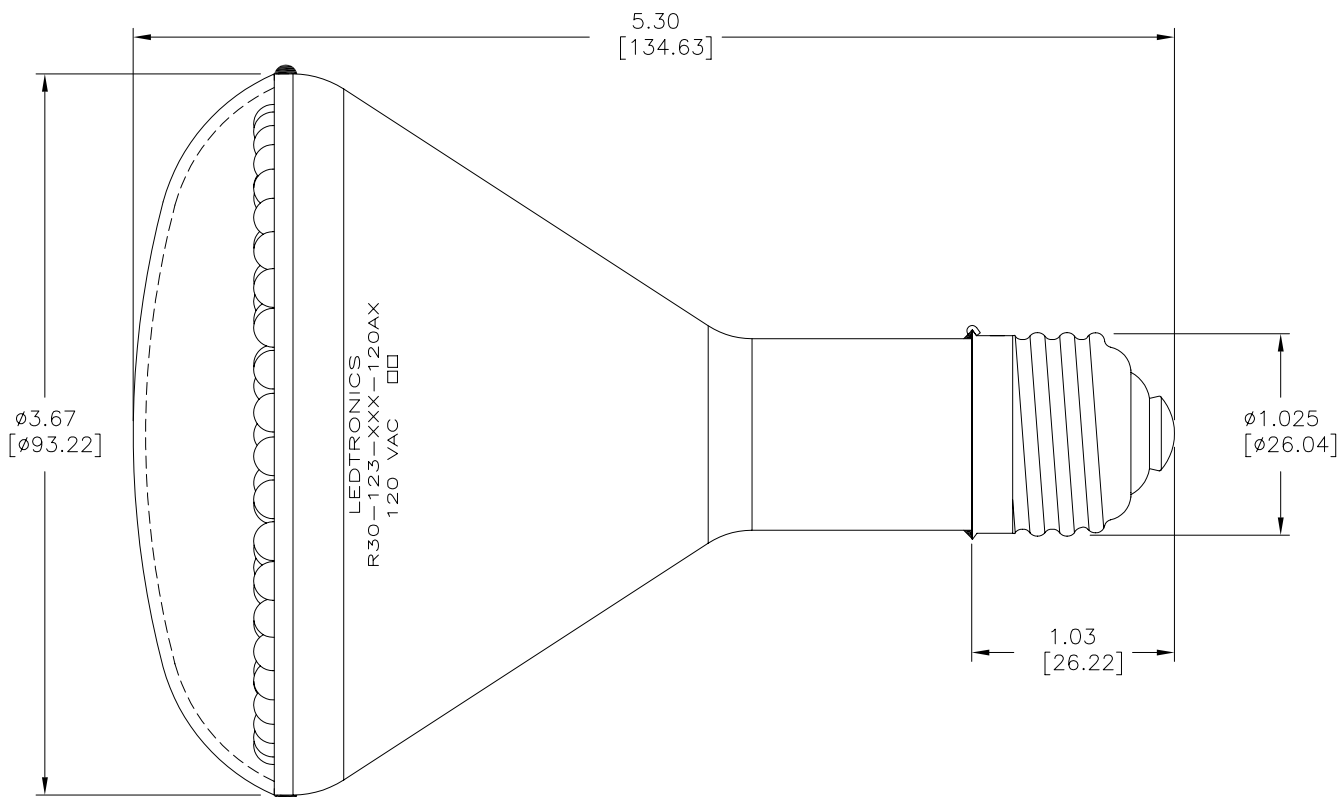


LTR	REVISION	DATE	APPD
-	RELEASED	02-25-08	



**NOTE:**  
1. ALL PARTS WITH (\*) ARE "RoHS" CERTIFIED.

R30-123-0AG-120AN	120	AQUA GREEN	120VAC	90	390	4.5	15°	2091	525	
R30-123-0PB-120AN	120	SUPER BLUE	120VAC	65	90	4.5	15°	461	470	
R30-123-0WW-120AS	120	COOL WHITE	120VAC	60	128	4.5	20°	570	8000K	
R30-123-2IW-120AS*	120	WARM WHITE	120VAC	30	108	4.5	15°	450	3000K	*
R30-123-XCW-120AM	120	COOL WHITE	120VAC	60	156	4.5	40°	500	8000K	
R30-123-XCW-120AN	120	COOL WHITE	120VAC	60	240	4.5	15°	960	8000K	
R30-123-XIW-120AM*	120	WARM WHITE	120VAC	60	192	4.5	40°	360	3000K	*
R30-123-XIW-120AS*	120	WARM WHITE	120VAC	60	192	4.5	15°	840	3000K	*
R30-123-XPW-120AM*	120	PURE WHITE	120VAC	60	252	3.9	40°	585	5500K	*
R30-123-XPW-120AN*	120	PURE WHITE	120VAC	60	252	3.9	15°	1020	5500K	*

LEDTRONICS PART NO.	# LEDS	COLOR EMITTED	SET VOLTS	READ mA	Intensity in Total Lumens	WATTS	BEAM ANGLE	Total End Foot Candles	λP nm
---------------------	--------	---------------	-----------	---------	---------------------------	-------	------------	------------------------	-------

**ELECTRICAL TEST**

**-PROPRIETARY-**  
This document contains Proprietary information of LEDTRONICS, INC. It may not be copied, used or disclosed for any purpose without the prior express written consent of LEDTRONICS, INC.

.XXX ± .010 TOLERANCE PER ANSI-Y14.5  
.XX ± .025 (UNLESS OTHERWISE STATED)  
ANGLES ± 0°,30'  
FRACT. ± 1/32

TITLE <b>R30-123-XXX-120AX (120 LEDS)</b>					
DWG NO R30-123-120VAC		SCALE 1:1	SHEET 1 OF 1	DATE 01-18-08	
CODE IDENT NO. 8Z410	DWG BY GP/MM	CHK BY PL	QA 02-27-08	MNFG	CUSTOMER