

**PLEASE CHECK WWW.MOLEX.COM FOR LATEST PART INFORMATION**

**Part Number:** [0353130360](#)  
**Status:** **Active**  
**Description:** 3.96mm Pitch Header, Vertical, Shrouded, with Positive Lock, 3 Circuits, PA Polyamide (Nylon) 6/6, Glass-filled, Natural

**Documents:**

<a href="#">3D Model</a>	<a href="#">Product Specification PS-35156-004-001 (PDF)</a>
<a href="#">3D Model (PDF)</a>	<a href="#">Packaging Specification PK-35313-001-001 (PDF)</a>
<a href="#">Drawing (PDF)</a>	<a href="#">RoHS Certificate of Compliance (PDF)</a>

**Agency Certification**

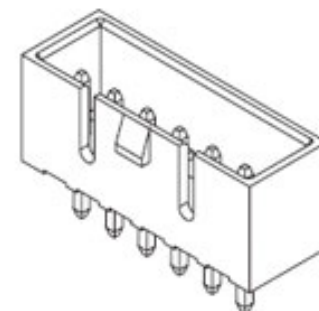
CSA	LR19980
UL	E29179

**General**

Product Family	PCB Headers
Series	<a href="#">35313</a>
Application	Power, Wire-to-Board
Component Type	PCB Header
Product Name	N/A
Taxonomy	PCB Headers and Receptacles
UPC	822348800575

**Physical**

Breakaway	No
Circuits (Loaded)	3
Circuits (maximum)	3
Color - Resin	Natural
Durability (mating cycles max)	30
First Mate / Last Break	No
Flammability	94V-0
Glow-Wire Capable	No
Guide to Mating Part	No
Keying to Mating Part	None
Lock to Mating Part	Yes
Material - Plating Mating	Tin
Material - Plating Termination	Tin
Material - Resin	Nylon
Net Weight	0.937/g
Number of Rows	1
Orientation	Vertical
PC Tail Length	3.40mm
PCB Locator	No
PCB Retention	None
PCB Thickness - Recommended	1.60mm
Packaging Type	Bag
Pitch - Mating Interface	3.96mm
Pitch - Termination Interface	3.96mm
Plating min - Mating	5.080µm
Plating min - Termination	5.080µm
Polarized to Mating Part	Yes
Polarized to PCB	No
Shrouded	Partial
Stackable	No
Temperature Range - Operating	-40° to +105°C
Termination Interface: Style	Through Hole



*Series image - Reference only*

**EU ELV**

**Not Relevant**

**EU RoHS**

**Compliant**

**REACH SVHC**

Not Contained per -  
D(2022)4187-DC (10  
June 2022)

**Halogen-Free**

**Status**

**Not Low-Halogen**

For more information, please visit [Contact US](#)

China ROHS

ELV

RoHS Phthalates

**China RoHS**

Green Image

Not Relevant

Not Contained

**Search Parts in this Series**

[35313](#) Series

**Mates With**

[35156](#) Wire-to-Board Housing

**Electrical**

Current - Maximum per Contact

7.0A

Voltage - Maximum

250V

**Material Info****Reference - Drawing Numbers**

Packaging Specification

PK-35313-001-001

Product Specification

PS-35156-004-001

Sales Drawing

SD-35313-001-001

This document was generated on 03/08/2023

**PLEASE CHECK [WWW.MOLEX.COM](http://WWW.MOLEX.COM) FOR LATEST PART INFORMATION**