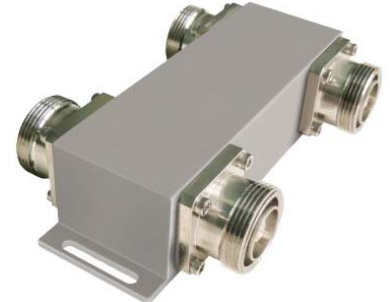
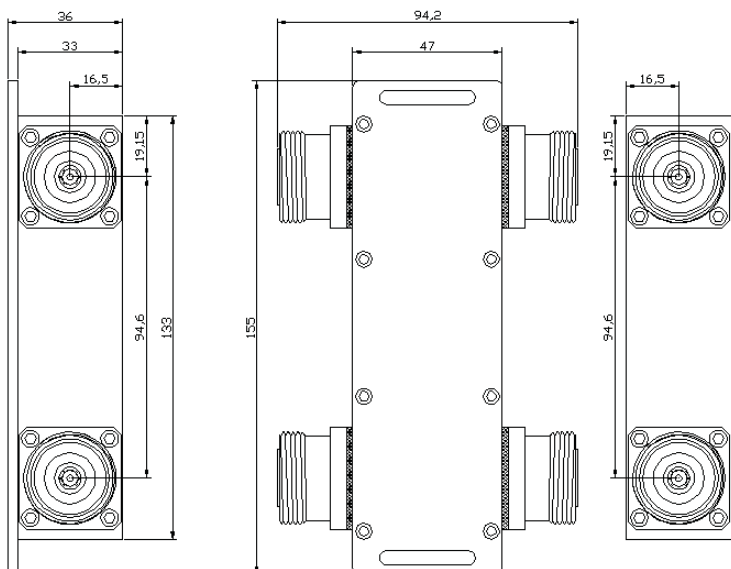


## HC-3HN22-DF-CC

3 dB Hybrid Coupler | 698-3800 MHz | 2 in 2 out | DIN Female | Indoor



Electrical Characteristics	
Frequency Range	698-3800 MHz
Insertion Loss	$\leq 3.1 \pm 0.6$ dB
Isolation	$\geq 25$ dB
In-Band Ripple	$\pm 0.6$ dB
PIM3 (2x43dBm)	$< -150$ dBc
VSWR	$\leq 1.25$
Power Rating	500 W
Impedance	50 $\Omega$
Mechanical Characteristics	
Connectors	7/16-DIN Female
Dimensions without Connectors	157 x 47 x 36 mm
Environmental Characteristics	
Operating Temperature	-40° C to +65° C
Operating Humidity	$\leq 95\%$
Operating Air Pressure	70-106 kpa
Mounting Characteristics	
Wall Mount	



Quoted performance parameters are provided to offer typical, peak or range values only and may vary as a result of normal testing, manufacturing and operational conditions. Extreme operational conditions and/or stress on structural supports is beyond our control. Such conditions may result in damage to this product. Improvements to products may be made without notice.