

4

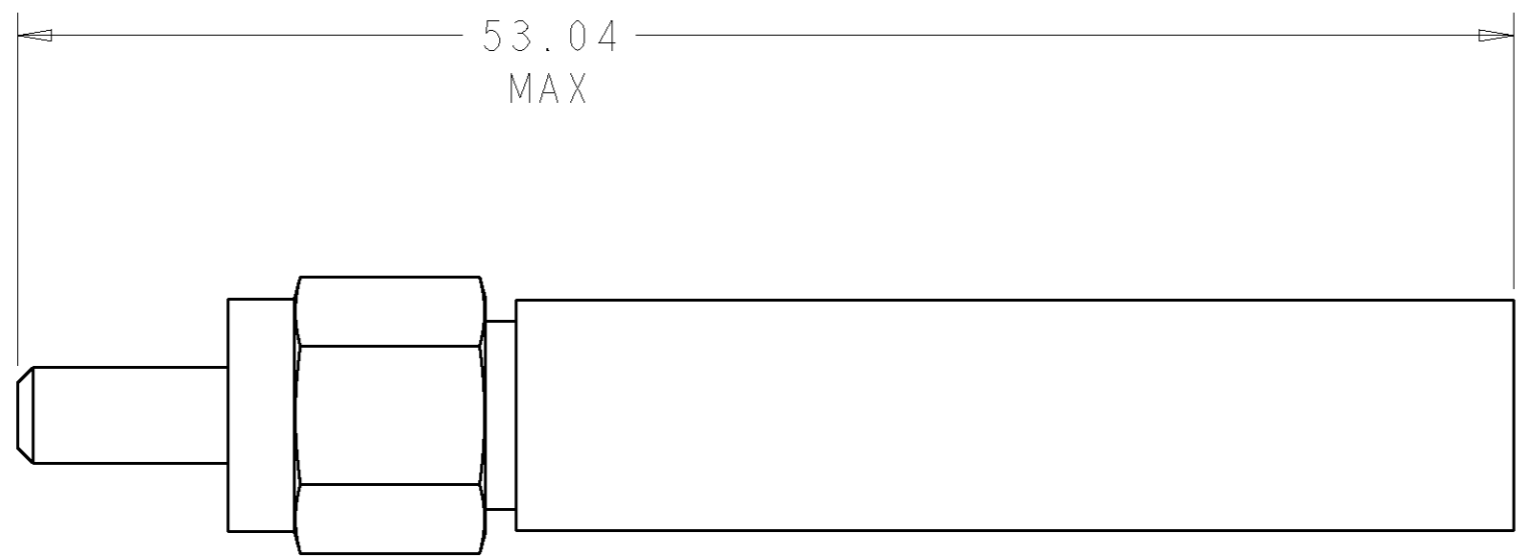
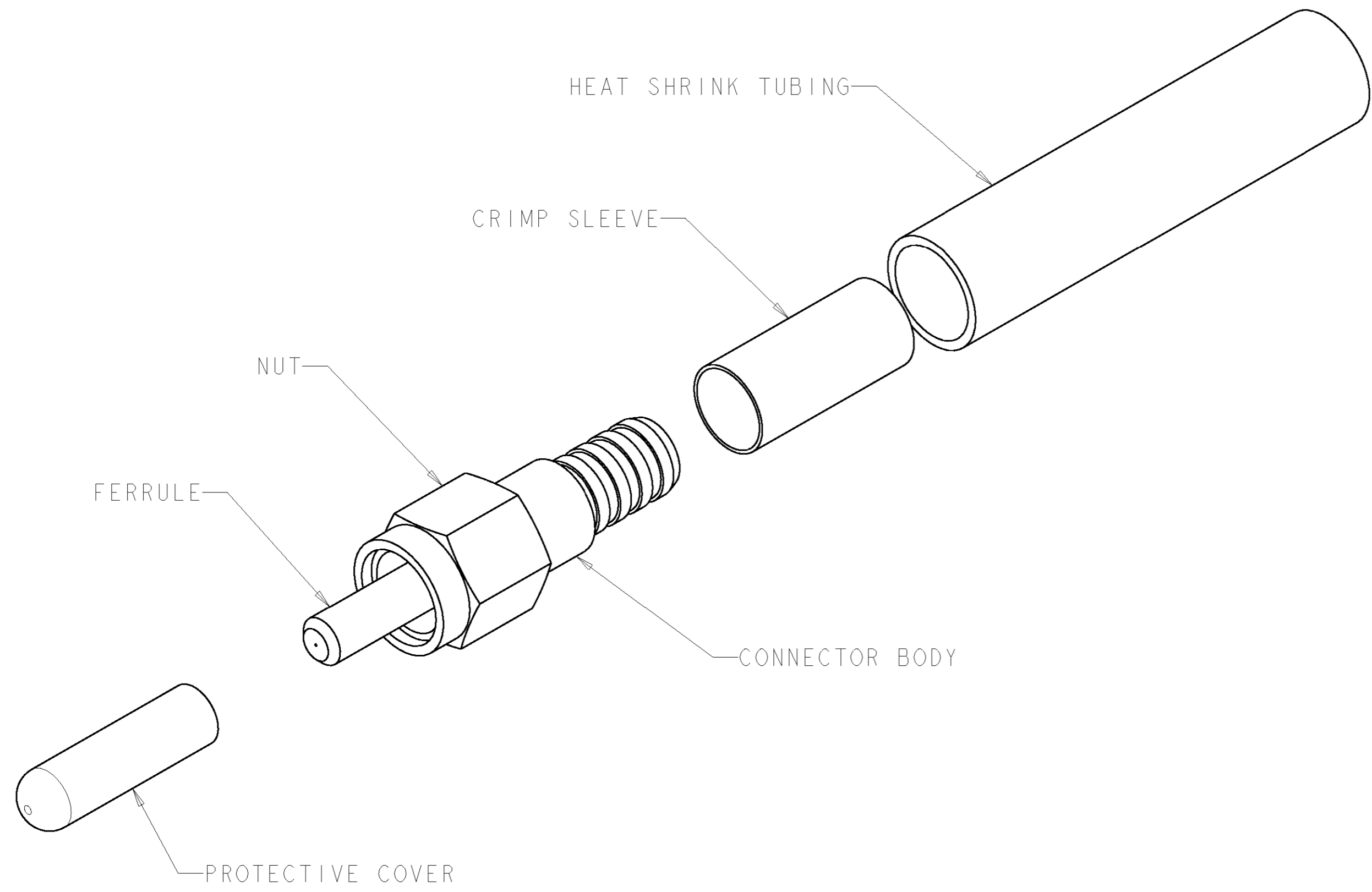
3

2

1

THIS DRAWING IS UNPUBLISHED. RELEASED FOR PUBLICATION 20  
 © COPYRIGHT 20 BY TYCO ELECTRONICS CORPORATION. ALL RIGHTS RESERVED.

LOC	DIST	REVISIONS					
CE	00	P	LTR	DESCRIPTION	DATE	DWN	APVD
			J	REVISE PER ECR-05-003184 AND 0A00-0148-05	15JUN2005	BB	LS
			-	-	-	-	-



- 1 MATERIAL:  
 FERRULE: STAINLESS STEEL  
 CONNECTOR BODY: NICKEL PLATED COPPER ALLOY  
 NUT: NICKEL PLATED COPPER ALLOY  
 CRIMP SLEEVE: NICKEL PLATED COPPER ALLOY  
 HEAT SHRINK TUBING: POLYOLEFIN, COLOR: BLACK  
 PROTECTIVE COVER: VINYL, COLOR: RED
- 2 BULK PACKAGED.
3. COUPLING NUT NORMAL TIGHTENING. TORQUE RANGE IS 7.0 TO 10.0 in-lbf. DO NOT EXCEED 20 in-lbf.

.042 in	2-504568-9
.039 in	2-504568-8
125um	504568-1
FIBER HOLE SIZE	PART NUMBER

<small>THIS DRAWING IS A CONTROLLED DOCUMENT FOR TYCO ELECTRONICS CORPORATION. IT IS SUBJECT TO CHANGE AND THE CONTROLLING ENGINEERING ORGANIZATION SHOULD BE CONTACTED FOR THE LATEST REVISION.</small>		DWN B. BRIGGS 13JUN2005 CHK L. SAUERWEIN 13JUN2005 APVD S. RUCHTER 13JUN2005	<b>tyco</b> Electronics Tyco Electronics Harrisburg, PA 17105-3608
DIMENSIONS: mm 	TOLERANCES UNLESS OTHERWISE SPECIFIED: 0 PLC ± 1 PLC ± 2 PLC ± 3 PLC ± 4 PLC ± ANGLES ± FINISH	PRODUCT SPEC - APPLICATION SPEC - WEIGHT -	NAME CONNECTOR KIT, SMA 905, STAINLESS STEEL FRONT BODY, BRASS REAR BODY, 5.3mm CABLE SIZE A2 CAGE CODE 00779 DRAWING NO. C-504568 RESTRICTED TO -
MATERIAL  -		CUSTOMER DRAWING SCALE 4:1 SHEET OF 1 REV J	