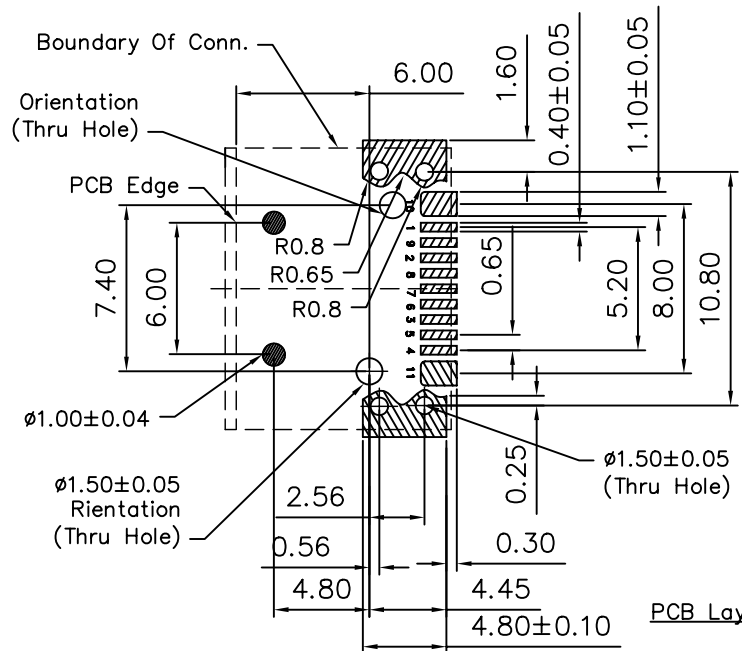
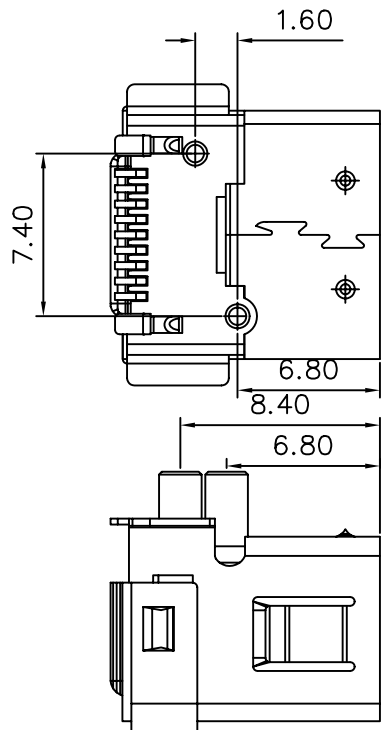
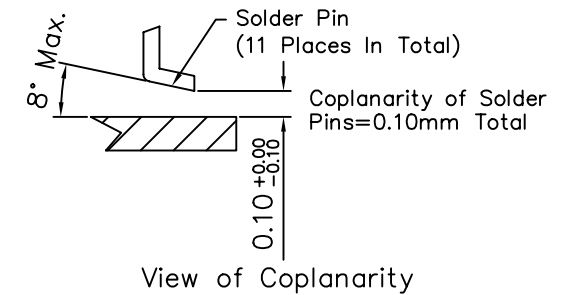
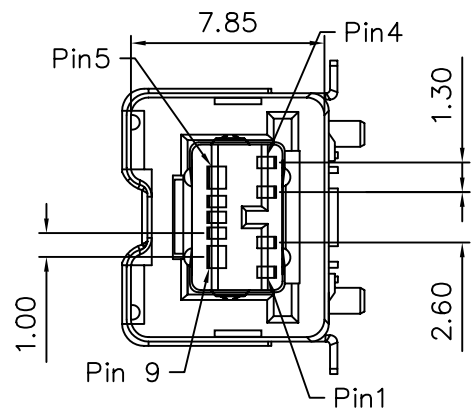
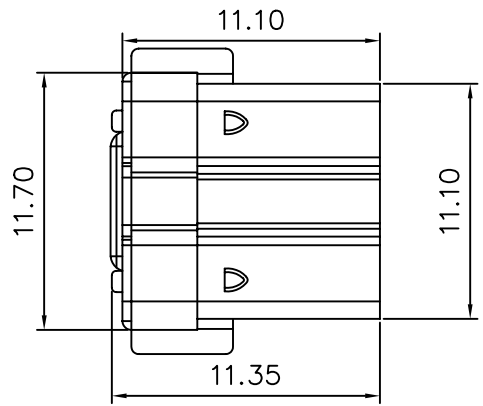
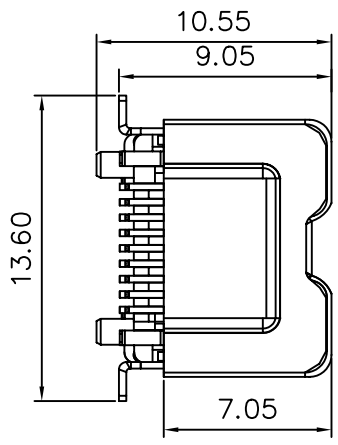


SPECIFICATIONS
 Housing: PA 6T 15%G.F ,UL 94V-0
 Contact: C5210R-H
 Shell: Brass
 Voltage: 30V
 Current: 1.5A
 Contact Resistance: 50 Milliohms Max.
 Shell Resistance: 50 Milliohms
 Insulation Resistance: 100Megohms Min.
 Dielectric Withstand: 100V DC
 Temperature Range:
 Operating: -40°C ~ +85°C
 Storage: -40°C ~ +105°C



PCB Layout



AUK A NUMBER OF AUK GROUP
太聯事業股份有限公司
 AUK CONTRACTORS CO., LTD.

DRAWING No. FW09BSW

APPROVED BY MEI
 CHECKED BY BECKY
 DRAWING BY HZF

UNLESS OTHERWISE SPECIFIED TOLERANCES ARE
 .XX ± 0.15
 .XX ± 0.10
 .XXX ± 0.05

SCALE NONE REV. AO UNIT mm

NO.	REV.	NEW RELEASE	MEI
		REVISIONS	CHK
			DATE