

National Semiconductor is now part of
Texas Instruments.

Search <http://www.ti.com/> for the latest technical
information and details on our current products and services.

DS3680

Quad Negative Voltage Relay Driver

General Description

The DS3680 is a quad high voltage negative relay driver designed to operate over wide ranges of supply voltage, common-mode voltage, and ambient temperature, with 50 mA sink capability. These drivers are intended for switching the ground end of loads which are directly connected to the negative supply, such as in telephone relay systems.

Since there may be considerable noise and IR drop between logic ground and negative supply ground in many applications, these drivers are designed to operate with a high common-mode range ($\pm 20V$ referenced to negative supply ground). Each driver has a common-mode range separate from the other drivers in the package, which permits input signals from more than one element of the system.

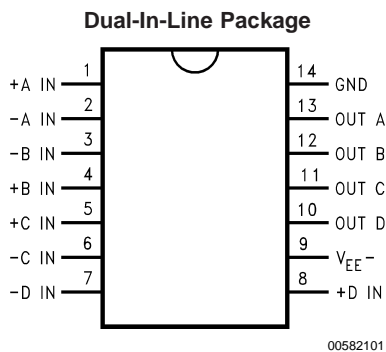
With low differential input current requirements (typically 100 μA), these drivers are compatible with TTL, LS and CMOS logic. Differential inputs permit either inverting or non-inverting operation.

The driver outputs incorporate transient suppression clamp networks, which eliminate the need for external networks when used in applications of switching inductive loads. A fail-safe feature is incorporated to ensure that, if the + IN input or both inputs are open, the driver will be OFF.

Features

- -10V to -60V operation
- Quad 50 mA sink capability
- TTL/LS/CMOS or voltage comparator input
- High input common-mode voltage range
- Very low input current
- Fail-safe disconnect feature
- Built-in output clamp diode

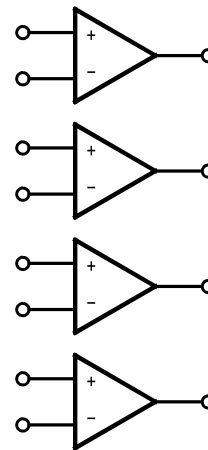
Connection Diagram



Top View

Order Number DS3680J, DS3680M or DS3680N
See NS Package Number J14A, M14A, N14A

Logic Diagram



Truth Table

Differential Inputs	Outputs
$V_{ID} \geq 2V$	On
$V_{ID} \leq 0.8V$	Off
Open	Off

Absolute Maximum Ratings (Note 1)

If Military/Aerospace specified devices are required, please contact the National Semiconductor Sales Office/Distributors for availability and specifications.

Supply Voltage (GND to V_{EE^-} , and Any Pin)	-70V
Positive Input Voltage (Input to GND)	20V
Negative Input Voltage (Input to V_{EE^-})	-5V
Differential Voltage (+ IN to - IN)	$\pm 20V$
Inductive Load	$L_L \leq 5h$
	$I_L \leq 50 \text{ mA}$
Output Current	-100 mA
Storage Temperature	-65°C to +150°C
Maximum Power Dissipation (Note 2) at 25°C	
Cavity Package	1433 mW
Molded Dip Package	1398 mW

SO Package

1002 mW

Lead Temperature (Soldering, 4 seconds)

260°C

Recommended Operating Conditions

	Min	Max	Units
Supply Voltage (GND to V_{EE^-})	-10	-60	V
Input Voltage (Input to GND)	-20	20	V
Logic ON Voltage (+IN)			
Referenced to -IN	2	20	V
Logic OFF Voltage (+IN)			
Referenced to -IN	-20	0.8	V
Temperature Range	-25	+85	°C

Electrical Characteristics (Notes 3, 4)

Symbol	Parameter	Conditions	Min	Typ	Max	Units
V_{IH}	Logic "1" Input Voltage		2.0	1.3		V
V_{IL}	Logic "0" Input Voltage			1.3	0.8	V
I_{INH}	Logic "1" Input Current	$V_{IN} = 2V$ $V_{IN} = 7V$		40 375	100 1000	μA
I_{INL}	Logic "0" Input Current	$V_{IN} = 0.4V$ $V_{IN} = -7V$		-0.01 -1	-5 -100	μA
V_{OL}	Output ON Voltage	$I_{OL} = 50 \text{ mA}$		-1.6	-2.1	V
I_{OFF}	Output Leakage	$V_{OUT} = V_{EE^-}$		-2	-100	μA
I_{FS}	Fail-Safe Output Leakage	$V_{OUT} = V_{EE^-}$ (Inputs Open)		-2	-100	μA
I_{LC}	Output Clamp Leakage Current	$V_{OUT} = GND$		2	100	μA
V_C	Output Clamp Voltage	$I_{CLAMP} = -50 \text{ mA}$ Referenced to V_{EE^-}		-2	-1.2	V
V_P	Positive Output Clamp Voltage	$I_{CLAMP} = 50 \text{ mA}$ Referenced to GND		0.9	1.2	V
$I_{EE(ON)}$	ON Supply Current	All Drivers ON		-2	-4.4	mA
$I_{EE(OFF)}$	OFF Supply Current	All Drivers OFF		-1	-100	μA
$t_{PD(ON)}$	Propagation Delay to Driver ON	$L = 1h, R_L = 1k,$ $V_{IN} = 3V \text{ Pulse}$		1	10	μs
$t_{PD(OFF)}$	Propagation Delay to Driver OF	$L = 1h, R_L = 1k,$ $V_{IN} = 3V \text{ Pulse}$		1	10	μs

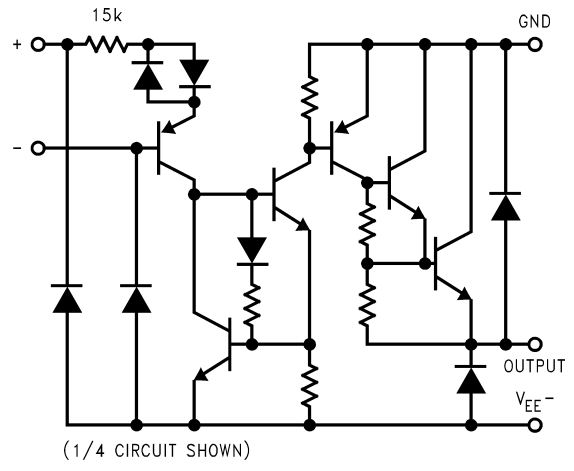
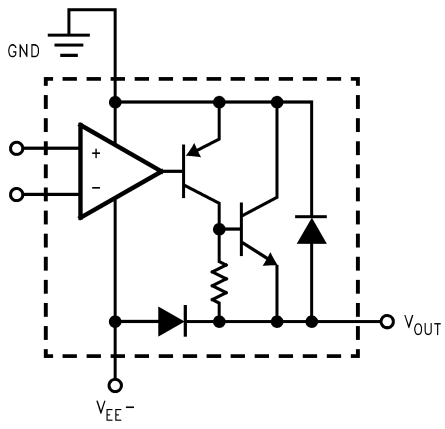
Note 1: "Absolute Maximum Ratings" are those values beyond which the safety of the device cannot be guaranteed. Except for "Operating Temperature Range", they are not meant to imply that the device should be operated at these limits. The table of "Electrical Characteristics" provides conditions for actual device operation.

Note 2: Derate cavity package 9.6 mW/°C above 25°C, derate molded dip package 11.2 mW/°C above 25°C, derate SO package 8.02 mW/°C above 25°C.

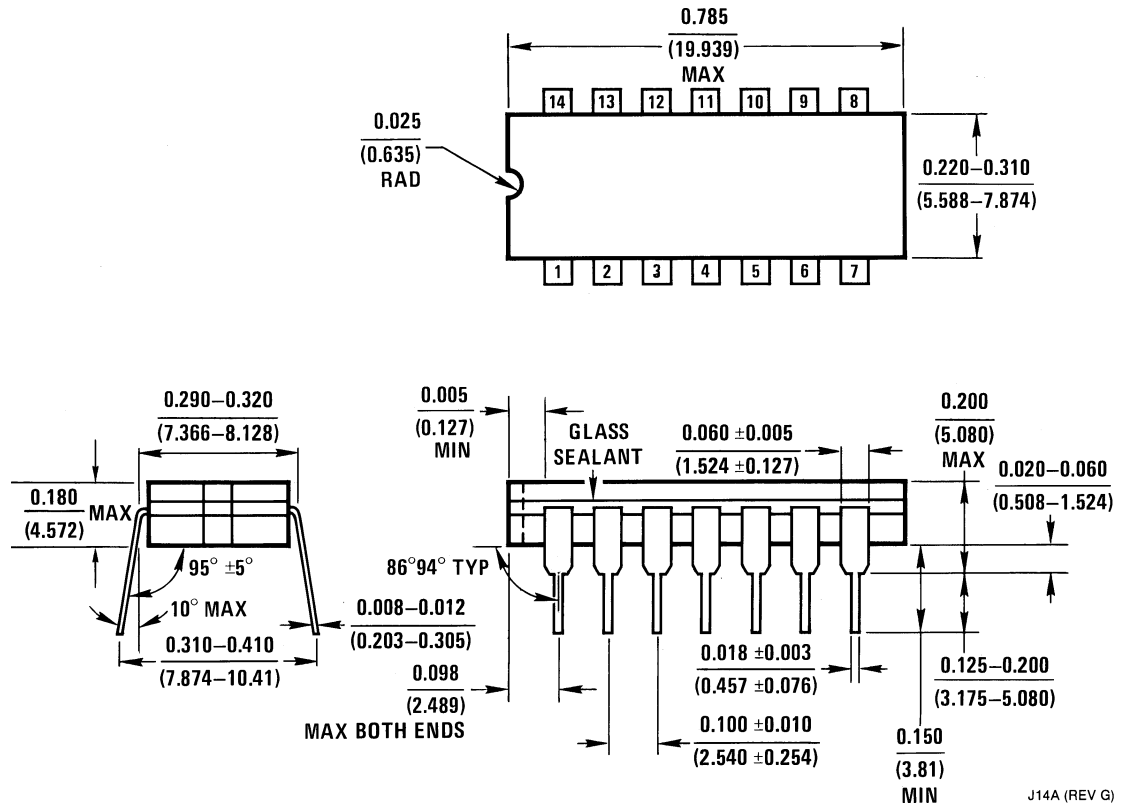
Note 3: Unless otherwise specified, the min/max limits of the table of "Electrical Characteristics" apply within the range of the table of "Operating Conditions". All typical values are given for $V_{EE^-} = 52V$, and $T_A = 25^\circ C$.

Note 4: All currents into device pins shown as positive, out of the device as negative. All voltages are referenced to ground unless otherwise noted.

Schematic Diagrams



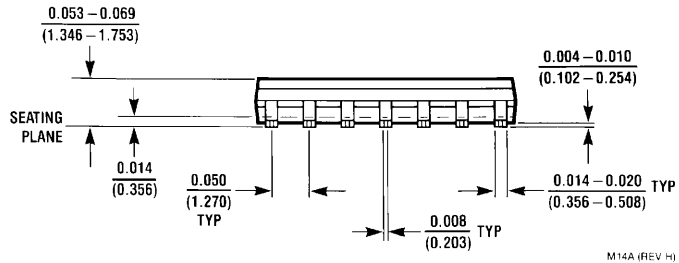
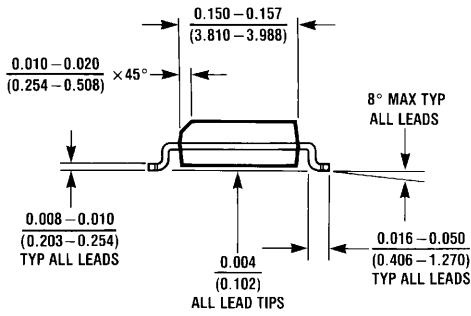
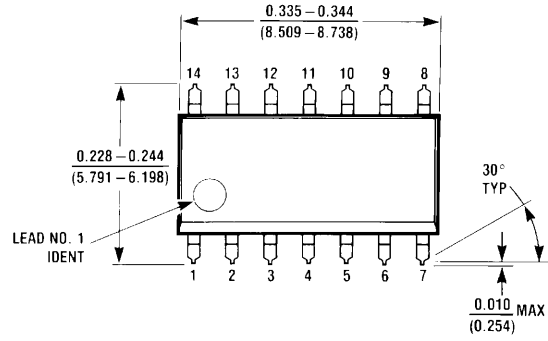
Physical Dimensions inches (millimeters) unless otherwise noted



Ceramic Dual-In-Line Package (J)
Order Number DS3680J
NS Package Number J14A

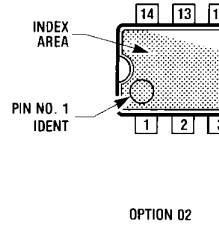
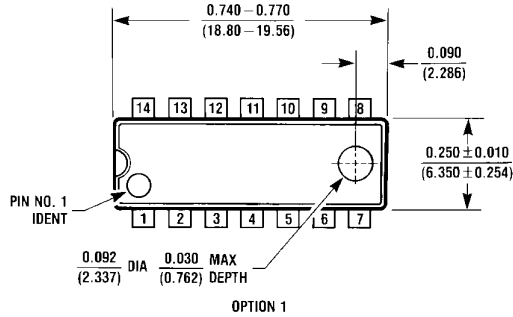
J14A (REV G)

Physical Dimensions inches (millimeters) unless otherwise noted (Continued)



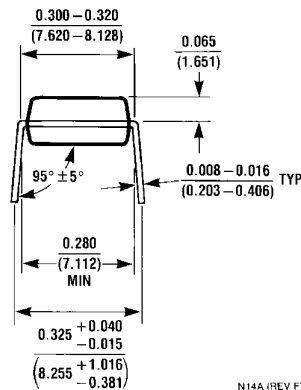
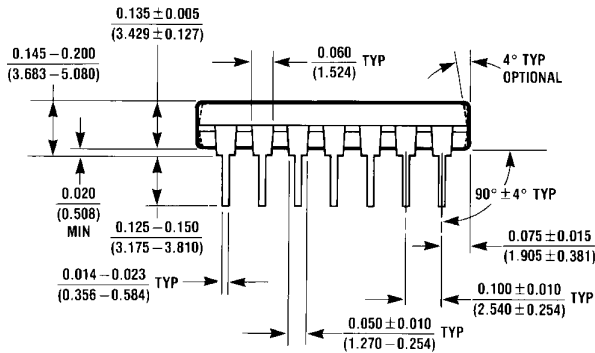
M14A (REV H)

SO Package (M)
Order Number DS3680M
NS Package Number M14A



OPTION 1

OPTION 02



N14A (REV F)

Molded Dual-In-Line Package (N)
Order Number DS3680N
NS Package Number N14A

Notes

LIFE SUPPORT POLICY

NATIONAL'S PRODUCTS ARE NOT AUTHORIZED FOR USE AS CRITICAL COMPONENTS IN LIFE SUPPORT DEVICES OR SYSTEMS WITHOUT THE EXPRESS WRITTEN APPROVAL OF THE PRESIDENT AND GENERAL COUNSEL OF NATIONAL SEMICONDUCTOR CORPORATION. As used herein:

1. Life support devices or systems are devices or systems which, (a) are intended for surgical implant into the body, or (b) support or sustain life, and whose failure to perform when properly used in accordance with instructions for use provided in the labeling, can be reasonably expected to result in a significant injury to the user.
2. A critical component is any component of a life support device or system whose failure to perform can be reasonably expected to cause the failure of the life support device or system, or to affect its safety or effectiveness.



National Semiconductor Corporation
Americas
Email: support@nsc.com

www.national.com

National Semiconductor Europe

Fax: +49 (0) 180-530 85 86
Email: europe.support@nsc.com
Deutsch Tel: +49 (0) 69 9508 6208
English Tel: +44 (0) 870 24 0 2171
Français Tel: +33 (0) 1 41 91 8790

National Semiconductor Asia Pacific Customer Response Group

Tel: 65-2544466
Fax: 65-2504466
Email: ap.support@nsc.com

National Semiconductor Japan Ltd.

Tel: 81-3-5639-7560
Fax: 81-3-5639-7507

DS3680 Product Folder

Quad Negative Voltage Relay Driver

[General Description](#)

[Features](#)

[Datasheet](#)

[Package & Models](#)

[Samples & Pricing](#)

[Application Notes](#)

Parametric Table

Device Count	4
Input Logic Compatibility	CMOS/TTL
Latch-Up Voltage (Volt)	-60
Logic Function	-

Parametric Table

On Power Supply Current (mA)	4.40
Output Low Voltage (Volt)	-60
Output High Voltage (Volt)	-2.10
Output Low Current (mA)	-50
Propagation Delay, typ (ns)	10

Datasheet

Title	Size in Kbytes	Date	<input type="checkbox"/> View Online	<input type="checkbox"/> Download	<input type="checkbox"/> Receive via Email
DS3680 Quad Negative Voltage Relay Driver	102 Kbytes	13-Nov-01	View Online	Download	Receive via Email

If you have trouble printing or viewing PDF file(s), see [Printing Problems](#).

Package Availability, Models, Samples & Pricing

Part Number	Package			Status	Models		Samples & Electronic Orders	Budgetary Pricing		Std Pack Size	Package Marking
	Type	Pins	MSL		SPICE	IBIS		Qty	\$US each		
DS3680M	SOIC NARROW	14	MSL	Full production	N/A	N/A	<input type="button" value="Buy Now"/>	1K+	\$0.4200	rail of 55	[logo]cUcZc2cT DS3680M
DS3680MX	SOIC NARROW	14	MSL	Full production	N/A	N/A		1K+	\$0.4200	reel of 2500	[logo]cUcZc2cT DS3680M
DS3680N	MDIP	14	MSL	Full production	N/A	N/A	<input type="button" value="Buy Now"/>	1K+	\$0.5800	rail of 25	[logo]cUcZc3cT DS3680N
DS3680 MDC	Die			Full production	N/A	N/A	<input type="button" value="Samples"/>			tray of N/A	-

DS3680 MWC	Wafer	Full production	N/A	N/A				wafer jar of N/A	-
------------	-----------------------	-----------------	-----	-----	--	--	--	------------------	---

General Description

The DS3680 is a quad high voltage negative relay driver designed to operate over wide ranges of supply voltage, common-mode voltage, and ambient temperature, with 50 mA sink capability. These drivers are intended for switching the ground end of loads which are directly connected to the negative supply, such as in telephone relay systems.

Since there may be considerable noise and IR drop between logic ground and negative supply ground in many applications, these drivers are designed to operate with a high common-mode range ($\pm 20V$ referenced to negative supply ground). Each driver has a common-mode range separate from the other drivers in the package, which permits input signals from more than one element of the system.

With low differential input current requirements (typically 100 μA), these drivers are compatible with TTL, LS and CMOS logic. Differential inputs permit either inverting or non-inverting operation.

The driver outputs incorporate transient suppression clamp networks, which eliminate the need for external networks when used in applications of switching inductive loads. A fail-safe feature is incorporated to ensure that, if the + IN input or both inputs are open, the driver will be OFF.

Features

- -10V to -60V operation
- Quad 50 mA sink capability
- TTL/LS/CMOS or voltage comparator input
- High input common-mode voltage range
- Very low input current
- Fail-safe disconnect feature
- Built-in output clamp diode

Application Notes

Title	Size in Kbytes	Date	<input type="checkbox"/> View Online	<input type="checkbox"/> Download	<input type="checkbox"/> Receive via Email
AN-213: Safe Operating Areas for Peripheral Drivers	190 Kbytes	4-Nov-95	View Online	Download	Receive via Email

If you have trouble printing or viewing PDF file(s), see [Printing Problems](#).

[Information as of 5-Aug-2002]

Search	Design	Purchasing	Quality	Company	Home
---------------	------------------------	----------------------------	-------------------------	-------------------------	----------------------

[About Languages](#) . [Website Guide](#) . [About "Cookies"](#) . National is [QS 9000 Certified](#) . [Privacy/Security Statement](#) . [Contact Us](#) . [Site Terms & Conditions of Use](#) . Copyright 2002 © National Semiconductor Corporation . [My Preferences](#) . [Feedback](#)