

### MATERIAL AND FINISH

Insulator: PBT, UL-94V-0 rated, color (see ordering code)  
 Shell: Brass, Tin plated  
 Contacts: Phosphor Bronze, Gold (see chart) on mating end, Tin/Lead on termination end all over Nickel plated

### MECHANICAL SPECIFICATIONS:

Durability: 1500 cycles at 15 to 20 cycles per minute  
 Insertion force: 35 N max.  
 Withdrawal force: 10 N max.

### ELECTRICAL SPECIFICATIONS:

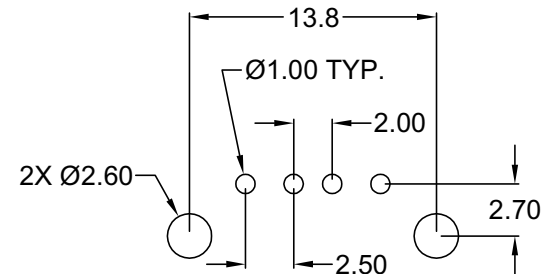
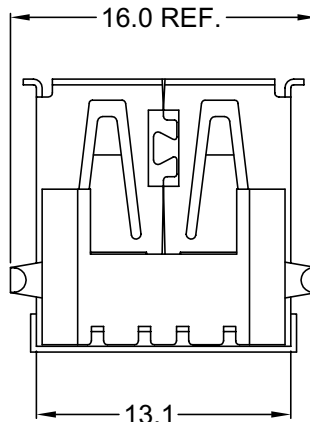
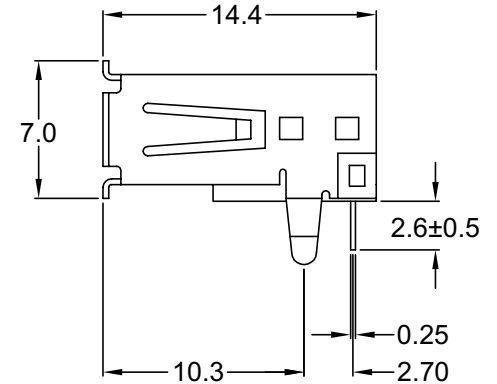
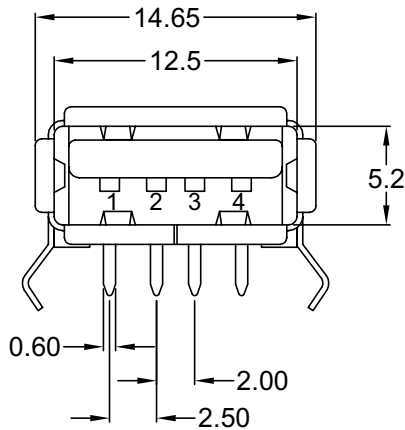
Rated current: 1 A max.  
 Rated voltage: 250 VAC max.  
 Insulation resistance: 100 Mohm min. at 500 VDC  
 Dielectric withstanding voltage: 250 VAC for one minute  
 Contact resistance: 30 mohm max.  
 Contact capacitance: 2 pF max.

### ENVIRONMENTAL:

Operating temperature: -40°C to +85°C

### SOLDERABILITY:

Solder time: 5 sec.±0.5 sec.  
 Solder temp: 245°C±5°C



RECOMMENDED  
PCB LAYOUT (TOP VIEW)

### ORDERING CODE:

USB-FA1RP 1 2

### 1) INSULATOR COLOR

- 1 = BEIGE
- 2 = BLACK
- 3 = WHITE

### 2) PLATING SEE CHART

P/N	PLATING
USB-FA1RPX1	GOLD FLASH
USB-FA1RPX2	10µ"
USB-FA1RPX3	15µ"
USB-FA1RPX4	30µ"

TOLERANCE UNLESS OTHERWISE SPECIFIED	
X	± 1
X.X	± 0.4
X.XX	± 0.20

DRAWN BY	GQ	DATE:	06/21/02
CHECK BY	TD	DATE:	07/02/02
APPR BY	PB	DATE:	07/02/02

**Power Dynamics, Inc.**  
 Phone: 973 560-0019 Whippany, New Jersey Fax: 973 560-0076

PART: USB CONNECTOR, 'A' TYPE, FEMALE 90°,  
1 PORT, PCB PINS

**USB-FA1RPXX**

PART #: **USB-FA1RPXX** SHEET 1 of 1

SIZE: A ALL DIMENSIONS FOR REFERENCE ONLY  
 SCALE: NTS DIMENSIONS ARE IN MILLIMETERS REV:

REV	DATE	CHANGE	CHKG	CHKD	APPR

MATERIAL AND FINISH

Insulator: PBT, UL-94V-0 rated, color (see ordering code)  
Shell: Brass, Tin plated  
Contacts: Phosphor Bronze, Gold (see chart) on mating end, Tin/Lead on termination end all over Nickel plated

MECHANICAL SPECIFICATIONS:

Durability: 1500 cycles at 15 to 20 cycles per minute  
Insertion force: 35 N max.  
Withdrawal force: 10 N max.

ELECTRICAL SPECIFICATIONS:

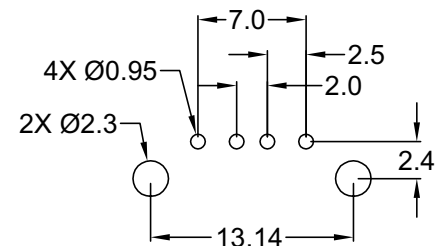
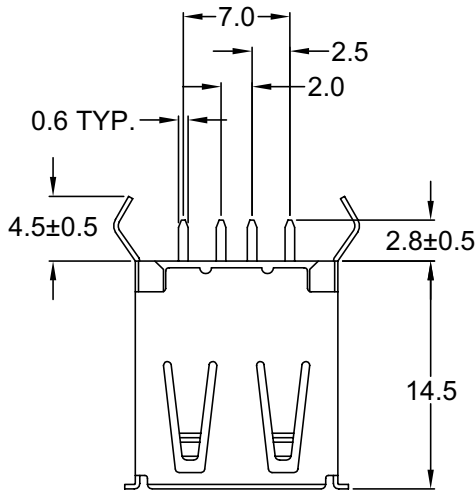
Rated current: 1.5 A max.  
Rated voltage: 250 VAC min.  
Insulation resistance: 1000 Mohm min. at 500 VDC  
Dielectric withstanding voltage: 750 VAC for one minute  
Contact resistance: 30 mohm max.  
Contact capacitance: 2 pf max.

ENVIRONMENTAL:

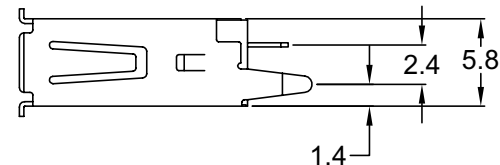
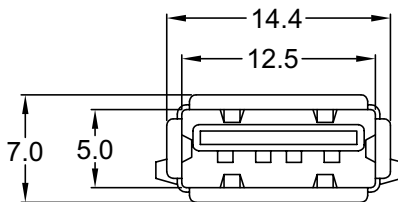
Operating temperature: -40°C to +85°C

SOLDERABILITY:

Solder time: 5 sec. ± 0.5 sec.  
Solder temp: 245°C ± 5°C



RECOMMENDED PCB LAYOUT



ORDERING CODE:

USB-FA1SP 1 2

1) INSULATOR COLOR

- 1 = BEIGE
- 2 = BLACK
- 3 = WHITE

2) PLATING

SEE CHART

P/N	PLATING
USB-FA1SPX1	GOLD FLASH
USB-FA1SPX2	10µ"
USB-FA1SPX3	15µ"
USB-FA1SPX4	30µ"

TOLERANCE UNLESS OTHERWISE SPECIFIED	
X	± 1
X.X	± 0.4
X.XX	± 0.20

**Power Dynamics, Inc.**

Phone: 973 560-0019 Whippany, New Jersey Fax: 973 560-0076

PART: USB CONNECTOR; 'A' TYPE, FEMALE 180°C  
1 PORT; PCB MOUNT

DRAWN BY	GQ	DATE:	06/25/02
CHECK BY	TD	DATE:	06/26/02
APPR BY	PB	DATE:	06/26/02

PART #: USB-FA1SPXX		SHEET 1 of 1
SIZE: A	ALL DIMENSIONS FOR REFERENCE ONLY DIMENSIONS ARE IN MILLIMETERS	REV:
SCALE: NTS		

REV	DATE	CHANGE	CHKG	CHKD	APPR