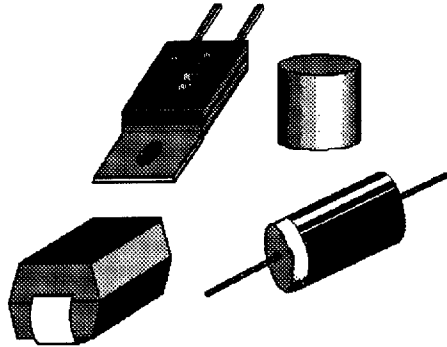


100 to 230 Volt "TransTector" (Bi-Directional Surge Protector)

2/94

Description

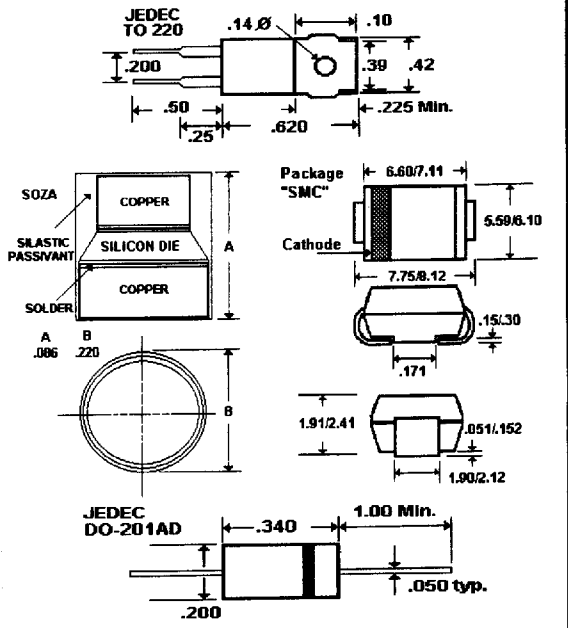
TTA SERIES



For Package Designation
Use suffix as described below

TO220 Suffix = T
Soza Suffix = Z
DO201 Suffix = D
SMC Suffix = S
Example:- The TTA130 in SMD = TTA130S

Mechanical Dimensions



Features

- 100 AMP Surge Capability
- 130 mA Holding Current
- Low Capacitance
- High Ibo (Max. 300mA)
- Offered in TO220, DO201. SMC & Rugged SOZA Construction

