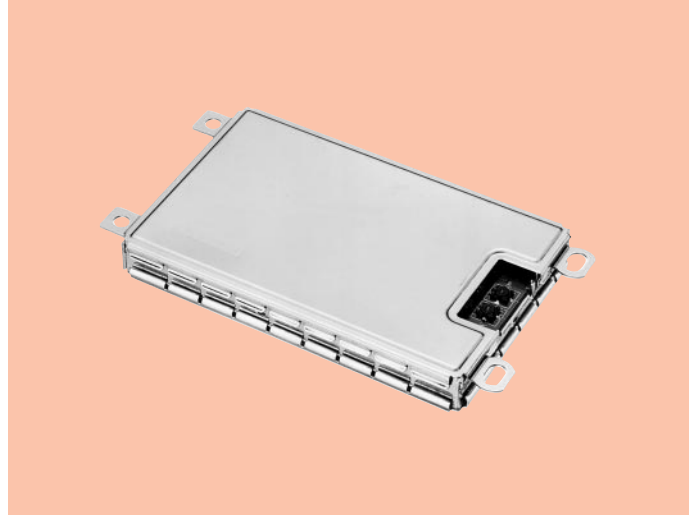


SS-LAN High Frequency Unit DRT-J001

Telecommunication component

OUTLINE

High frequency unit that realizes wireless data transfer of 1M and 2Mbps by direct spectrum scattering.



FEATURES

1. Supports Japanese standard RCR STD-33.
2. Supports North American FCC standard CFR47, Part 15, Section 15.205.
3. With built-in modulator-demodulator, a system can be built easily in combination with a microcomputer.
4. Good maintainability due to connector and screw mounting.
5. Supports IEEE 802.11.
6. A diversity supporting model also is available, compatible with mobile equipment.
7. Low power operation. (Power supply : +5V single)

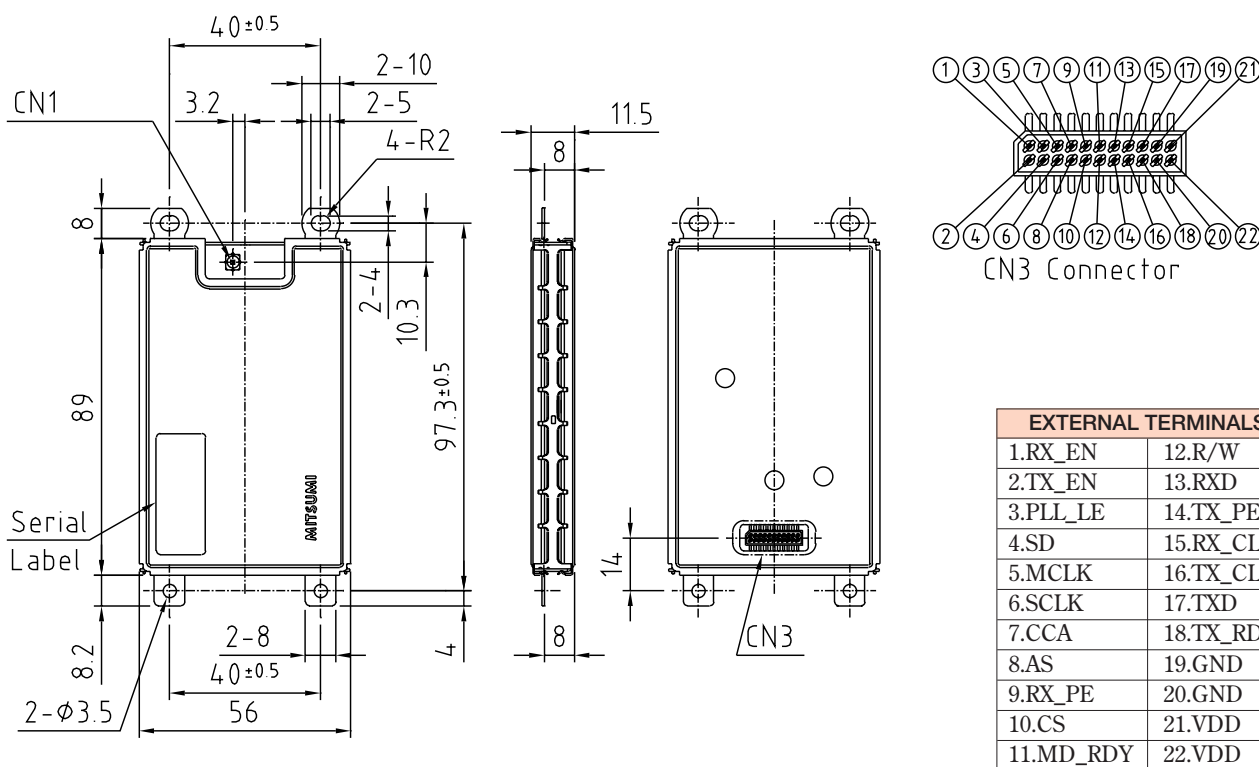
USES

Wireless LAN.

SPECIFICATIONS

Item	Specifications
Carrier Power	10mW/MHz
Reference Sensitivity	-86dBm typ. (DBPSK)
Spread Spectrum	Direct Spread Spectrum
Modulation	DQPSK/DBPSK
Transfer Speed	2Mbps (DQPSK)/1Mbps (DBPSK)
Chip Rate	11MCPS
Current Consumption (Tx)	500mA typ. (When continue to transmit)
Current Consumption (Rx)	270mA typ. (When continue to receive)
Operating Temperature Range	-10°C~+60°C
Storage Temperature Range	-20°C~+70°C

DIMENSIONS



S=1/2

Unit : mm
Tolerance : ±0.3mm