



YH1460/1461 Series OCXO

10 MHz – 100 MHz

(Rev E)

GREENRAY INDUSTRIES, INC.

PRECISION QUARTZ TECHNOLOGY

Miniature Package
Excellent Stability

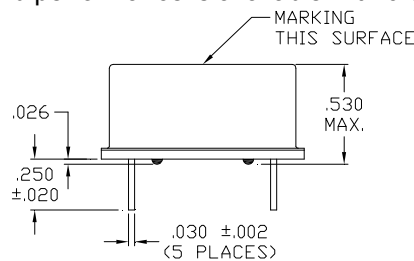
SPECIFICATIONS

Frequency	10.0 MHz to 100.0 MHz				
Output	YH1460 - Sinewave, +7dBm \pm 2dBm into 50 ohms YH1461 - Squarewave, CMOS				
Harmonics	-20dBc (Sinewave version)				
Temp Stability		10MHz		100MHz	
	Temp Range	Tolerance	Option	Tolerance	Option
	0 to +50°C	$\pm 1 \times 10^{-8}$	B18	$\pm 5 \times 10^{-8}$	B58
	-10 to +60°C	$\pm 1 \times 10^{-9}$	G18	$\pm 7 \times 10^{-8}$	G78
	-20 to +70°C	$\pm 1 \times 10^{-8}$	N18	$\pm 1 \times 10^{-7}$	N17
	-40 to +85°C	$\pm 2 \times 10^{-8}$	T28	$\pm 3 \times 10^{-7}$	T37
Freq vs. Supply	$\pm 1 \times 10^{-9}$ for a 5% change				
Aging	± 0.1 ppM/year (10MHz); ± 0.5 ppM/year (100MHz)				
Input Voltage	available in +15, +12, +5, & +3.3VDC				
	(Note – specs are degraded for the +3.3V supply. Available temp out to -20 to +70°C)				
Input Power	Warmup - <5W for 5 minutes; Idle – 1.5W typ @ +25°C				
Phase Noise	Offset	dBc/Hz (10MHz)	dBc/Hz (100MHz)		
(typical)	10 Hz	-125	-90		
	100 Hz	-145	-120		
	1 kHz	-155	-145		
	10 kHz	-160	-155		
	100 kHz	-160	-158		
Frequency Adjust	± 1.0 ppM typ for 10MHz, ± 2.0 ppM typ for 100MHz, positive slope 0 to +3.3V or +5.0V EFC				

Package - see outline. Improved shock and vib performance is available with 0.6" max height (option HS);
The standard height option is "STD".

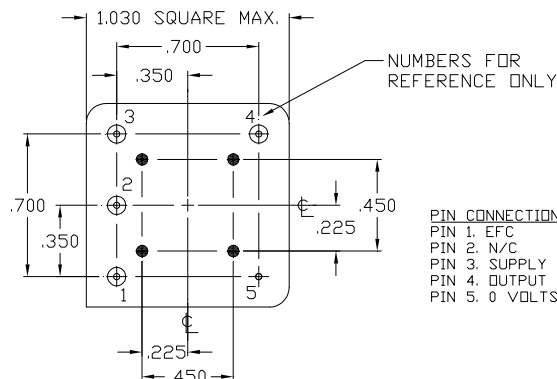
Ordering Example:

YH1460-N18-5-STD-10.0MHz
(Model-Stability-Input V-Height-Freq)



Pin Connections

- 1 - EFC
- 2 - N/C
- 3 - Supply V
- 4 - Output
- 5 - 0V / Gnd



PIN CONNECTIONS:
PIN 1. EFC
PIN 2. N/C
PIN 3. SUPPLY VOLTAGE
PIN 4. OUTPUT
PIN 5. 0 VOLTS AND CASE GND

840 West Church Rd., Mechanicsburg, PA 17055

Tel: 717-766-0223 Fax: 717-790-9509

www.greenrayindustries.com email: sales@greenrayindustries.com