

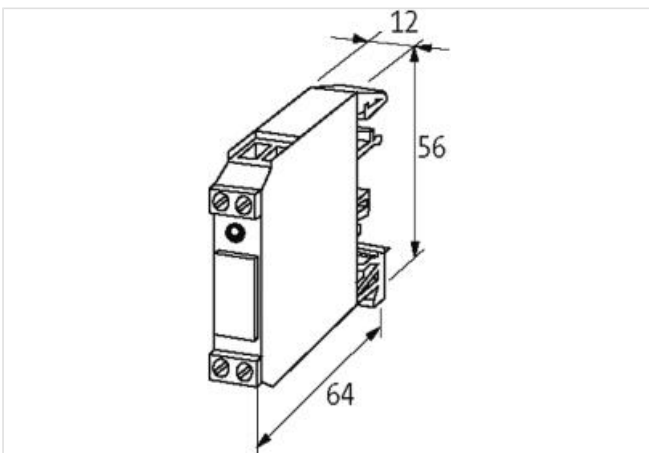
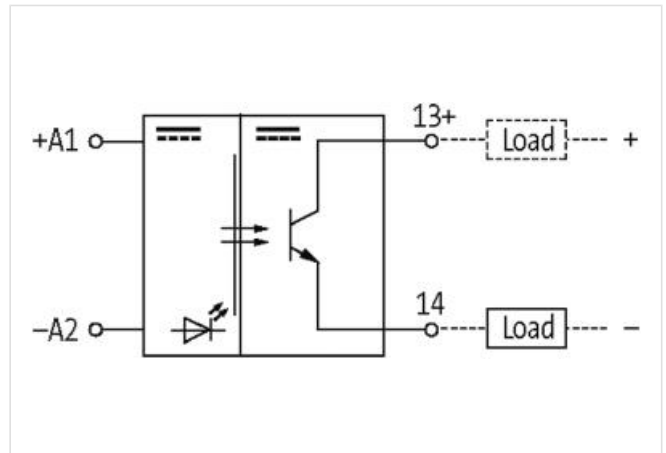
AMMS 10-14/1 OPTO-COUPLER MODULE

IN: 5,5 VDC - OUT: 53 VDC / 1,2 A

Transistor 1.2 A
3.5...5.5 V DC

[Link to Product](#)

Illustration



Product may differ from Image



Commercial data

ECLASS-6.0	27371604
ECLASS-6.1	27371604
ECLASS-7.0	27371604
ECLASS-8.0	27371604
ECLASS-9.0	27371604
ECLASS-10.1	27371604
ECLASS-11.1	27371604
ECLASS-12.0	27371604

The information in this Product-PDF has been compiled with the utmost care.

Liability for the correctness completeness and topicality of the information is restricted to gross negligence. Version: 2023-11-28

Murrelektronik GmbH | Falkenstr. 3 | 71570 Oppenweiler | Fon +49 (71 91) 47-0 | Fax +49 (71 91) 47-491000 | shop@murrelektronik.com | shop.murrelektronik.com

ETIM-5.0	EC001504
customs tariff number	85414900
GTIN	4048879028042
Packaging unit	1
Electrical data Input	
Input voltage OFF DC min.	0 V
Input voltage OFF DC max.	0,8 V
Input voltage DC min.	3,5 V
Input voltage DC max.	5,5 V
Input current	6 mA
Electrical data Output	
Switch off delay max.	700 µs
Quiescent current OFF max.	0,3 mA
Switching frequency inductive max.	30 Hz
Switching frequency ohmic max.	500 Hz
Voltage switching DC min.	4,5 V
Switching voltage DC max.	53 V
Current switching min.	1 mA
Switching current max.	1,2 A
Voltage drop DC max.	1,2 V
Diagnostics	
Status indication LED	red
Device protection Electrical	
Rated insulation voltage	3750 V
Device protection Media	
Flame resistance	flame retardant
Mechanical data Material data	
Color housing	black
Material housing	Plastic
Mechanical data Mounting data	
Mounting method	geschnappt
Suitable for mounting type	Mounting rail TH35, G32, (EN 60715)
Height	56 mm
Width	12 mm
Depth	64 mm
Environmental characteristics Climatic	
Operating temperature min.	-20 °C
Operating temperature max.	60 °C
Connection type 2	
Connection type 1	Input
Connection type 2	Output
Connection	Screw terminals SK
Family construction form	terminal
Gender	female
No. of poles	2
PIN 1	+ A 1
PIN 2	- A 2
Connection	Screw terminals SK
Family construction form	terminal
Gender	female
No. of poles	2

PIN 1	14
PIN 2	+ 13
