

# COAXIAL CONNECTOR



Miniature SMT FSC Type

**Miniature, Low profile, 3mm height, SMD.  
Right angle type receptacle available.**

**FEATURES**

1. High engagement with new structure (50% up compared with ESC type).
2. Ultra-miniature (L×W×H : 3.4×3.4×1.5mm) for High density mounting (11.6mm<sup>2</sup>).
3. Ultra-low profile (3.0mm Max.).
4. High performance. (VSWR 1.2max. at 2GHz).
5. Matched with ultra-thin FEP coaxial cables (0.8mm dia).
6. Mountable by automatic plaser.
7. Taping package applicable.
8. SMD and reflow soldering applicable.

**APPLICATIONS**

Portable telephone, mobile telephone, cordless telephones, GPS, and other microwave radio and measurement equipment.

**PART NUMBER**

● Straight receptacle for printed circuit board.

Part Number	Packaging	Quantity
MM7329-2700	Bulk package	Free
MM7329-2700TB1	178mm Dia. Taping	1000pcs/reel
MM7329-2700TB2	330mm Dia. Taping	4000pcs/reel

● Right angle receptacle for printed circuit board.

Part Number	Packaging	Quantity
MM7329-2702	Bulk package	Free
MM7329-2702TB1	178mm Dia. Taping	500pcs/reel
MM7329-2702TB2	330mm Dia. Taping	2000pcs/reel

● Right angle cable assembly with flexible cable.

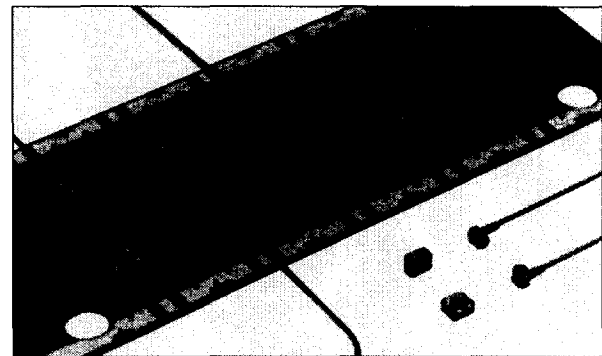
MXFK81□□□□□□  
MXFG76□□□□□□

● SMA-FSC adapter for receptacle.

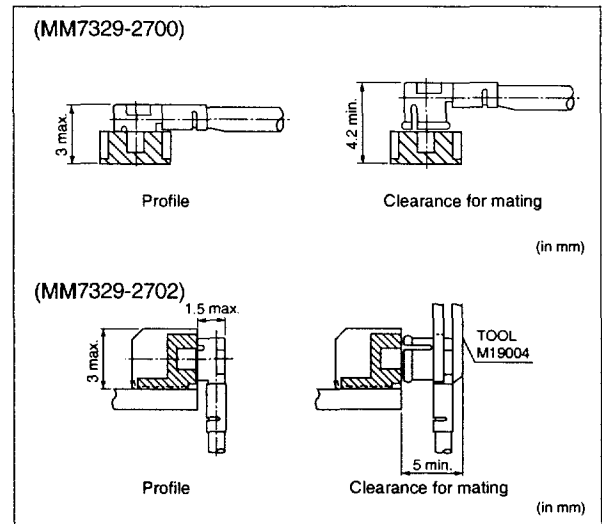
MM121454

● SMA-FSC adapter for cable assembly.

MM121460

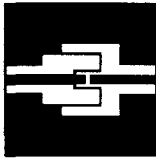


**DIMENSIONS**



**RATING AND CHARACTERISTICS**

Item	Specification
Frequency Range	DC to 3GHz
VSWR	1.2Max. (DC to 2GHz) 1.3Max. (2GHz to 3GHz)
Nominal Impedance	50Ω
Temperature Range	-40°C to +90°C
Voltage Rating	250Vrms
Contact Resistance	15mΩ Max.
Withstanding Voltage	AC300Vrms
Insulation Resistance	500MΩ Min.
Durability	50cycles

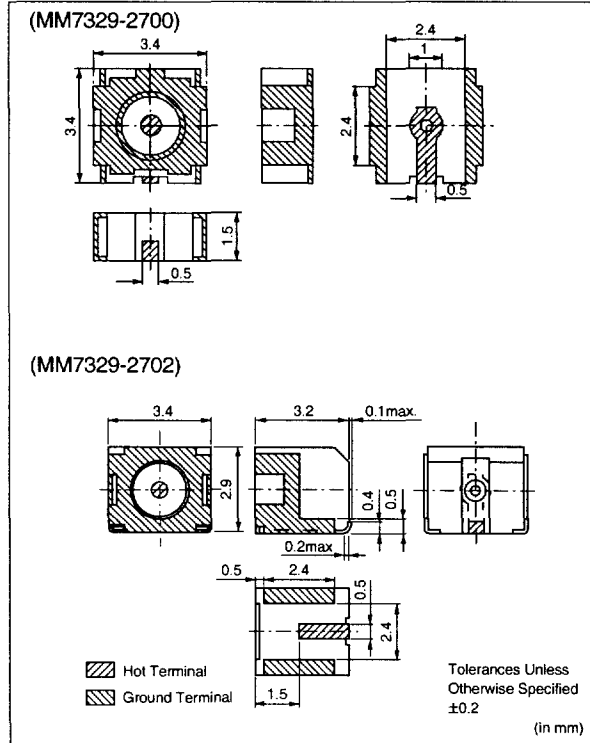


# COAXIAL CONNECTOR

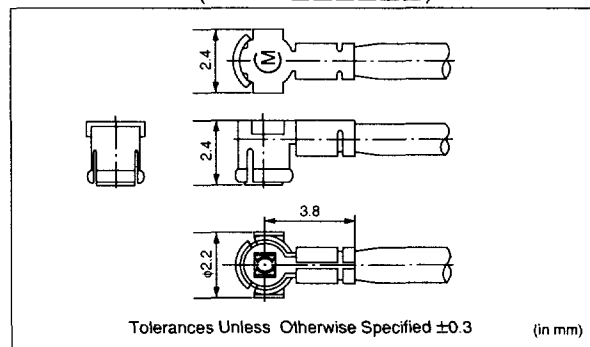


## Miniature SMT FSC Type

### ■ DIMENSIONS (MM7329-2700)



### ■ DIMENSIONS (MXFK81□□□□□□)



### ■ MATERIALS AND FINISH

#### ● MM7329-2700/MM7329-2702

Part Name	Materials	Finish
Center Contact	Copper Alloy	Gold plated
Outer Contact	Copper Alloy	Gold plated
Insulator	Engineering plastic	None

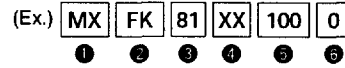
#### ● MXFK81□□□□□□

#### MXFG76□□□□□□

Part Name	Materials	Finish
Center Contact	Copper Alloy	Gold plated
Outer Contact	Copper Alloy	Gold plated
Insulator	Engineering plastic	None

### ■ PART NUMBERING FOR CABLE ASSEMBLY

(Please specify the part number when ordering.)



- ① Cable assembly
- ②③ Connector code

Code	Connector
FK	FSC type Plug connector (for 81 cable)
FG	FSC type Plug connector (for 76 cable)
XX	None

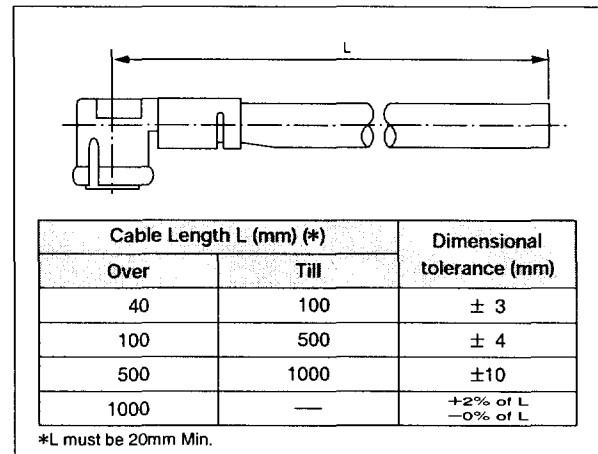
- ④ Cable code (See cable list on page 23 to 24 for detail.)

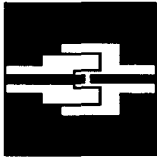
Code	Cable	Outer Diameter	Outer conductor construction	Insulation material	Minimum Bending radius
81	0.4D (*)	0.8mm	Single shield	FEP	4.8mm
76	0.8D (*)	1.25mm	Single shield	FEP	6mm

(\*) Based on Japanese Industrial Standard (JIS).

- ⑤⑥ Full length of cable assembly
- Length (mm) = ⑤ × 10<sup>⑥</sup>
- Ex. : 500mm = 500 × 10<sup>0</sup> → 5000  
 1000mm = 100 × 10<sup>1</sup> → 1001

### ■ CABLE LENGTH TOLERANCE





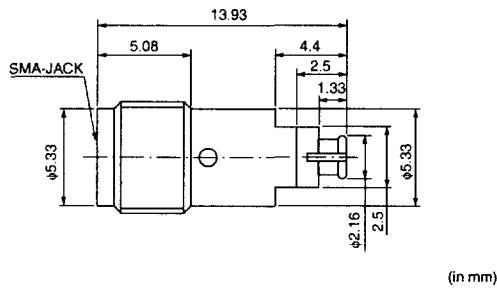
# COAXIAL CONNECTOR



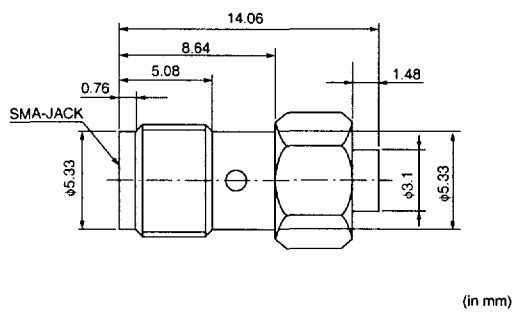
## Miniature SMT FSC Type

### ■SMA-FSC ADAPTERS

MM121454 (For FSC type receptacle)



MM121460 (For FSC type cable assembly)



### ■NOTICE

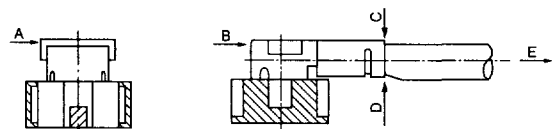
Disaccord with following notes could give mechanical damage and/or poor electrical performance.

- Mechanical Stress :**  
Stress to the connector should be limited as shown Fig.1.
- PCB mount pattern dimension :**  
Dimensions shown in Fig. 2 should be used for the PCB design.
- Disengagement and engagement.**  
Use tool P/N M19000 or M19004 (Fig.3). The connector to be disengaged and engaged should be pulled out or insert to the vertical direction using the tool. Do not try to pull out by the cable, because there is the possibility a wire breaks.
- Cable and connector handling :**  
Do not give a twisted torque to the cable and connector.
- Reflow soldering condition :**  
Reflow soldering should be carried out according to condition as shown in Fig.4.  
And the eutectic solder should be used.
- When MM7329-2700/MM7329-2702 was soldered on P.C.B.,**  
  - Use Rosin based flux, but not with strong acid flux (Chlorine content should be less than 0.20wt%).
  - Flux should be cleaned thoroughly.
- Washing :**  
In case of cleaning the receptacle, please dry out the receptacle immediately after cleaning.  
Do not wash cable assembly.
- Storage of temperature and humidity.**  
 Temperature : -10 to +40°C  
 Humidity : 30-80%RH

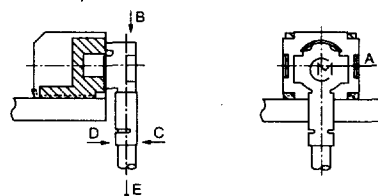
### ■STRESS TO THE CONNECTOR (Fig.1)

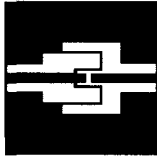
- Stress to the housing**  
Stress A and B : 4.9N (0.5kgf) max.
- Stress to the outer sleeve.**  
Stress C : 2.94N (0.3kgf) max.  
Stress D : 1.96N (0.2kgf) max.
- Cable pull strength.**  
Stress E : 4.9N (0.5kgf) max. (for 81 cable)  
: 7.84N (0.8kgf) max. (for 76 cable)

(MM7329-2700)



(MM7329-2702)



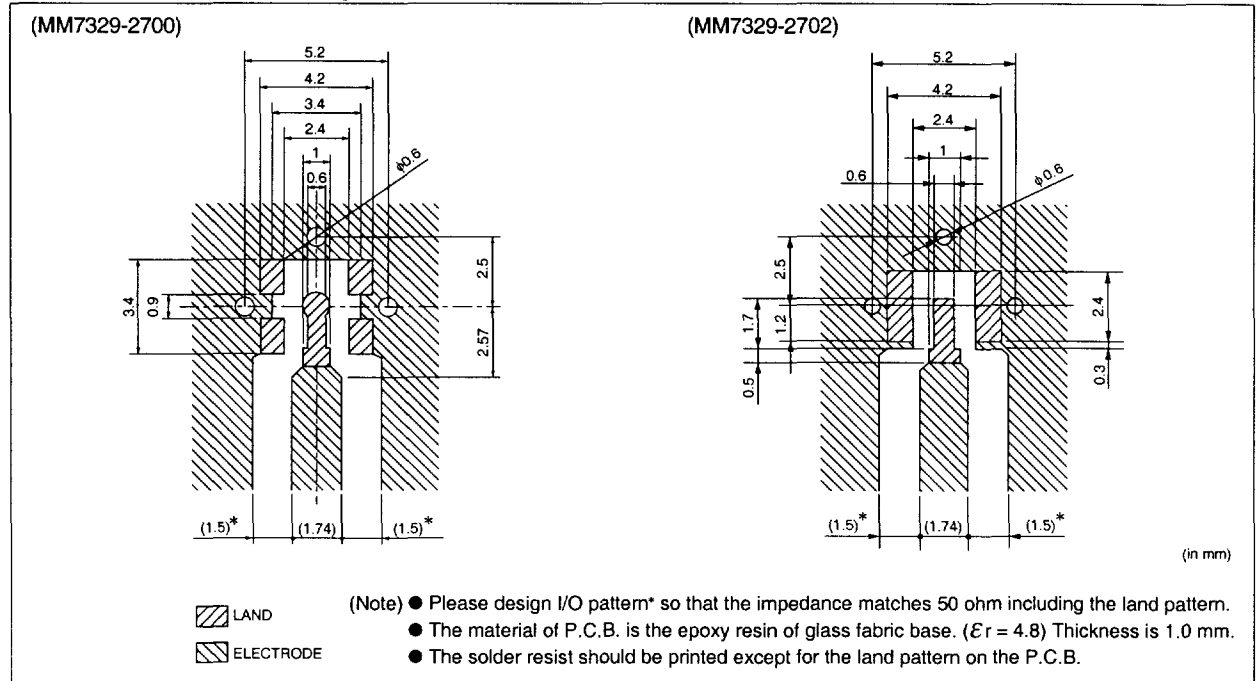


# COAXIAL CONNECTOR

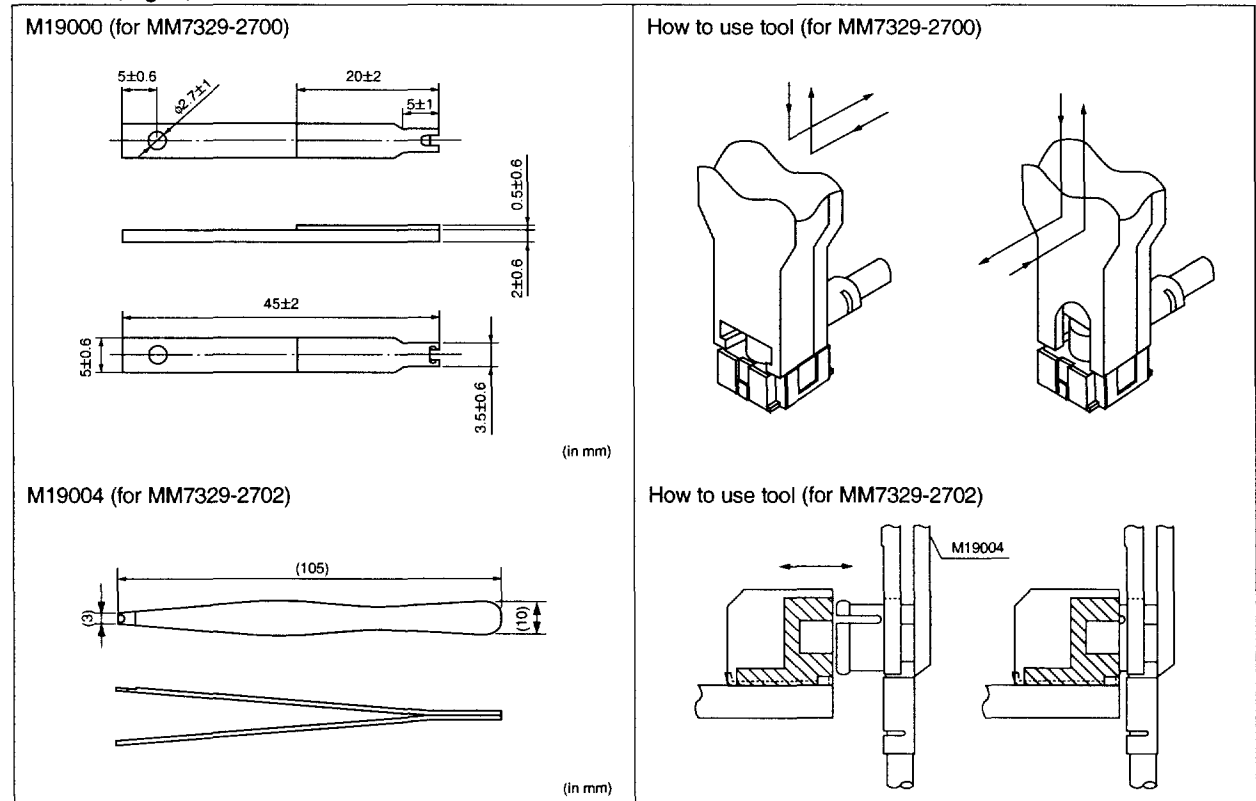


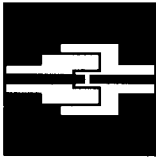
## Miniature SMT FSC Type

### ■ PATTERN DIMENSION (Fig. 2)



### ■ TOOL (Fig. 3)



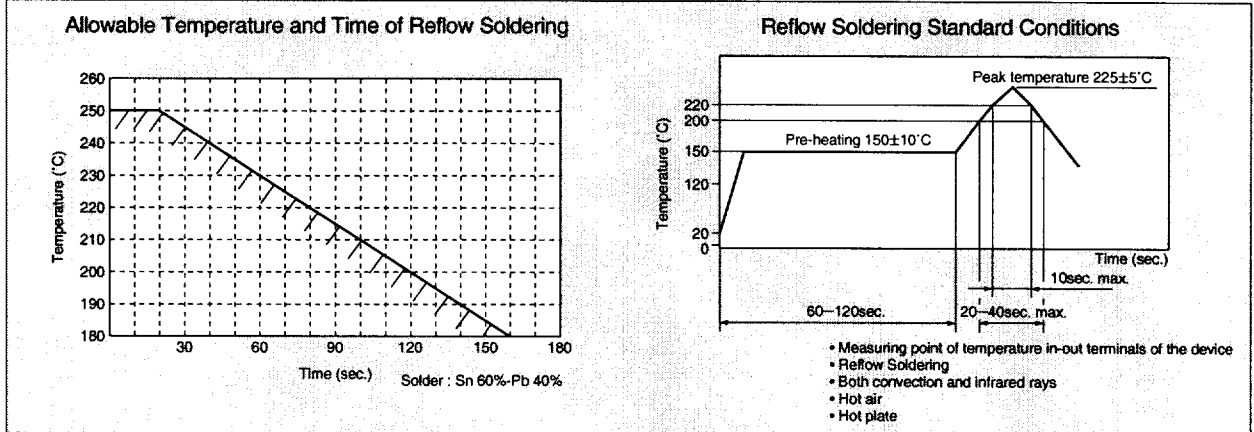


# COAXIAL CONNECTOR



## Miniature SMT FSC Type

### STANDARD REFLOW SOLDERING CONDITIONS (Fig. 4)



### DIMENSIONS OF PLASTIC TAPE (Fig. 5)

